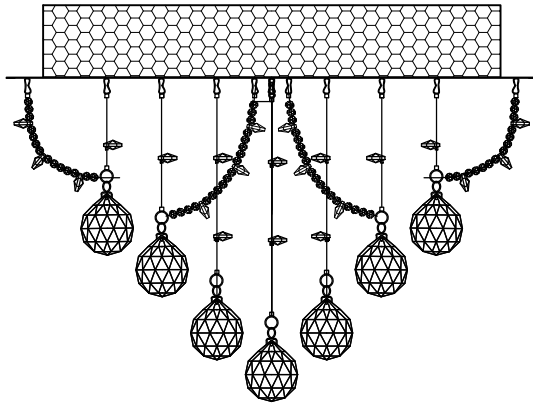


Trade Mark:
CRYSTAL WORLD INC

Product Name: Ceiling lamp
Model :5050C16C
120Vac, 60Hz,AC ONLY
Lamp size:Ø16"x10"H

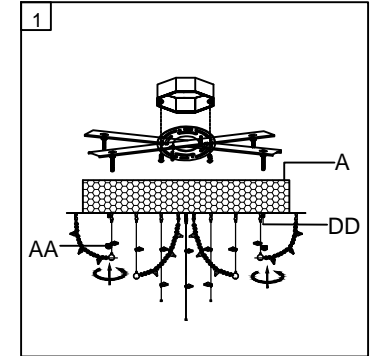


CEILING LAMP ASSEMBLY INSTRUCTIONS

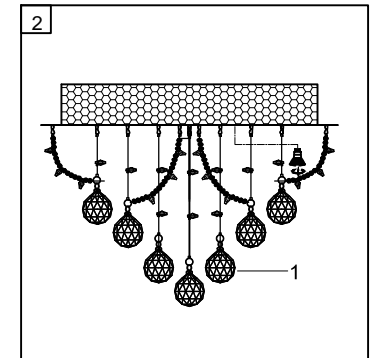
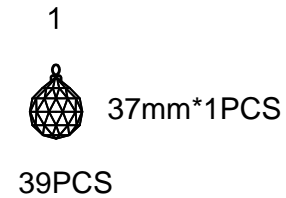
1. Place fixture(A) onto mounting screws (DD).secure with cap nuts (AA) .


Hardware Used

- AA Cap nut  X 4
DD Mounting screw  X 4



2. Please open the clear plastic bag carefully.and put the crystal (1) to the fixture .



3. Install light bulbs (not included).
Use bulb
120V GU10  **4*35W Max.**

