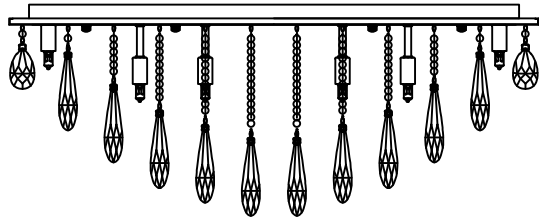


Trade Mark:
CRYSTAL WORLD INC

Product Name: Ceiling lamp
Model :5034C32C-S
120Vac, 60Hz,AC ONLY
Lamp size:L32"XW32"*H10"

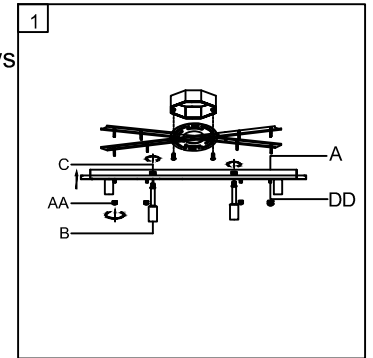


CEILING LAMP ASSEMBLY INSTRUCTIONS

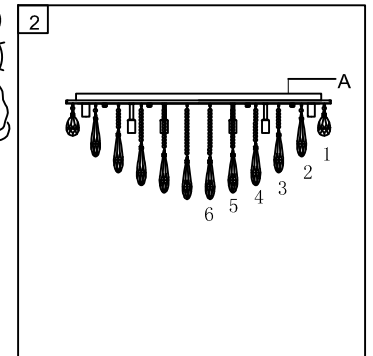
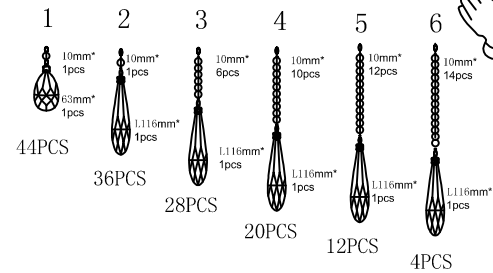
- lock (B) with hexagon nuts (C).
- Place fixture (A) onto mounting screws (DD).secure with cap nuts (AA).


Hardware Used

AA Cap nut  X 8
DD Mounting screw  X 8



- Please put the crystal(1) (2) (3) (4) (5) (6) to the fixture (A) .



- Install light bulbs (not included).
Use bulb
120V G9  20*40W Max.

