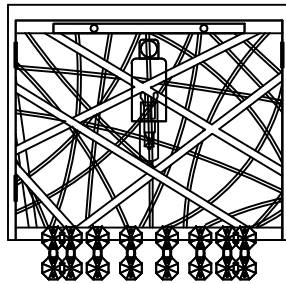


Trade Mark:  
CRYSTAL WORLD INC

Product Name: Wall lamp  
Model :5008W7C-A  
120Vac, 60Hz,AC ONLY  
Lamp Size: W7"\*H7"\*E4"



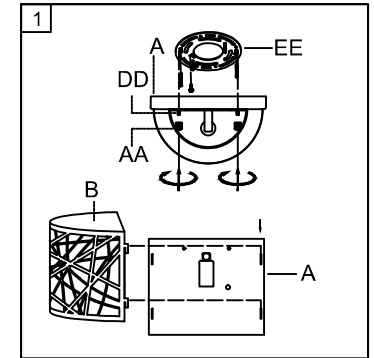
## WALL LAMP ASSEMBLY INSTRUCTIONS

1.Place fixture(A)onto mounting screws (DD).secure with cap nuts (AA).

2.Place (B) on the (A)

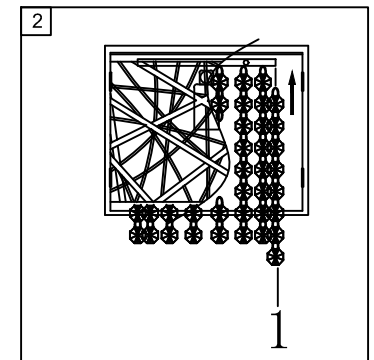
### Hardware Used

AA Cap nut		X 2
DD Mounting screw		X 2



2.Please hang the crystal(1) to the fixture (A).

1  
14mm\*8PCS  
8PCS



3.Install light bulbs ( not included).  
Use bulb

120V  G9 1x40W Max.

