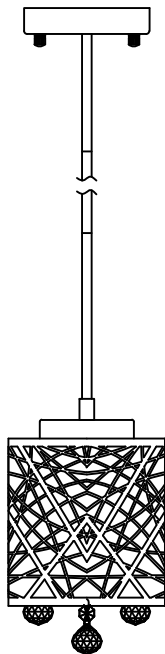


Trade Mark:
CRYSTAL WORLD INC



Product Name: Wall lamp
Model :5008P6C
120Vac, 60Hz, AC ONLY
Lamp Size: D6"*H10"~69"

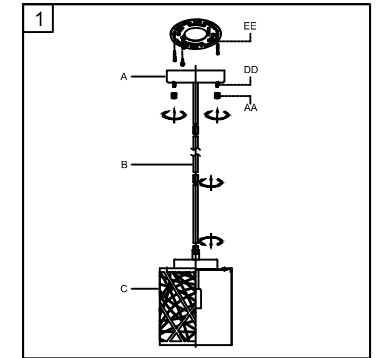


WALL LAMP ASSEMBLY INSTRUCTIONS

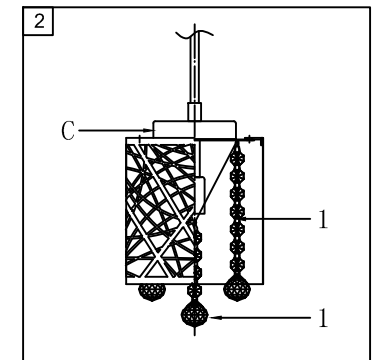
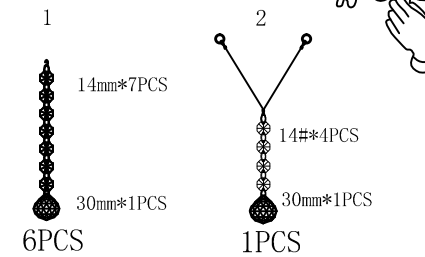
1. Place fixture (A) onto mounting screws (DD), secure with cap nuts (AA).
2. Place fix (A) with the (B), (B) with the (C)

Hardware Used

AA Cap nut		X 2
DD Mounting screw		X 2



2. Please hang the crystal (1) (2) to the fixture (C).



3. Install light bulbs (not included).
Use bulb

120V  G9 1x40W Max.

