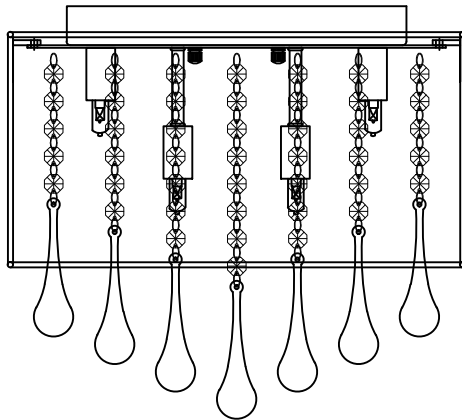


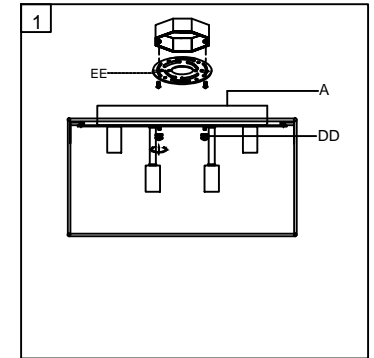
Trade Mark:
CRYSTAL WORLD INC

Product Name: Ceiling lamp
Model :5006C14C
120Vac, 60Hz,AC ONLY
Lamp size:Ø14"XH13"



CEILING LAMP ASSEMBLY INSTRUCTIONS

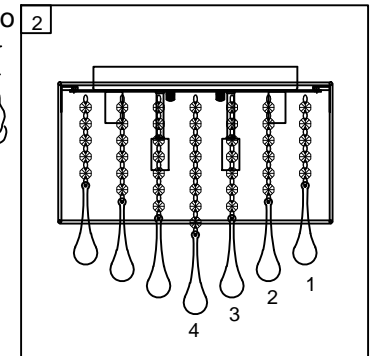
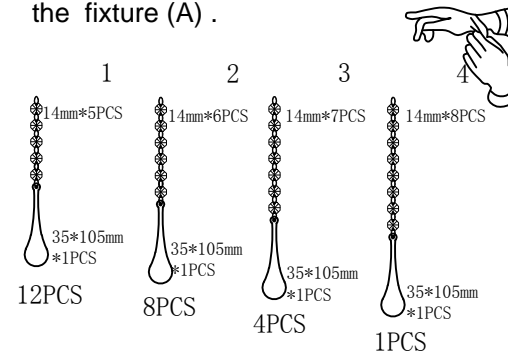
1. Place fixture (A) onto Butterfly (EE).
secure with Mounting screw (DD).



Hardware Used

AA Cap nut  X 2
DD Mounting screw  X 2

2. Please put the crystal (1) (2) (3) (4) to
the fixture (A) .



3. Install light bulbs (not included).

Use bulb
120V G9  6*40W Max.

