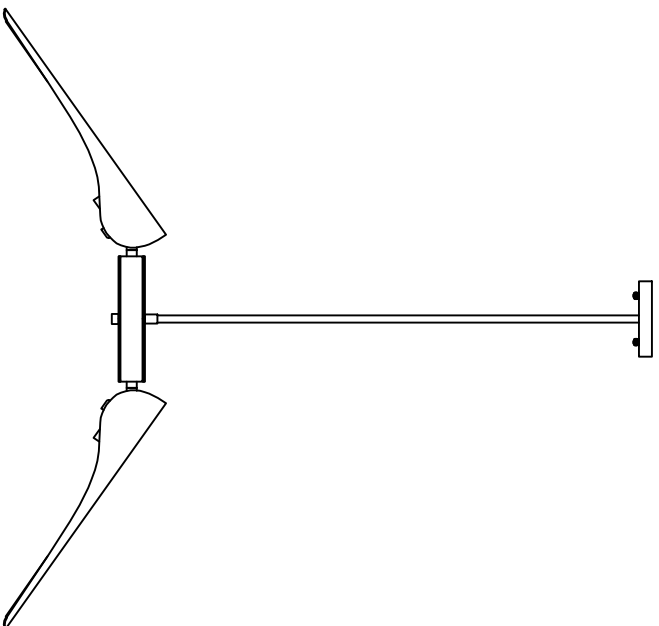


Trade Mark:
CRYSTAL WORLD INC

Product Name: Pendant lamp
Model :1019P43-6-143
120Vac, 60HZ,AC ONLY
Lamp Size:D43*H3"




c_{UL} US
Intertek
4006677

PENDANT LAMP ASSEMBLY INSTRUCTIONS

1. Install bulbs (NOT INCLUDED).USE 120V E26  6*60W Max.

