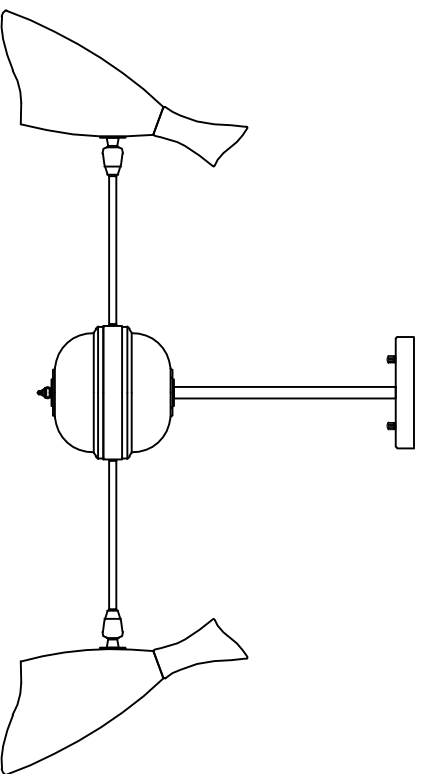


Trade Mark:
CRYSTAL WORLD INC

Product Name: Pendant lamp
Model : 1016P43-6-129
120Vac, 60Hz, AC ONLY
Lamp Size: ϕ 43" * H14"



PENDANT LAMP ASSEMBLY INSTRUCTIONS

1. Install bulb (NOT INCLUDED). USE 120V E26  60W Max +
120V G9  60W Max

