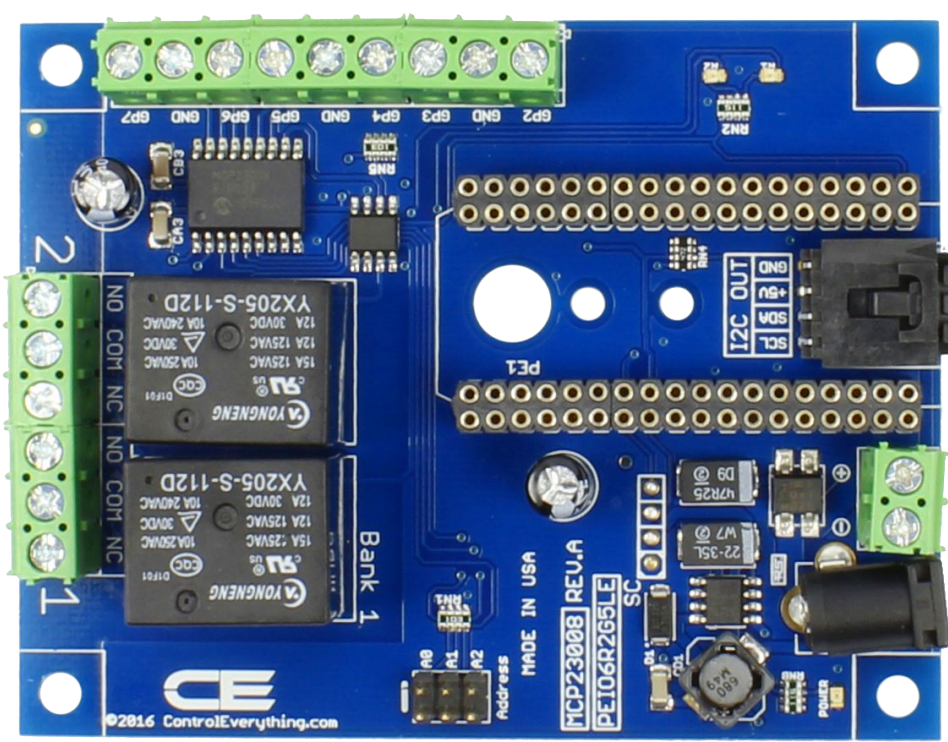


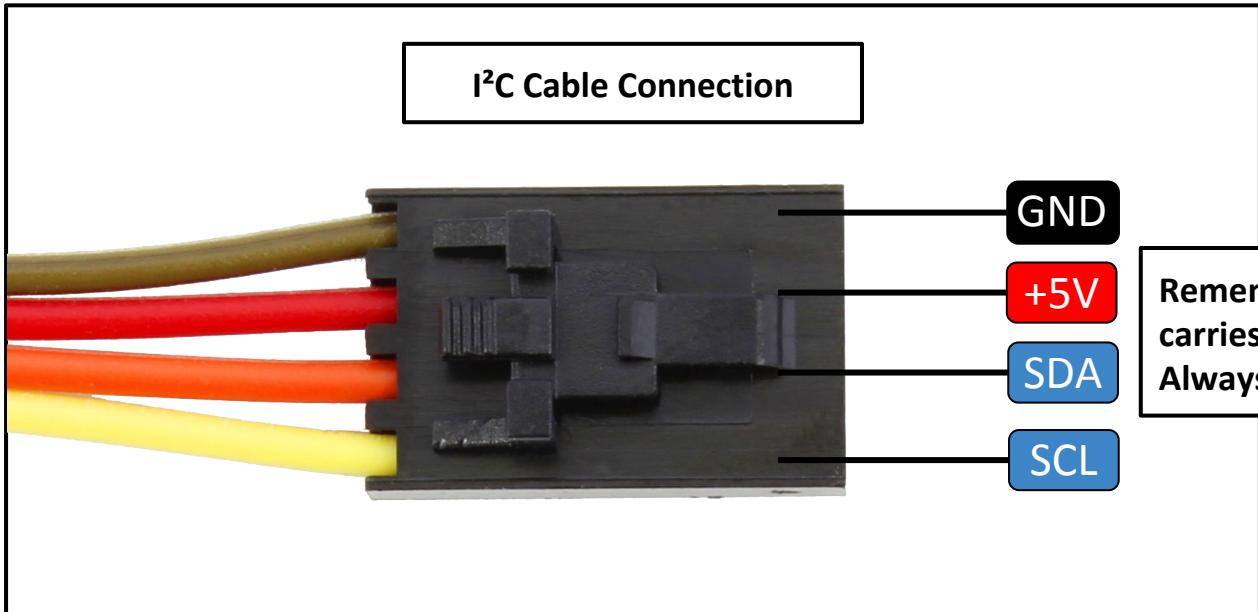
Slave Devices: (right)
Offer functionality, but do not have an on-board processor.

Master Devices: (below)
Include an on-board processor programmed to generate I²C signals.



Note: Master I²C Devices such as the controller shown (left) include 4.7K Pull-Up Resistors. All ControlEverything.com Slave devices have 4.7K Pull-Up jumper options, though they will not be needed if using our line of Master devices.

Note: All ControlEverything.com Master Devices (above) provide a regulated +5V on the I²C Port.



Remember: The Brown Wire carries the Ground. Outputs Always Connect to Inputs.