

Digital Relative Humidity Sensor with Temperature Output



- DFN type package
- Relative Humidity and Temperature Digital Output, I²C interface
- Fully calibrated
- Lead free sensor, reflow solderable
- Low power consumption
- Fast response time

DESCRIPTION

HTU20D(F), is a new digital humidity sensor with temperature output of MEAS. Setting new standards in terms of size and intelligence, it is embedded in a reflow solderable Dual Flat No leads (DFN) package with a small 3 x 3 x 0.9 mm foot print. This sensor provides calibrated, linearized signals in digital, I²C format.

HTU20D(F) digital humidity sensors are dedicated humidity and temperature plug and play transducers for OEM applications where reliable and accurate measurements are needed. Direct interface with a micro-controller is made possible with the module for humidity and temperature digital outputs. These low power sensor are designed for high volume and cost sensitive applications with tight space constraints.

Every sensor is individually calibrated and tested. Lot identification is printed on the sensor and an electronic identification code is stored on the chip – which can be read out by command. Low battery can be detected and a checksum improves communication reliability. The resolution of these digital humidity sensors can be changed by command (8/12bit up to 12/14bit for RH/T).

With MEAS' improvements and miniaturization of this sensor, the performance-to-price ratio has been improved – and eventually, any device should benefit from the cutting edge energy saving operation mode.

Optional PTFE filter/membrane (F) protects HTU20D digital humidity sensors against dust and water immersion, as well as against contamination by particles. PTFE filter/membrane preserves a high response time. The white PTFE filter/membrane is directly stuck on the sensor housing.

FEATURES

- Full interchangeability with no calibration required in standard conditions
- Instantaneous desaturation after long periods in saturation phase
- Compatible with automatized assembly processes, including Pb free and reflow processes
- Individual marking for compliance to stringent traceability requirements

APPLICATIONS

- Home Appliance
- Medical
- Printers
- Humidifier
- Multimedia: Smartphone, Tablet, ...

Digital Relative Humidity Sensor with Temperature Output

NOMENCLATURE

HTU2XY(F)

- With embedded PTFE filter/membrane: HTU2XYF
- Output Sensor:
Y = D for Digital, I2C protocol
= P for PWM interface, analog output
- Humidity accuracy:
X = 0: +/-5%RH tolerance @55%RH
= 1: +/-3%RH tolerance @55%RH



HTU2XY Modules



HTU2XYF Modules

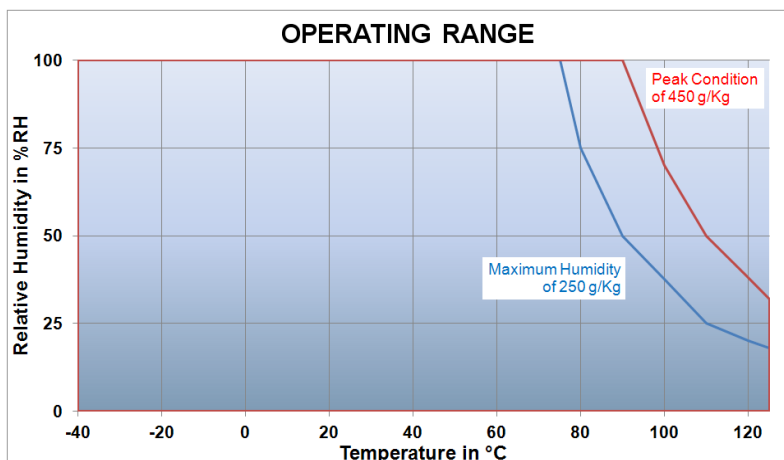
PERFORMANCE SPECS

MAXIMUM RATINGS

| Ratings | Symbol | Value | Unit |
|------------------------------------|------------------|-----------------|-----------------|
| Storage Temperature | T _{stg} | -40 to 125 | °C |
| Supply Voltage (Peak) | V _{cc} | 3.8V | V _{dc} |
| Humidity Operating Range | RH | 0 to 100 | %RH |
| Temperature Operating Range | T _a | -40 to +125 | °C |
| VDD to GND | | -0.3 to 3.6V | V |
| Digital I/O pins (DATA/SCK) to VDD | | -0.3 to VDD+0.3 | V |
| Input current on any pin | | -10 to +10 | mA |

Peak conditions: less than 10% of the operating time

Exposure to absolute maximum rating conditions for extended periods may affect the sensor reliability.



Digital Relative Humidity Sensor with Temperature Output

ELECTRICAL AND GENERAL ITEMS

(@T = 25°C, @V_{dd} = 3V)

| Characteristics | | Symbol | Min | Typ | Max | Unit |
|------------------------------------|-----------------------------|---|-----|------|------|------|
| Voltage Supply | | VDD | 1.5 | 3.0 | 3.6 | V |
| Current consumption ⁽¹⁾ | Sleep mode | idd | | 0.02 | 0.14 | μA |
| | Measuring | | 300 | 450 | 500 | μA |
| Power Dissipation | Sleep mode | | | 0.06 | 0.5 | μW |
| | Average 8bit ⁽²⁾ | | | 2.7 | | μW |
| Communication | | digital 2-wire interface, I ² C protocol | | | | |
| Heater | VDD=3V | 5.5mW/ΔT=+0.5-1.5°C | | | | |
| Storage | | -40°C/125°C | | | | |

⁽¹⁾ Conditions: V_{dd} = 3V, SCK= 400kHz at 25°C

⁽²⁾ Conditions: V_{dd} = 3V, SCK= 400kHz, Temp<60°C, duty cycle <10%

SENSOR PERFORMANCE

RELATIVE HUMIDITY

(@T = 25°C, @V_{dd} = 3V)

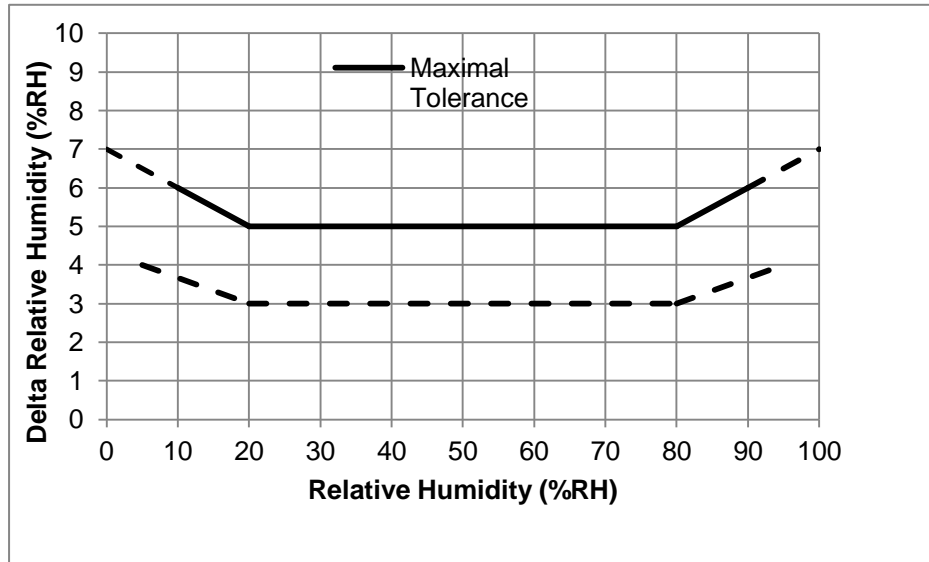
| Characteristics | | Symbol | Min | Typ | Max | Unit |
|--|---------|-----------------------|-------------|-------|-------|--------|
| Resolution | 12 bits | | | 0.04 | | %RH |
| | 8 bits | | | 0.7 | | %RH |
| Humidity Operating Range | | RH | 0 | | 100 | %RH |
| Relative Humidity Accuracy @25°C (20%RH to 80%RH) | typ | | | ±3 | | %RH |
| | max | | See graph 1 | | | %RH |
| Replacement | | fully interchangeable | | | | |
| Temperature coefficient (from 0°C to 80°C) | | T _{cc} | | -0.10 | -0.15 | %RH/°C |
| Humidity Hysteresis | | | | ±1 | | %RH |
| Measuring Time ⁽¹⁾ | 12 bits | | | 14 | 16 | ms |
| | 11 bits | | | 7 | 8 | ms |
| | 10 bits | | | 4 | 5 | ms |
| | 8 bits | | | 2 | 3 | ms |
| PSRR | | | | | ±10 | LSB |
| Recovery time after 150 hours of condensation | | t | | 10 | | s |
| Long term drift | | | | 0.5 | | %RH/yr |
| Response Time (at 63% of signal) from 33 to 75%RH ⁽²⁾ | | T _{RH} | | 5 | 10 | s |

⁽¹⁾ Typical values are recommended for calculating energy consumption while maximum values shall be applied for calculating waiting times in communication.

⁽²⁾ At 1m/s air flow

Digital Relative Humidity Sensor with Temperature Output

GRAPH1 : RELATIVE HUMIDITY ERROR BUDGET CONDITIONS AT 25°C



- HTU20D(F) sensors are specified for optimum accuracy measurements within 5 to 95%RH.
- Operation out of this range (< 5% or > 95% RH, including condensation) is however possible.

TEMPERATURE COEFFICIENT COMPENSATION EQUATION

Using the following temperature coefficient compensation equation will guarantee Relative Humidity accuracy given p.3, from 0°C to 80°C:

$$RH_{compensatedT} = RH_{actualT} + (25 - T_{actual}) \times CoeffTemp$$

- RH_{actualT} Ambient humidity in %RH, computed from HTU20D(F) sensor
- T_{actual} Humidity cell temperature in °C, computed from HTU20D(F) sensor
- CoeffTemp Temperature coefficient of the HTU20D(F) in %RH/°C

TEMPERATURE

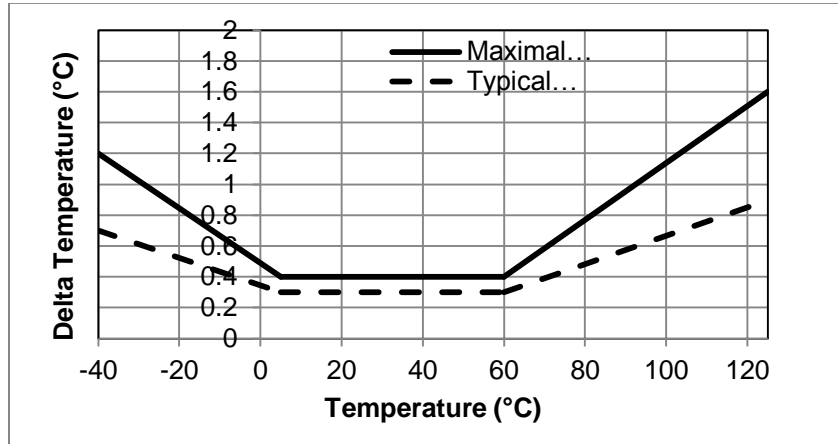
| Characteristics | | Symbol | Min | Typ | Max | Unit |
|---|--------|----------------|-----------------------|------|------|-------|
| Resolution | 14 bit | | | 0.01 | | °C |
| | 12 bit | | | 0.04 | | °C |
| Temperature Operating Range | | T | -40 | | +125 | °C |
| Temperature Accuracy @25°C | typ | | | ±0.3 | | °C |
| | max | | See graph 2 | | | °C |
| Replacement | | | fully interchangeable | | | |
| Measuring time ⁽¹⁾ | 14 bit | | | 44 | 50 | ms |
| | 13 bit | | | 22 | 25 | ms |
| | 12 bit | | | 11 | 13 | ms |
| | 11 bit | | | 6 | 7 | ms |
| PSSR | | | | | ±25 | LSB |
| Long term drift | | | | 0.04 | | °C/yr |
| Response Time (at 63% of signal) from 15°C to 45°C ⁽²⁾ | | T _T | | 10 | | s |

Digital Relative Humidity Sensor with Temperature Output

(1) Typical values are recommended for calculating energy consumption while maximum values shall be applied for calculating waiting times in communication.

(2) At 1m/s air flow

GRAPH 2 : TEMPERATURE ERROR BUDGET



USER GUIDE HTU20D(F)

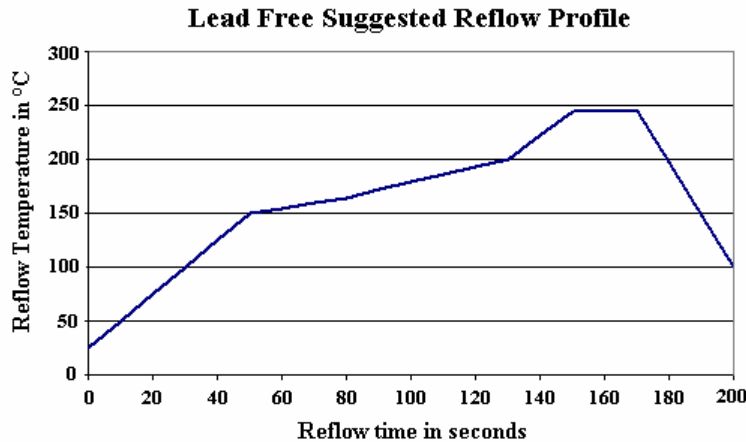
APPLICATION INFORMATION

- **Soldering instructions: Lead free reflow soldering recommended process**

For soldering HTU20D(F) sensor standard reflow soldering ovens may be used.

HTU20D(F) sensor as a humidity sensitive component (as classified by IPC/JEDEC J-STD-020 or equivalent documented procedure with peak temperature at 260°C during up to 30 seconds for Pb-free assembly in IR/convection reflow ovens) must be handled in a manner consistent with IPC/JEDEC J-STD-033 or an equivalent documented procedure. IPC-1601 provides humidity control, handling and packing of PCBs.

The HTU20D(F) sensor is qualified to withstand one lead free reflow soldering recommended process profile below according to JEDEC standard.

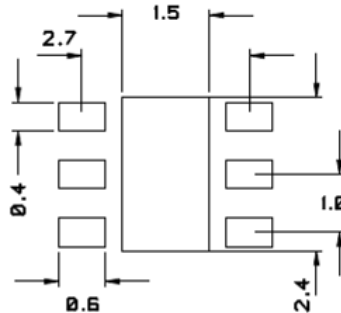


Mount parts within 24 hours after printing solder paste to avoid potential dry up.

For manual soldering, contact time must be limited to 5 seconds at up to 350°C.

Digital Relative Humidity Sensor with Temperature Output

For the design of the HTU20D(F) sensor footprint, it is recommended to use dimensions according to figure below.



Recommended footprint for HTU20D(F) sensors. Values in mm.

No specific conditioning of devices is necessary after soldering process, either manual or reflow soldering. Optimized performance in case of metrological measurements can be reached with stabilization of devices (24 hours at 25°C / 55%RH). Similar process is advised after exposure of the devices to extreme relative humidity conditions.

In no case, neither after manual nor reflow soldering, a board wash shall be applied. Therefore, it is strongly recommended to use a “no-clean” solder paste. In case of applications with exposure of the sensor to corrosive gases or condensed water (i.e. environments with high relative humidity) the soldering pads shall be sealed (e.g. conformal coating) to prevent loose contacts or short cuts.

- **Storage Conditions and Handling Instructions**

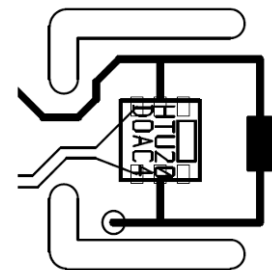
It is recommended to store HTU20D(F) sensor in its original packaging at following conditions: Temperature shall be in the range of -40°C – 125°C.

- **Temperature Effects**

Relative humidity reading strongly depends on temperature. Therefore, it is essential to keep humidity sensors at the same temperature as the air of which the relative humidity is to be measured.

In case of testing or qualification the reference sensor and test sensor must show equal temperature to allow for comparing humidity readings.

The HTU20D(F) sensor should be mounted in a way that prevents heat transfer from electronic sensor or that keeps it as low as possible. Advice can be ventilation, reduction of copper layers between the HTU20D(F) sensor and the rest of the PCB or milling a slit into the PCB around the sensor (1mm minimum width).



Example of HTU20D(F) sensor mounting with slits milled to minimize heat transfer

- **Materials Used for Sealing / Mounting**

For sealing and gluing (use sparingly), use high filled epoxy for electronic packaging and silicone. For any specific material please request to humidity.application@meas-spec.com. Window must remain uncovered.

- **Wiring Considerations and Signal Integrity**

Digital Relative Humidity Sensor with Temperature Output

Carrying the SCK and DATA signal parallel and in close proximity (e.g. in wires) for more than 10 cm may result in cross talk and loss of communication.

This may be resolved by routing VDD and/or GND between the two data signals and/or using shielded cables. Furthermore, slowing down SCK frequency will possibly improve signal integrity.

Power supply pins (VDD, GND) must be bypassed with a 100nF capacitor if wires are used. Capacitor should be placed as close as possible to the sensor.

- **ESD (ElectroStatic Discharge)**

ESD immunity is qualified according to:

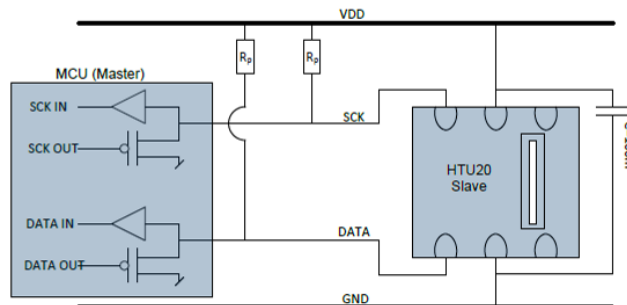
- JEDEC JESD22-A114 method (Human Body Model at $\pm 4\text{kV}$) for pads & open window
- JEDEC JESD22-A115 method (Machine Model $\pm 200\text{V}$)
- ESDA ESD-STM5.3.1-1999 and AEC-Q100-011 (charged device model, 750V corner pins, 500V other pins)

Latch-up immunity is provided at a force current of $\pm 100\text{mA}$ with $T_{\text{amb}}=25^\circ\text{C}$ according to JEDEC JESD78. For exposure beyond named limits the sensor need additional protection circuit.

INTERFACE SPECIFICATION

| N° | Function | Comment |
|-----|----------|-----------------------------|
| 1 | DATA | Serial Data, bidirectional |
| 2 | GND | Ground |
| 3 | NC | Must be left unconnected |
| 4 | NC | Must be left unconnected |
| 5 | VDD | Supply Voltage |
| 6 | SCK | Serial Clock, bidirectional |
| PAD | | Ground or unconnected |



Typical application circuit, including pull-up resistor R_p and decoupling of VDD and GND by a capacitor.

- **Power Pins (VDD, GND)**

Digital Relative Humidity Sensor with Temperature Output

The supply voltage of HTU20D(F) sensors must be in the range of 1.5VDC - 3.6VDC. Recommended supply voltage is 3VDC (regulated).

However the typical application circuit includes a pull-up resistor R on data wire and a 100nF decoupling capacitor between VDD and GND, placed as close as possible to the sensor.

- **Serial clock input (SCK)**

SCK is used to synchronize the communication between microcontroller and HTU20D(F) sensor. Since the interface consists of fully static logic there is no minimum SCK frequency.

- **Serial data (DATA)**

The DATA pin is used to transfer data in and out of the device. For sending a command to the HTU20D(F) sensor, DATA is valid on the rising edge of SCK and must remain stable while SCK is high. After the falling edge of SCK, the DATA value may be changed. For safe communication DATA shall be valid t_{SU} and t_{HD} before the rising and after the falling edge of SCK, respectively. For reading data from the HTU20D(F) sensor, DATA is valid t_{VD} after SCK has gone low and remains valid until the next falling edge of SCK.

An external pull-up resistor (e.g. 10k Ω) on SCK is required to pull the signal high only for open collector or open drain technology microcontrollers. In most of the cases, pull-up resistors are internally included in I/O circuits of microcontrollers.

ELECTRICAL CHARACTERISTICS

- **Input/output DC characteristics**

(VDD=3V, Temperature=25°C unless otherwise noted)

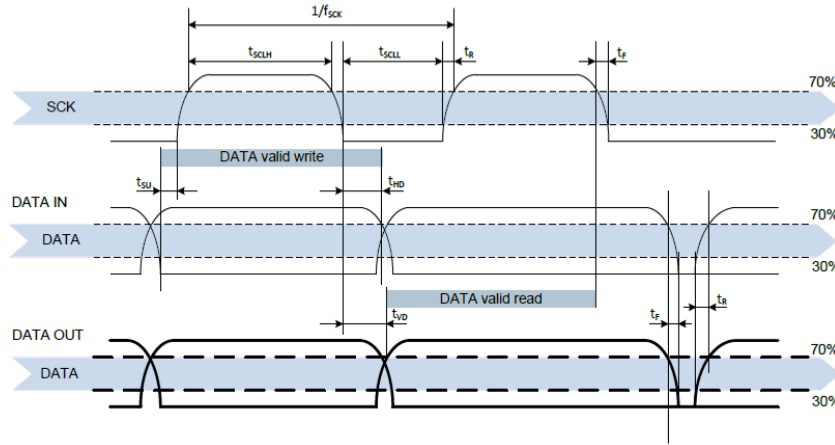
| Characteristics | Symbol | Min | Typ | Max | Unit |
|--|--------|--------|-----|--------|------|
| Low level output voltage VDD=3V -4mA<IOL<0mA | VOL | 0 | - | 0.4 | V |
| High level output voltage | VOH | 70%VDD | - | VDD | V |
| Low level input voltage | VIL | 0 | - | 30%VDD | V |
| High level input voltage | VIH | 70%VDD | - | VDD | V |

- **Timing specifications of digital input/output pads for I²C fast mode**

| Characteristics | Symbol | Min | Typ | Max | Unit |
|-----------------------------|--------------------|-----|-----|-----|---------|
| SCK frequency | f _{SCK} | 0 | - | 0.4 | MHz |
| SCK high time | t _{SCKLH} | 0.6 | - | - | μ s |
| SCK low time | t _{SCKL} | 1.3 | - | - | μ s |
| DATA set-up time | t _{SU} | 100 | - | - | ns |
| DATA hold-time | t _{HD} | 0 | - | 900 | ns |
| DATA valid-time | t _{VD} | 0 | - | 400 | ns |
| SCK/DATA fall time | t _F | 0 | - | 100 | ns |
| SCK/DATA rise time | t _R | 0 | - | 300 | ns |
| Capacitive load on bus line | C _B | 0 | - | 500 | pF |

- **Timing diagram for digital input/output pads**

Digital Relative Humidity Sensor with Temperature Output



DATA directions are seen from the HTU20D(F) sensor. DATA line in bold is controlled by the sensor. DATA valid read time is triggered by falling edge of anterior toggle.

COMMUNICATION PROTOCOL WITH HTU20D(F) SENSOR

- Start-up sensor

The HTU20D(F) sensor requires a voltage supply between 1.5V and 3.6V. After power up, the device needs at most 15ms while SCK is high for reaching idle state (sleep mode), i.e to be ready accepting commands from the MCU. No command should be sent before that time. Soft reset is recommended at start, refer p.11.

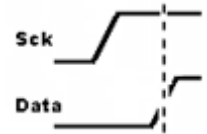
- Start sequence (S)

To initiate transmission, a start bit has to be issued. It consists of a lowering of the DATA line while SCK is high followed by lowering SCK.



- Stop sequence (P)

To stop transmission, a stop bit has to be issued. It consists of a heightening of the DATA line while SCK is high preceded by a heightening of the SCK.



HTU20D(F) SENSOR LIST OF COMMANDS AND REGISTER ADDRESSES

For sample source code, please request to humidity.application@meas-spec.com.

- Sending a command

After sending the start condition, the subsequent I²C header consist of a 7-bit I²C device address 0x40 and a DATA direction bit ('0' for Write access :0x80). The HTU20D(F) sensor indicates the proper reception of a byte by pulling the DATA pin low (ACK bit) after the falling edge of the 8th SCK clock. After the issue of a measurement command (0xE3 for temperature, 0xE5 for relative humidity), the MCU must wait for the measurement to complete. The basic commands are given in the table below:

| Command | Code | Comment |
|---------|------|---------|
|---------|------|---------|

Digital Relative Humidity Sensor with Temperature Output

| | | |
|---------------------------------|------|----------------|
| Trigger Temperature Measurement | 0xE3 | Hold master |
| Trigger Humidity Measurement | 0xE5 | Hold master |
| Trigger Temperature Measurement | 0xF3 | No Hold master |
| Trigger Humidity Measurement | 0xF5 | No Hold master |
| Write user register | 0xE6 | |
| Read user register | 0xE7 | |
| Soft Reset | 0xFE | |

- **Hold/No Hold master modes**

There are two different operation modes to communicate with the HTU20D(F) sensor: Hold Master mode and No Hold Master mode.

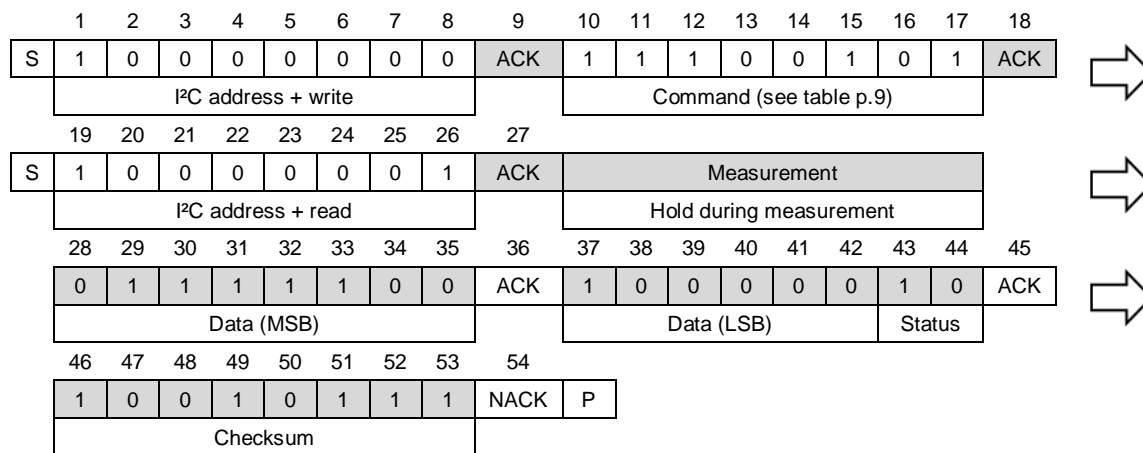
In the first case, the SCK line is blocked (controlled by HTU20D(F) sensor) during measurement process while in the second case the SCK line remain open for other communication while the sensor is processing the measurement.

No Hold Master mode allows for processing other I²C communication tasks on a bus while the HTU20D(F) sensor is measuring. A communication sequence of the two modes is available below.

In the Hold Master mode, the HTU20D(F) pulls down the SCK line while measuring to force the master into a wait state. By releasing the SCK line, the HTU20D(F) sensor indicates that internal processing is completed and that transmission may be continued.

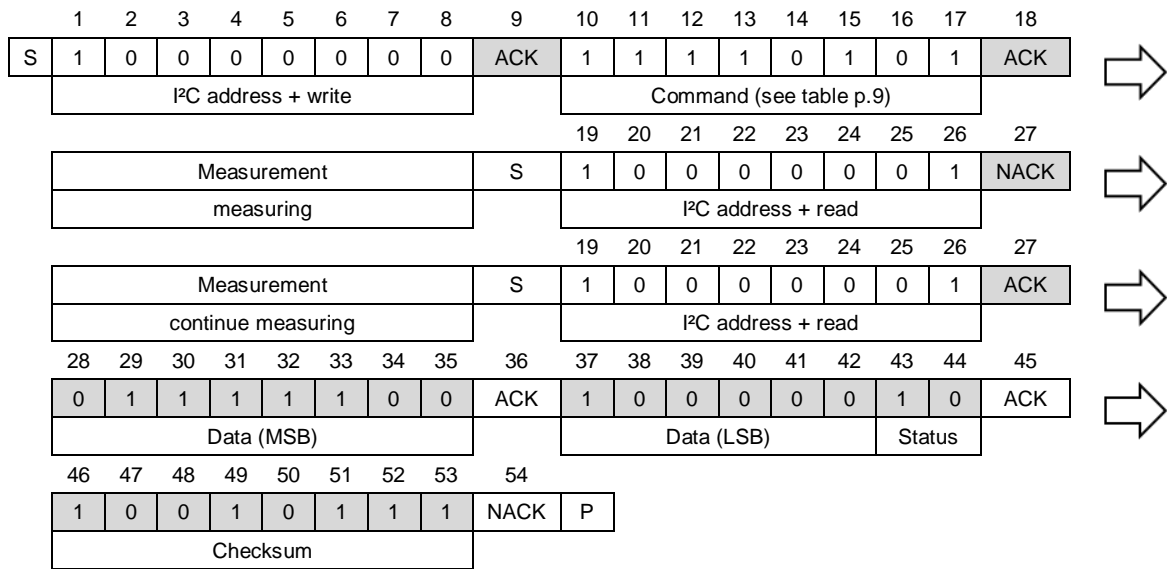
In the No Hold Master mode, the MCU has to poll for the termination of the internal processing of the HTU20D(F) sensor. This is done by sending a start condition followed by the I²C header ('1' for Read access : 0x81) as shown below. If the internal processing is finished, the HTU20D(F) sensor acknowledges the poll of the MCU and data can be read by the MCU. If the measurement processing is not finished, the HTU20D(F) sensor answers no ACK bit and start condition must be issued once more.

For both modes, since the maximum resolution of the measurement is 14 bits, the two last least significant bits (LSBs, bits 43 and 44) are used for transmitting status information. Bit 1 of the two LSBs indicates the measurement type ('0': temperature, '1': humidity). Bit 0 is currently not assigned.



Hold Master communication sequence

Digital Relative Humidity Sensor with Temperature Output



No Hold Master communication sequence

Grey blocks are controlled by HTU20D(F) sensor.

For Hold Master sequence, bit 45 may be changed to NACK followed by a stop condition to omit checksum transmission.

For No Hold Master sequence, if measurement is not completed upon “read” command, sensor does not provide ACK on bit 27 (more of these iterations are possible). If bit 45 is changed to NACK followed by stop condition, checksum transmission is omitted.

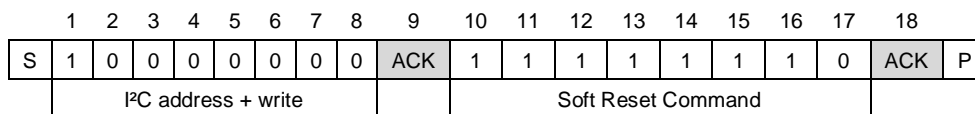
In those examples, the HTU20D(F) sensor output is $S_{RH} = '0111'1100'1000'0000$ (0x7C80). For the calculation of physical values status bits must be set to '0'. Refer to “Conversion of signal outputs” section p.14.

The maximum duration for measurement depends on the type of measurement and resolution chosen. Maximum values shall be chosen for the communication planning of the MCU. Refer to the table p.3 and p.4 regarding measuring time specifications.

I²C communication allows for repeated start conditions without closing prior sequence with stop condition.

- **Soft reset**

This command is used for rebooting the HTU20D(F) sensor switching the power off and on again. Upon reception of this command, the HTU20D(F) sensor system reinitializes and starts operation according to the default settings with the exception of the heater bit in the user register. The soft reset takes less than 15ms.



Grey blocks are controlled by HTU20D(F) sensor.

Digital Relative Humidity Sensor with Temperature Output

- User register**

The content of user register is described in the table below. Reserved bits must not be changed and default values of respective reserved bits may change over time without prior notice. Therefore, for any writing to user register, default values of reserved bits must be read first.

The “End of Battery” alert/status is activated when the battery power falls below 2.25V.

The heater is intended to be used for functionality diagnosis: relative humidity drops upon rising temperature. The heater consumes about 5.5mW and provides a temperature increase of about 0.5-1.5°C.

OTP reload is a safety feature and load the entire OTP settings to the register, with the exception of the heater bit, before every measurement. This feature is disabled per default and it is not recommended for use. Please use soft reset instead as it contains OTP reload.

| Bit | #Bits | Description/Coding | Default | | | | | | | | | | | | | | | | | | | | |
|---------|-------|--|---------|-------|----|------|---|---|---------|---------|---|---|--------|---------|---|---|---------|---------|---|---|---------|---------|------|
| 7,0 | 2 | Measurement resolution <table border="1" style="margin-left: 20px;"> <thead> <tr> <th>Bit 7</th> <th>Bit 0</th> <th>RH</th> <th>Temp</th> </tr> </thead> <tbody> <tr> <td>0</td> <td>0</td> <td>12 bits</td> <td>14 bits</td> </tr> <tr> <td>0</td> <td>1</td> <td>8 bits</td> <td>12 bits</td> </tr> <tr> <td>1</td> <td>0</td> <td>10 bits</td> <td>13 bits</td> </tr> <tr> <td>1</td> <td>1</td> <td>11 bits</td> <td>11 bits</td> </tr> </tbody> </table> | Bit 7 | Bit 0 | RH | Temp | 0 | 0 | 12 bits | 14 bits | 0 | 1 | 8 bits | 12 bits | 1 | 0 | 10 bits | 13 bits | 1 | 1 | 11 bits | 11 bits | '00' |
| Bit 7 | Bit 0 | RH | Temp | | | | | | | | | | | | | | | | | | | | |
| 0 | 0 | 12 bits | 14 bits | | | | | | | | | | | | | | | | | | | | |
| 0 | 1 | 8 bits | 12 bits | | | | | | | | | | | | | | | | | | | | |
| 1 | 0 | 10 bits | 13 bits | | | | | | | | | | | | | | | | | | | | |
| 1 | 1 | 11 bits | 11 bits | | | | | | | | | | | | | | | | | | | | |
| 6 | 1 | Status: End of Battery ⁽¹⁾ '0': VDD>2.25V '1': VDD<2.25V | '0' | | | | | | | | | | | | | | | | | | | | |
| 3, 4, 5 | 3 | Reserved | '0' | | | | | | | | | | | | | | | | | | | | |
| 2 | 1 | Enable on-chip heater | '0' | | | | | | | | | | | | | | | | | | | | |
| 1 | 1 | Disable OTP reload | '1' | | | | | | | | | | | | | | | | | | | | |

⁽¹⁾ This status bit is updated after each measurement

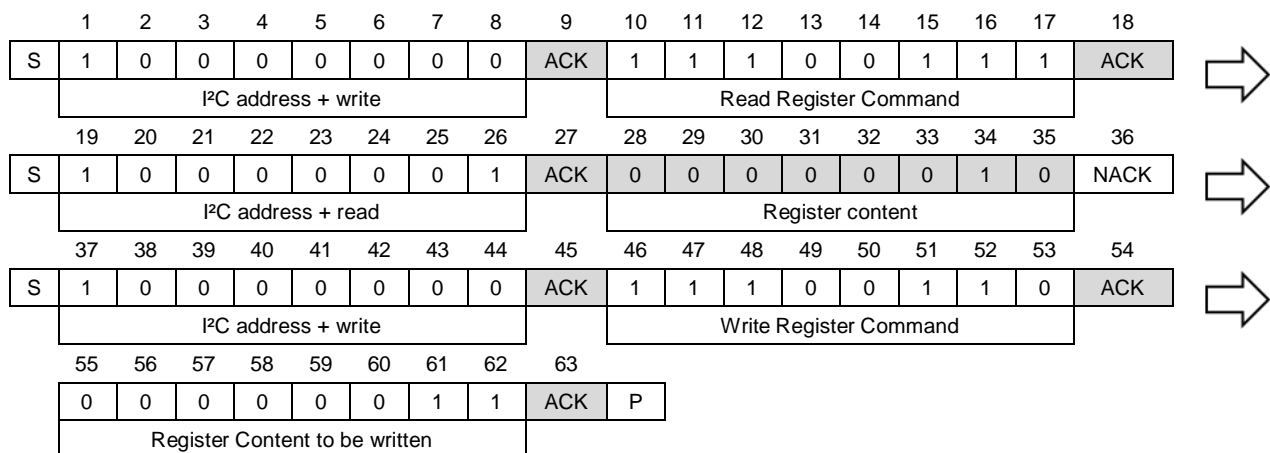
Cut-off value for “End of Battery” signal may vary by ±0.1V.

Reserved bits must not be changed.

OTP reload active loads default settings after each time a measurement command is issued.

- I²C communication reading and writing the user register example**

In this example, the resolution is set to 8 bits / 12 bits (for RH/Temp) from default configuration.



Grey blocks are controlled by HTU20D(F) sensor.

Digital Relative Humidity Sensor with Temperature Output

- **CRC Checksum**

HTU20D(F) sensor provides a CRC-8 checksum for error detection. The polynomial used is $X^8 + X^5 + X^4 + 1$.

Basic Considerations

CRC stands for Cyclic Redundancy Check. It is one of the most effective error detection schemes and requires a minimal amount of resources.

The types of errors that are detectable with CRC that is implemented in HTU20D(F) sensors are:

- Any odd number of errors anywhere within the data transmission
- All double-bit errors anywhere within the transmission
- Any cluster of errors that can be contained within an 8-bit window (1-8 bits incorrect)
- Most larger clusters of errors

A CRC is an error-detecting code commonly used in digital networks and storage devices to detect accidental changes to raw data.

Blocks of data entering these systems get a short check value attached, based on the remainder of a polynomial division of their contents; on retrieval the calculation is repeated, and corrective action can be taken against presumed data corruption if the check values do not match.

CRCs are so called because the check (data verification) value is a redundancy (it expands the message without adding information) and the algorithm is based on cyclic codes. CRCs are popular because they are simple to implement in binary hardware, easy to analyze mathematically, and particularly good at detecting common errors caused by noise in transmission channels. Because the check value has a fixed length, the function that generates it is occasionally used as a hash function.

CRC for HTU20D(F) sensors using I²C Protocol

When HTU20D(F) sensors are run by communicating with the standard I²C protocol, an 8-bit CRC can be used to detect transmission errors. The CRC covers all read data transmitted by the sensor. CRC properties for HTU20D(F) sensors communicating with I²C protocol are listed in the table below.

| CRC with I ² C protocol | |
|------------------------------------|-----------------------|
| Generator polynomial | $X^8 + X^5 + X^4 + 1$ |
| Initialization | 0x00 |
| Protected data | Read data |
| Final Operation | none |

CRC calculation

To compute an n-bit binary CRC, line the bits representing the input in a row, and position the (n+1)-bit pattern representing the CRC's divisor (called a "polynomial") underneath the left-hand end of the row.

This is first padded with zeroes corresponding to the bit length n of the CRC.

If the input bit above the leftmost divisor bit is 0, do nothing. If the input bit above the leftmost divisor bit is 1, the divisor is XORed into the input (in other words, the input bit above each 1-bit in the divisor is toggled). The divisor is then shifted one bit to the right, and the process is repeated until the divisor reaches the right-hand end of the input row.

Since the left most divisor bit zeroed every input bit it touched, when this process ends the only bits in the input row that can be nonzero are the n bits at the right-hand end of the row. These n bits are the remainder of the division step, and will also be the value of the CRC function.

Digital Relative Humidity Sensor with Temperature Output

The validity of a received message can easily be verified by performing the above calculation again, this time with the check value added instead of zeroes. The remainder should equal zero if there are no detectable errors.

CRC examples

The input message 11011100 (0xDC) will have as result 01111001 (0x79).

The input message 01101000 00111010 (0x683A: 24.7°C) will have as result 01111100 (0x7C).

The input message 01001110 10000101 (0x4E85: 32.3%RH) will have as result 01101011 (0x6B).

CONVERSION OF SIGNAL OUTPUTS

Default resolution is set to 12-bit relative humidity and 14-bit temperature readings. Measured data are transferred in two byte packages, i.e. in frames of 8-bit length where the most significant bit (MSB) is transferred first (left aligned). Each byte is followed by an acknowledge bit. The two status bits, the last bits of LSB, must be set to '0' before calculating physical values.

To accommodate/adapt any process variation (nominal capacitance value of the humidity die), tolerances of the sensor above 100%RH and below 0%RH must be considered. As a consequence:

- 118%RH corresponds to 0xFF which is the maximum RH digital output that can be sent out from the ASIC. RH output can reach 118%RH and above this value, there will have a clamp of the RH output to this value.
- -6%RH corresponds to 0x00 which is the minimum RH digital output that can be sent out from the ASIC. RH output can reach -6%RH and below this value, there will have a clamp of the RH output to this value.

- **Relative Humidity conversion**

With the relative humidity signal output S_{RH} , the relative humidity is obtained by the following formula (result in %RH), no matter which resolution is chosen:

$$RH = -6 + 125 \times \frac{S_{RH}}{2^{16}}$$

In the example given p.10, the transferred 16-bit relative humidity data is 0x7C80: 31872. The relative humidity results to be 54.8%RH.

- **Temperature conversion**

The temperature T is calculated by inserting temperature signal output S_{Temp} into the following formula (result in °C), no matter which resolution is chosen:

$$Temp = -46.85 + 175.72 \times \frac{S_{Temp}}{2^{16}}$$

Digital Relative Humidity Sensor with Temperature Output

APPLICATION: DEW POINT TEMPERATURE MEASUREMENT

The **dew point** is the temperature at which the water vapor in the air becomes saturated and condensation begins.

The dew point is associated with relative humidity. A high relative humidity indicates that the dew point is closer to the current air temperature. Relative humidity of 100% indicates that the dew point is equal to the current temperature (and the air is maximally saturated with water). When the dew point stays constant and temperature increases, relative humidity will decrease.

Dew point temperature of the air is calculated using Ambient Relative Humidity and Temperature measurements from HTU20D(F) sensor with following formulas given below:

Partial Pressure ($PP_{T_{amb}}$) formula from Ambient Temperature:

$$PP_{T_{amb}} = 10^{\left[A - \frac{B}{(T_{amb} + C)} \right]}$$

Dew point Temperature (T_d) formula from Partial Pressure ($PP_{T_{amb}}$):

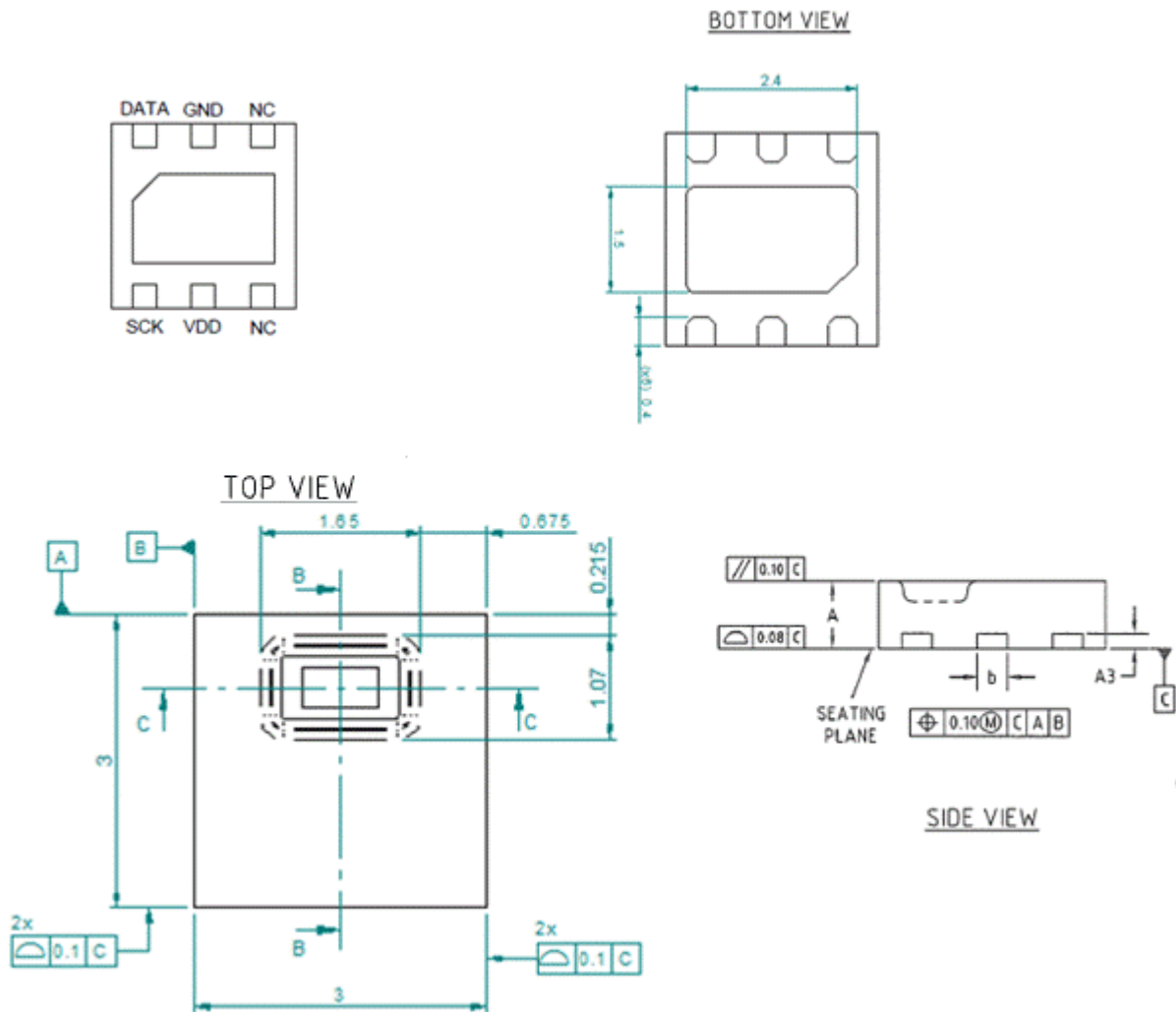
$$T_d = - \left[\frac{B}{\log_{10} \left(RH_{amb} \times \frac{PP_{T_{amb}}}{100} \right) - A} + C \right]$$

| | |
|----------------|---|
| $PP_{T_{amb}}$ | Partial Pressure in mmHg at ambient temperature (T_{amb}) |
| RH_{amb} | Ambient humidity in %RH, computed from HTU20D(F) sensor |
| T_{amb} | Humidity cell temperature in °C, computed from HTU20D(F) sensor |
| T_d | Calculated Dew Point in °C |
| A, B, C | Constants: A=8.1332; B=1762.39; C=235.66 |

Digital Relative Humidity Sensor with Temperature Output

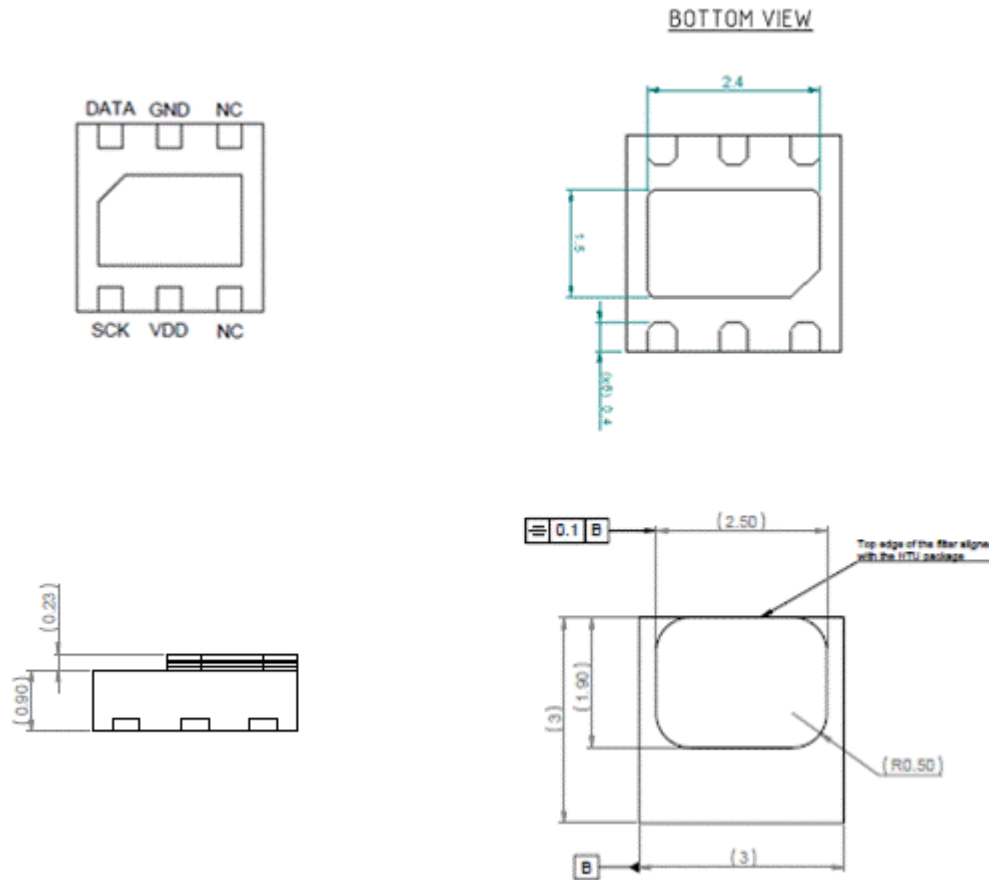
PACKAGE OUTLINE

- HTU20D Sensor Dimensions



Digital Relative Humidity Sensor with Temperature Output

- HTU20DF Sensor Dimensions



Dimensions are given in mm, tolerances are ± 0.1 mm. The die pad (thermal center pad) is internally connected to GND.

- Packaging Type

HTU20D(F) sensors are provided in DFN packaging. DFN stands for Dual Flat No leads.

The HTU20D(F) sensor chip is mounted to a lead frame made of Cu and plated with Ni/Pd/Au. Chip and lead frame are over molded by green epoxy-based mold compound. Please note that side walls of sensors are diced and hence lead frame at diced edge is not covered with respective protective coating.

The total weight of the sensor is 0.025g.

- Traceability Information

Digital Relative Humidity Sensor with Temperature Output

All HTU20D(F) sensors are laser marked with an alphanumeric, five-digit code on the sensor as pictured below.

The marking on the HTU20D(F) sensor consists of two lines with five digits each:



- The first line denotes the sensor type: HTU20.
- The second line denotes several information as:
 - The first digit of the second line defines the output mode:
 - D = digital and I²C
 - P = PWM
 - The second digit defines the manufacturing year: 2 = 2012, 3 = 2013, etc.
 - The last three digits represent an alphanumeric tracking code. That code can be decoded by MEAS only and allows for tracking on batch level through production, calibration and testing and will be provided upon justified request.



Laser marking on HTU20D(F) sensor


Reels are also labeled, as displayed below and give additional traceability information.


Made in France




HPPxxxxxxx - IC 2X Humidity & Temperature

Lot No. : 2XY(F)-TTTTTTTTT



Quantity: QQQQ 

Datecode: YYDDD



Digital Relative Humidity Sensor with Temperature Output

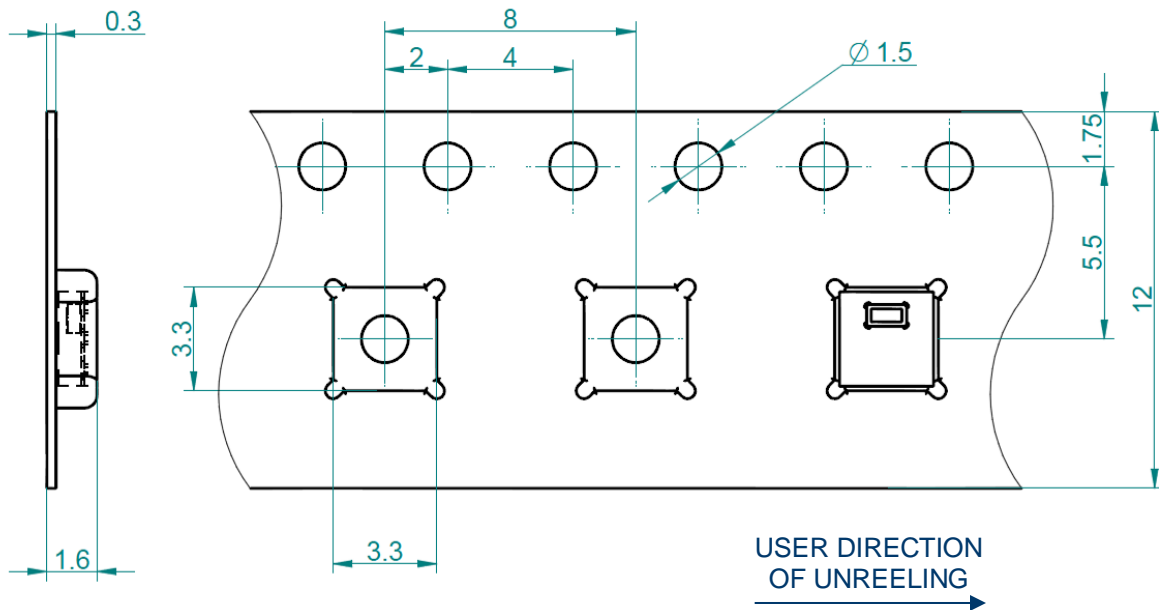
With:

| | |
|-----------|--|
| XX: | Sensor Type (21 for HTU20D(F)) |
| O: | Output mode (D = Digital, P = PWM) |
| (F): | Sensor with PTFE membrane (only for HTU21DF) |
| NN: | Product revision number |
| TTTTTTTT: | MEAS Traceability Code |
| YY: | Two last digits of the year |
| DDD: | Day of the year |
| QQQQ: | Quantity per reel (5000 units) |

- Tape and Reel Packaging**

HTU20D(F) sensors are shipped in tape & reel packaging, sealed into antistatic ESD bags.

Standard packaging size is 5000 units per reel. Each reel contains 440mm (55 pockets) header tape and 200mm (25 pockets) trailer tape. The drawing of the packaging tapes with sensor orientation is shown in the picture below.



- Packaging reels**

For 5000 units: outside diameter of 13" (330mm) and a 1/2" (13mm) diameter arbor hole.

Digital Relative Humidity Sensor with Temperature Output

ORDERING INFORMATION

**** HTU20D – I.C 20D RH/T MODULE ****
PACKAGE: TAPE AND REEL M.P.Q OF 400 PIECES, 1500 PIECES OR 5000 PIECES

- **HPP845E034R4 – I.C 20D RH/T MODULE in tape and reel of 400 pieces**
- **HPP845E034R1 – I.C 20D RH/T MODULE in tape and reel of 1500 pieces**
- **HPP845E034R5 – I.C 20D RH/T MODULE in tape and reel of 5000 pieces**

**** HTU20DF – I.C 20DF RH/T MODULE WITH PTFE MEMBRANE ****
PACKAGE: TAPE AND REEL M.P.Q OF 5000 PIECES

- **HPP845E134R5 - I.C 20DF RH/T MODULE in tape and reel of 5000 pieces**

**** I.C 20D DEMOKIT – HPP845KIT ****

This is a USB device for MEAS Model HTU2XD Digital Relative Humidity & Temperature sensor demonstration. Supporting up to 4 sensor acquisitions at the same time, it shows the consistency of different sensors and test sensor functions conveniently.

For detailed information, please request to humidity.application@meas-spec.com.

Customer Service Contact Details

Measurement Specialties, Inc - MEAS France
 Impasse Jeanne Benozzi
 CS 83 163
 31027 Toulouse Cedex 3
 FRANCE
 Tel:+33 (0)5 820.822.02
 Fax:+33 (0)5.820.821.51
 Sales: humidity.sales@meas-spec.com

MEAS Website: <http://www.meas-spec.com/humidity-sensors.aspx>

| Revision | Comments | Who | Date |
|----------|---|--------------------|-------------|
| 0 | Document creation | D. LE GALL | November 12 |
| 1 | General update | D. LE GALL-ZIRILLI | July 13 |
| 2 | Correction of I ² C communication reading and writing, correction of soldering peak temperature, correction of Demokit designation | M.ROBERT | October 13 |
| 3 | Obsolescence of HTU2XS (SDM interface) version Update of external package dimensions | M.ROBERT | January 14 |
| 4 | Part number and designation modification | M.ROBERT | April 14 |

The information in this sheet has been carefully reviewed and is believed to be accurate; however, no responsibility is assumed for inaccuracies. Furthermore, this information does not convey to the purchaser of such devices any license under the patent rights to the manufacturer. Measurement Specialties, Inc. reserves the right to make changes without further notice to any product herein. Measurement Specialties, Inc. makes no warranty, representation or guarantee regarding the suitability of its product for any particular purpose, nor does Measurement Specialties, Inc. assume any liability arising out of the application or use of any product or circuit and specifically disclaims any and all liability, including without limitation consequential or incidental damages. Typical parameters can and do vary in different applications. All operating parameters must be validated for each customer application by customer's technical experts. Measurement Specialties, Inc. does not convey any license under its patent rights nor the rights of others.