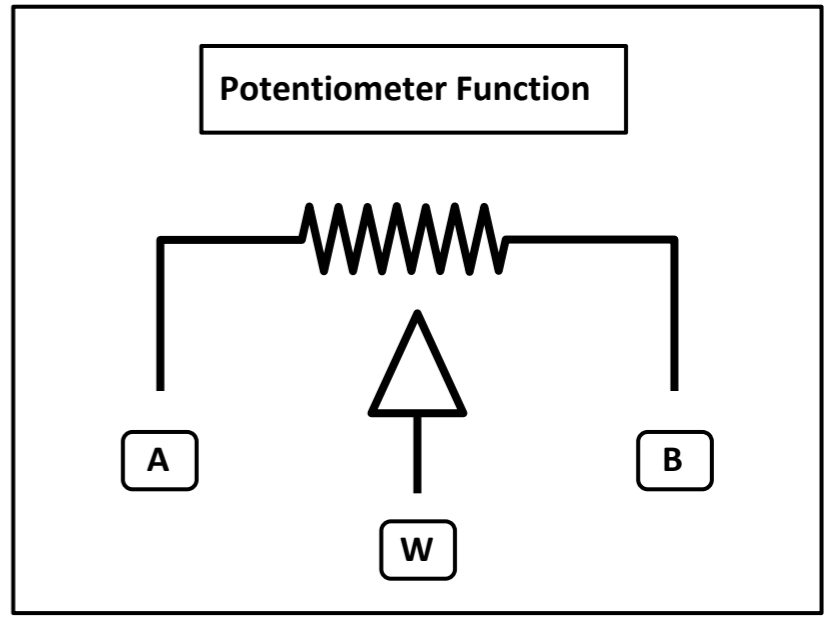
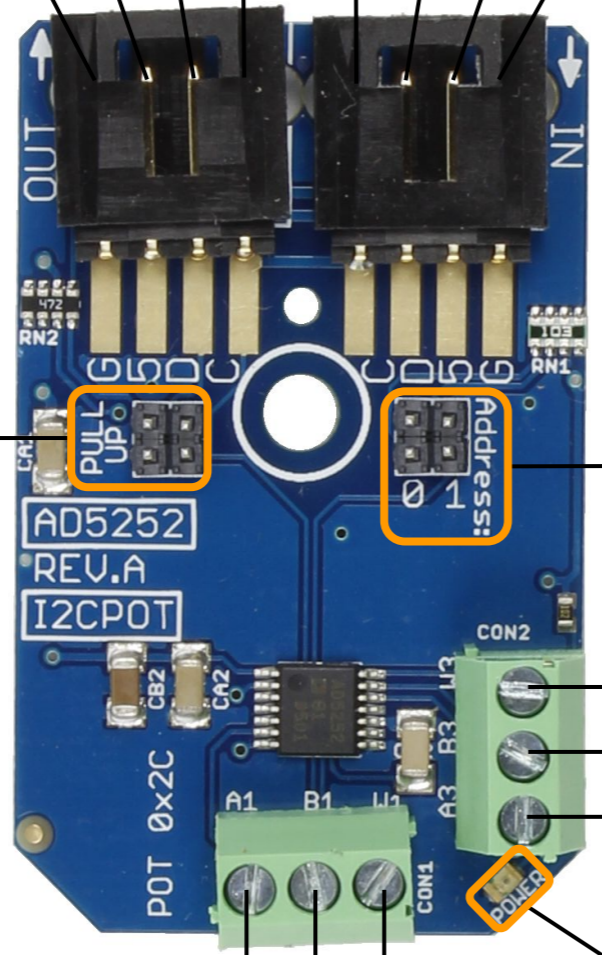


I²C Output to Next Device Input from I²C Master

GND +5V SDA SCL SCL SDA +5V GND



I²C Pull-up Jumper (4.7K)

Address Jumper

Potentiometer Port

Power LED

Potentiometer Port