

Model

740AJ

ARTICULATING BOOM LIFT

Features

- Fall arrest platform and boom
- 90 mph (144 kph) jet blast rating
- 6 ft. (1.37 m) articulating jib
- 36 x 72 in. (.91 x 1.83 m) low mount platform
- 4WD/4WS
- Fixed Axle
- 2500W generator
- Operator's tool tray and corner tool tray
- 18 x 19.5 in. foam filled wide lug tread tires
- 180 degree hydraulic platform rotator
- Platform console machine status light panel*
- 110V-AC receptacle in the platform
- 5 degree tilt alarm/indicator light
- Swing-out engine module
- Gull-wing engine hood
- 12V-DC auxiliary power
- Hourmeter
- Hydrostatic drive
- Proportional controls
- Lifting/tie down lugs
- Horn

* Provides indicator lights at platform control console for system distress, low fuel, 5 degree tilt light and foot switch status.

Accessories & Options

- Light Package¹
- Soft Touch System
- 1/2 in. Air Line to Platform
- On Board Air Compressor
- Welding Lead to Platform
- Alarm Package²
- 43.5 Propane Tank
- Cold Weather Start Kit (Ford)³
- Cold Weather Start Kit (Deutz)³
- Hostile Environment Kit⁴

1. Includes platform work lights, head and tail lights.

2. Includes all motion alarm and flashing amber beacon.

3. Includes engine block heater (Ford) or ether assist (Deutz), battery heater, oil tank heater.

4. Includes console cover, boom wipers and cylinder bellows.



Raising the Standards in Aircraft Maintenance and Safety

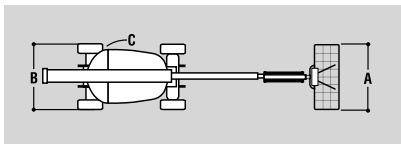
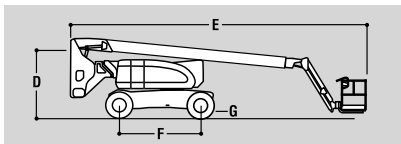
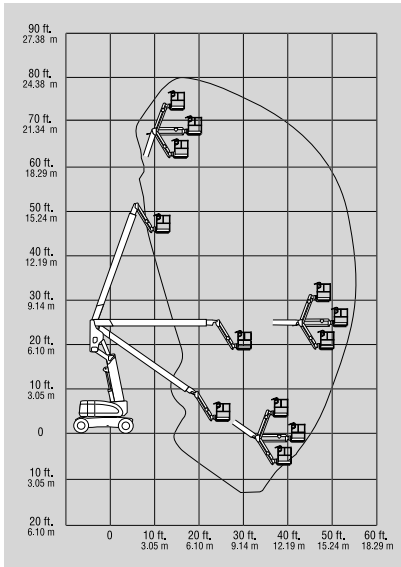
- Articulating jib allows for more precise positioning and access to all external surfaces on any aircraft.
- The Fall Arrest platform allows workers exit the platform and move a full 270 degrees around the platform within a radius of six feet, while still being afforded fall protection.
- Meets industry jet blast standards (ARP 1328) of 80-mph steady winds and 90-mph gusts, allowing the machine to be used in both controlled and uncontrolled areas.
- The Soft Touch System reduces the risk of accidental contact and damage during aircraft maintenance. This optional package features a suspended padded rail that surrounds the platform basket. Proximity sensors de-activate platform movement functions and alert the operator if the basket comes too close to the aircraft surface.

Model 740AJ

ARTICULATING BOOM LIFT

Specifications

740AJ



Reach

| | |
|--------------------------------|------------------------|
| Platform Height | 74 ft (22.60 m) |
| Horizontal Reach | 51 ft 10 in. (15.80 m) |
| Up and Over Height | 25 ft 1 in. (9.78 m) |
| Swing | 360 Degrees Continuous |
| Platform Capacity-Unrestricted | 500 lb (227 kg) |
| Platform Rotator | 180 Degrees Hydraulic |
| Jib Length | 6 ft (1.83 m) |
| Jib Range of Articulation | 130 Degrees (+70, -60) |

Dimensions

| | |
|------------------------------|----------------------------------|
| A. Platform Size | 36 x 72 in. (0.91 x 1.83 m) |
| B. Overall Width | 8 ft (2.44 m) |
| C. Tailswing | 2 ft 6 in. (76 cm) |
| D. Stowed Height | 9 ft 10 in. (3.0 m) |
| E. Stowed Length | 36 ft 6 in. (11.13 m) |
| F. Wheel Base | 10 ft (3.05 m) |
| G. Ground Clearance | 12 in. (30 cm) |
| Weight* | 36,200 lb (16,420 kg) |
| Max. Ground Bearing Pressure | 84 psi (5.3 kg/cm ²) |

Chassis

| | |
|----------------------------------|--|
| Drive Speed 4WD | 3.0 mph (4.8 kmph) |
| Gradeability 4WD | 45% |
| Turning Radius, (Inside/Outside) | 7 ft/14 ft 6 in. (2.13 m/4.42 m) |
| Tires/Type | 445/55D19.5 Foam-Filled Wide Lug Tread |

Power Source

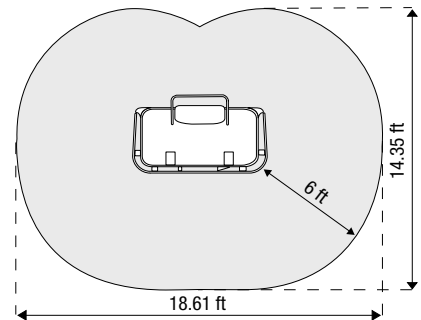
| | |
|---------------------|-----------------------------------|
| Dual Fuel Engine, | GM Vortec 3000 MPFI 82 hp (61 kW) |
| Diesel Engine, | Deutz D2011L04 65 hp (48 kW) |
| Fuel Tank Capacity | 40 gal. (151.4 L) |
| Hydraulic Reservoir | 48 gal. (181.7 L) |
| Auxiliary Power | 12V DC |

* Certain options or country standards will increase vehicle weight.

Fall Arrest Platform



Worker Envelope



Platform Area: 18 sq ft
Total Work Area: 210 sq ft

The JLG "1 & 5" Warranty

JLG Industries, Inc. backs our products with our exclusive "1 & 5" Warranty. We provide coverage for one (1) full year, and cover all specified major structural components for five (5) years. These machines meet or exceed applicable OSHA Regulations in 29 CFR 1910.67, 29 CFR 1926.453, ANSI A92.5-2006 and CSA standard CSA-B354.4-02 as originally manufactured for intended applications. We reserve the right to make price, specification, and/or equipment changes without prior notification.

Form No.: SS-740AJ-10M
Part No.: 3131116
R040803
Printed in USA



JLG Industries, Inc.

1 JLG Drive
McConnellsburg, PA 17233-9533
Telephone 717-485-5161
Toll-free in US 877-JLG-LIFT
Fax 717-485-6417
www.jlg.com

An Oshkosh Corporation Company