

**7-SERIES PNEUMATIC
3,000 - 6,500 LBS**



SPECIFICATIONS



3,000 - 6,500 lbs. Standard Features

SAFETY

- CARB/EPA certified engine with 3-way closed loop catalytic muffler system
- System of Active Stability (SAS)
 - Active control rear stabilizer
 - Active mast control function
 - SAS operation monitor
- Key lowering interlock
- Drift control system
- Double action parking brake
- Electric horn
- Neutral engine start safety switch
- Asbestos free components

PERFORMANCE

- Toyota 136cu. in., 4-cyl., OHV gasoline engine (4Y)
- Toyota 152cu. in., 4-cyl., OHV diesel engine (1DZ-II)
- Automatic choke (gasoline engines only)
- UL "G" gasoline engine
- UL "D" diesel engine
- Sedimentor (water separator) and suction filter (diesel engines only)
- Super glow control system (diesel engines only)
- Alternator with built-in IC regulator
- Transistorized ignition assembly
- Anti-resistant ignition key switch
- Automatic transmission with oil cooler
- Full floating powertrain
- Unified differential housing and differential carrier
- Hydraulic valve lifters (gasoline engines only)
- High cooling capacity radiator with tan shroud
- Large capacity engine cooling fan
- 7-inch cyclone air cleaner with high positioned external air intake
- Low maintenance battery
- Welded, steel mudguards

OPERABILITY AND ERGONOMICS

- Ergonomically designed instrument display
- Integrated monitoring system - includes
 - Digital hour meter
 - Battery charge warning lamp
 - Engine coolant temperature gauge
 - Engine oil pressure warning lamp
 - Clogged air filter warning lamp
 - Fuel gauge (gasoline only)
 - SAS warning lamp
 - Swing lock cylinder activation lamp
 - Pre-heat indicator and sedimentor warning lights (diesel only)
- 2-stage limited free lift mast (V)
- Wide-view carriage bars
- Electric shift control
- Integrated head light and turn signal lever
- Automatic fork leveling
- Memory-tilt steering column
- Two-spoke steering wheel
- Hydrostatic power steering
- Rubber mounting of hydraulic control valve
- Cowl-mounted hydraulic control levers with rubber boot covers
- Pendant-mounted pedals
- Independent brake & inching pedals
- Non-slip hand pad on engine hood
- Dual operator assist grips
- Low wide entry steps
- Large hood mounted clipboard
- Dash integrated pen/pencil/cup holder
- Draw bar pin
- Load backrest extension
- Heavy duty non-slip floor mat
- Adjustable front headlights and guards
- 4-Way adjustable semi-suspension seat
 - Fore/aft adjustment
 - Weight adjustment
 - Back tilt adjustment
 - Lumbar support adjustment

SERVICEABILITY

- Easy access no-tools floorboard
- Fully opening and sealed-closure steel engine hood
- Easy access radiator cover
- Engine hood assist damper with lock device
- At-a-glance coolant recovery system and brake fluid reservoir
- Air cleaner discharge valve

3,000 - 6,500 lbs. Optional Equipment

- Travel Speed Control System
- High mount rear combination lights
 - brakes
 - clearance back-up lights
 - turn signals
- EZ-Pedal foot directional control
- Engine shutdown device
- OK monitor
- Plate fin radiator (Box fin pattern)
- Radiator screen
- Fire extinguisher
- 2-stage full free lift mast (FV)
- 3-stage full free lift mast (FSV)
- Step mounted tool box with cover
- Deluxe steel cab
- Front combination lights
 - clearance lights
 - turn signal
- 2 speed automatic transmission
- Tilt cylinder boots
- Polished and tapered forks
- Side-shifter attachment
- Bottler's tilt
- LPG low-fuel warning light and alarm
- Catalytic muffler
- High capacity alternator with built-in regulator
- Keyless ignition switch
- Strobe lights
 - yellow
 - red
 - blue
 - clear
- Back-up alarms
- Cloth 4-way semi-suspension seat
- 3-way full-suspension seat
- Combination brake/inching pedal
- Pre-cleaner for air intake
- Left- and right-hand rear-view mirrors
- Wide tread tires
- UL "GS" gasoline model
- UL "DS" diesel model
- 4Y-ECS gasoline engine (option on 7FGU20.25, standard on 7FGU30.32)
- LPG fuel system configurations with swing out tank bracket and one touch latch system
 - UL-LP
 - UL-LPS
 - UL-LP/G dual fuel
- Optional swing down feature for LPG tank bracket

3,000 - 6,500 lbs. Truck Specifications

Models		7FGU15	7FDU15	7FGU18	7FDU18	7FGU20	7FDU20	7FGU25	7FDU25	7FGU30	7FDU30	7FGU32	7FDU32
Load Capacity (at 24" Load Center)	lbs.	3000		3500		4000		5000		6000		6500	
Body/Frame Construction		Welded steel body and frame											
Steering Type		Hydrostatic power steering											
Brakes		Hydraulic (foot)											
Transmission	Type	Powershift											
	Speeds (fwd/rev)	1/1											
Engine	Toyota Engine Model	4Y	1DZ-II	4Y	1DZ-II	4Y	1DZ-II	4Y	1DZ-II	4Y-ECS	1DZ-II	4Y-ECS	1DZ-II
	Type	4 cyl. gasoline	4 cyl. diesel	4 cyl. gasoline	4 cyl. diesel	4 cyl. gasoline	4 cyl. diesel	4 cyl. gasoline	4 cyl. diesel	4 cyl. gasoline	4 cyl. diesel	4 cyl. gasoline	4 cyl. diesel
Piston Displacement	cu. in.	136	152	136	152	136	152	136	152	136	152	136	152
Rated Horsepower - Net rpm	SAE HP	47 @ 2300	54 @ 2400	47 @ 2300	54 @ 2400	47 @ 2300	59 @ 2600	47 @ 2300	59 @ 2600	51 @ 2500	59 @ 2600	51 @ 2500	59 @ 2600
Rated Torque - Net rpm	SAE ft.-lb.	118 @ 1800	123 @ 1600	118 @ 1800	123 @ 1600	118 @ 1800	123 @ 1600	118 @ 1800	123 @ 1600	118 @ 1800	123 @ 1600	118 @ 1800	123 @ 1600

EXTERIOR DIMENSIONS

Models		7FGU15	7FDU15	7FGU18	7FDU18	7FGU20	7FDU20	7FGU25	7FDU25	7FGU30	7FDU30	7FGU32	7FDU32
A	Maximum Fork Height (MFH)	in.	131	131	131	131	131.5	131.5	131.5	131.5	131.5	131.5	131.5
B	Maxt Lowered Height	in.	84.5	84.5	84.5	84.5	84.5	84.5	84.5	85.3	85	85.3	85
C	Free Lift	in.	5.7	5.7	5.7	5.7	6.1	6.1	6.1	5.3	5.3	5.3	5.3
D	Load Distance*	in.	15.8	15.8	15.8	15.8	18.5	18.5	18.5	19.1	19.1	19.1	19.1
E	Wheelbase	in.	55.5	55.5	55.5	55.5	63	63	63	66.9	66.9	66.9	66.9
F	Fork Size (TxWxL)	in.	1.4x4x42	1.4x4x42	1.4x4x42	1.4x4x42	1.6x5x42	1.6x5x42	1.6x5x42	1.6x5x42	1.8x5x42	1.8x5x42	1.8x5x42
G	Length to Fork Face	in.	88.4	88.4	89.6	89.6	100.2	100.2	102.6	102.6	108.1	108.1	109.1
H	Overhead Guard Height	in.	81.9	81.9	81.9	81.9	83.1	83.1	83.1	83.1	85.5	85.5	85.5
I	Tilt Range (Fwd/Bwd)	deg.	6/0	6/0	6/0	6/0	6/0	6/0	6/0	6/0	6/0	6/0	6/0
J	Outside Turning Radius	in.	76	76	78	78	84.7	84.7	87.5	87.5	92.5	92.5	93.3
K	Rt Angle Stacking Aisle Width**	in.	92	92	92.5	92.5	103.2	103.2	106	106	110.8	110.8	111.8
L	Overall Width	in.	42.2	42.2	42.2	42.2	45.3	45.3	45.3	45.3	48.8	48.8	48.8
M	Carriage Width	in.	36	36	36	36	40	40	40	40	42	42	42
N	Std Tread Width (Front/Rear)	in.	35.2/35.2	35.2/35.2	35.2/35.2	35.2/35.2	37.8/38	37.8/38	37.8/38	37.8/38	39.8/38	39.8/38	39.8/38
O	Underclearance	Minimum	in.	3.9	3.9	3.9	3.9	3.7	3.7	3.7	3.7	4.5	4.5
		Center of W.B.	in.	5.5	5.5	5.5	5.5	7.3	7.3	7.3	7.3	8.6	8.6

PERFORMANCE DATA

Maximum Travel Speed	Full Load	Forward	mph	11.5	11.8	11.5	11.8	10.9	11.8	10.9	11.8	11.0	11.8	11.0	11.8
		Reverse	mph	11.5	11.8	11.5	11.8	10.9	11.8	10.9	11.8	11.0	11.8	11.0	11.8
	No Load	Forward	mph	11.8	12.1	11.8	12.1	11.2	12.1	11.2	12.1	11.0	12.1	11.0	12.1
		Reverse	mph	11.8	12.1	11.8	12.1	11.2	12.1	11.2	12.1	11.0	12.1	11.0	12.1
Lifting Speeds (V mast)	Full Load	fpm	118	128	118	128	118	120	118	120	100	98	100	98	
	No Load	fpm	124	132	126	132	126	126	126	126	108	104	108	104	
Lowering Speeds (V mast)	Full Load	fpm	98	98	98	98	98	98	98	98	98	98	98	98	
	No Load	fpm	108	108	108	108	98	98	98	98	98	98	98	98	
Maximum Drawbar Pull	Full Load	lbs.	3950	3950	3950	3950	4200	4050	4200	4050	4050	4050	4050		
	No Load	lbs.	1450	1450	1300	1300	1850	1850	1750	1750	2100	2100	2100		
Maximum Gradeability	Full Load	%	45	45	41	42	36	35	30	30	26	25	26		
	No Load	%	22	22	20	18	22	22	18	18	18	18	18		

TRUCK WEIGHTS

Gross Weight (empty)		lbs.	5870	6020	6150	6320	7740	7890	8360	8510	9590	9750	9900	10060	
Weight Distribution	Full Load	Front	lbs.	7800	7800	8560	8620	10290	10380	11720	11790	13640	13710	14460	14530
		Rear	lbs.	1070	1160	1090	1200	1600	1590	1640	1720	1950	2040	1940	2030
	No Load	Front	lbs.	2650	2710	2560	2620	3590	3680	3350	3420	3770	3840	3770	3840
		Rear	lbs.	3220	3310	3590	3700	4300	4290	5010	5090	5820	5910	6130	6220

FUEL CAPACITY

Gasoline Fuel Tank	US gal	11.9	11.9	11.9	11.9	17.0	17.0	17.0	17.0	17.0	17.0	17.0	17.0
--------------------	--------	------	------	------	------	------	------	------	------	------	------	------	------

ATTACHMENT

Auxiliary Function Pressure Relief	psi	2275	2275	2275	2275	2275	2275	2275	2275	2275	2275	2275	2275
Auxiliary Function Flow Rate (max)	gpm	17	17	17	17	20	19	20	19	21	20	21	20

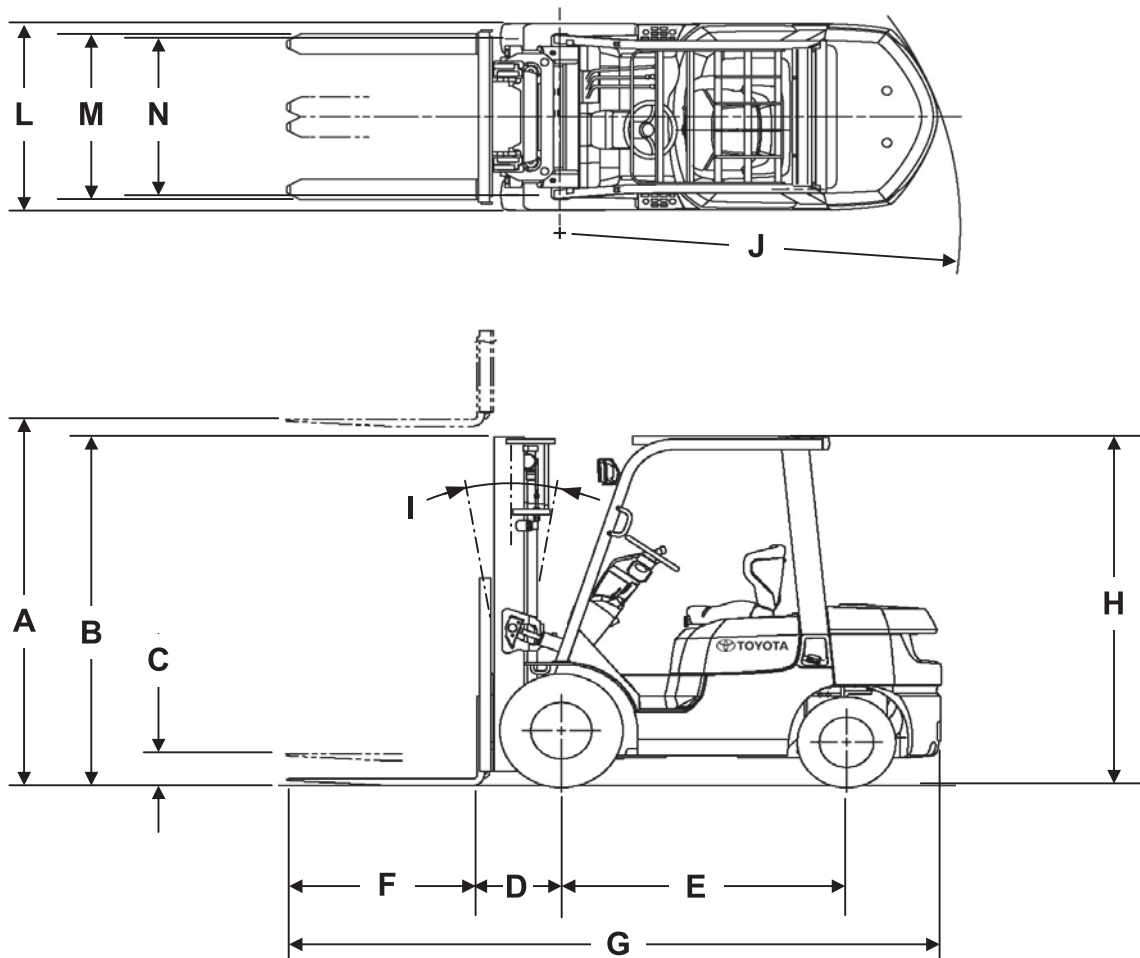
TIRES

Type (front/rear)		Pneumatic/Pneumatic											
Size	Drive (Front)	6.50-10-10PR				7.00-12-12PR				28x9-15-12PR		28x9-15-14PR	
	Steer (Rear)	5.00-8-8PR				6.00-9-10PR				6.50-10-10PR			

* Centerline of front axle to front face of forks

** Add load length and clearance

3,000 - 6,500 lbs. Truck Dimensions



7FGU25 model shown above

3,000 - 3,500 lbs. Mast Specifications

7FG(D)U15 & 7FG(D)U18

Mast Type	Maximum Fork Height (top of forks)	Overall Height			Free Lift		7FG(D)U15				7FG(D)U18			
		Lowered	Extended		Without Load Backrest	With Std. Load Backrest	Tilt Range		Load Capacity at 24 in. Load Center		Tilt Range		Load Capacity at 24 in. Load Center	
			Without Load Backrest	With Std. Load Backrest			FWD	BWD	Standard Tread	Optional Wide Tread	FWD	BWD	Standard Tread	Optional Wide Tread
		in.	in.	in.	in.	deg.	deg.	lbs.	lbs.	deg.	deg.	lbs.	lbs.	
V	80	58.9	102.6	128.1	5.7	5.7	6	10	3000	3000	6	10	3500	3500
	99.5	68.7	122.2	147.8	5.7	5.7	6	10	3000	3000	6	10	3500	3500
	107.5	72.6	130.1	155.7	5.7	5.7	6	10	3000	3000	6	10	3500	3500
	119	78.5	141.9	167.5	5.7	5.7	6	10	3000	3000	6	10	3500	3500
	131	84.5	153.7	179.3	5.7	5.7	6	10	3000	3000	6	10	3500	3500
	139	88.4	161.6	187.2	5.7	5.7	6	10	3000	3000	6	10	3500	3500
	147	94.7	169.5	195.1	5.7	5.7	6	10	3000	3000	6	10	3500	3500
	158.5	102.2	181.3	206.9	5.7	5.7	6	10	3000	3000	6	10	3400	3500
FV	80	58.9	101	128.1	36.6	10.9	6	6	3000	3000	6	6	3500	3500
	99.5	68.7	120.7	147.8	46.5	20.7	6	10	3000	3000	6	10	3500	3500
	107.5	72.6	128.5	155.7	50.4	24.6	6	10	3000	3000	6	10	3500	3500
	119	78.5	140.4	167.5	56.3	30.5	6	10	3000	3000	6	10	3500	3500
	131	84.5	152.2	179.3	62.2	36.4	6	10	3000	3000	6	10	3500	3500
	139	88.4	160	187.2	66.1	40.4	6	10	3000	3000	6	10	3500	3500
	147	94.7	167.9	195.1	72.4	46.7	6	10	3000	3000	6	10	3500	3500
	158.5	102.2	179.7	206.9	79.9	54.2	6	10	3000	3000	6	10	3400	3500
FSV	147	70.7	166.9	195.1	50.2	22.7	6	6	2850	2850	6	6	3200	3200
	158.5	74.6	178.7	206.9	54.1	26.6	6	6	2850	2850	6	6	3200	3200
	170.5	78.5	190.6	218.7	58.1	30.5	6	6	2800	2850	6	6	3150	3200
	189	84.4	208.5	236.6	64	36.4	6	6	2750	2800	6	6	2900	3050
	198	88.4	218.1	246.3	67.9	40.4	6	6	2650	2750	6	6	2550	3000
	217.5	94.7	237.8	265.9	74.2	46.7	6	6	2050	2200	6	6	1850	2400
237.5	102.2	257.5	285.6	81.7	54.2	6	6	1500	1650	6	6	1300	1750	

Note: Height of standard load backrest is 48 in.

4,000 - 5,000 lbs. Mast Specifications

7FG(D)U20

Mast Type	Maximum Fork Height (top of forks)	Overall Height			Free Lift		Single Drive Tire				Optional Dual Drive Tires		
		Lowered	Extended		Without Load Backrest	With Std. Load Backrest	Tilt Range		Load Capacity at 24in. Load Center (LC)		Tilt Range		Load Capacity at 24in. Load Center
			Without Load Backrest	With Std. Load Backrest			FWD	BWD	Standard Tread	Optional Wide Tread	FWD	BWD	
in.	in.	in.	in.	in.	in.	deg.	deg.	lbs.	lbs.	deg.	deg.	lbs.	
V	80	58.9	104.7	128.3	6.1	6.1	6	10	4000	4000	6	10	4000
	100	68.7	124.4	148	6.1	6.1	6	10	4000	4000	6	10	4000
	107.5	72.6	132.3	155.9	6.1	6.1	6	10	4000	4000	6	10	4000
	119.5	78.5	144.1	167.7	6.1	6.1	6	10	4000	4000	6	10	4000
	131.5	84.5	155.9	179.5	6.1	6.1	6	10	4000	4000	6	10	4000
	139	88.4	163.8	187.4	6.1	6.1	6	10	4000	4000	6	10	4000
	147	94.7	171.7	195.3	6.1	6.1	6	10	4000	4000	6	10	4000
	159	102.2	183.5	207.1	6.1	6.1	6	10	4000	4000	6	10	4000
	178.5	112	203.1	226.8	6.1	6.1	6	6	4000	4000	6	10	4000
	198	121.9	222.8	246.5	6.1	6.1	6	6	3750	4000	6	6	4000
	218	131.7	242.5	266.1	6.1	6.1	---	---	---	---	6	6	3700
237.5	143.1	262.2	285.8	6.1	6.1	---	---	---	---	6	6	3600	
FV	80	58.9	102.2	128.3	35.4	10.9	6	6	4000	4000	6	6	4000
	100	68.7	121.9	148	45.3	20.7	6	10	4000	4000	6	10	4000
	107.5	72.6	129.7	155.9	49.2	24.6	6	10	4000	4000	6	10	4000
	119.5	78.5	141.5	167.7	55.1	30.5	6	10	4000	4000	6	10	4000
	131.5	84.5	153.3	179.5	61	36.4	6	10	4000	4000	6	10	4000
	139	88.4	161.2	187.4	65	40.4	6	10	4000	4000	6	10	4000
	147	94.7	169.1	195.3	71.3	46.7	6	10	4000	4000	6	10	4000
159	102.2	180.9	207.1	78.7	54.2	6	10	4000	4000	6	10	4000	
FSV	147	70.7	167.9	195.3	48.4	22.7	6	6	4000	4000	6	6	4000
	159	74.6	179.7	207.1	52.4	26.6	6	6	4000	4000	6	6	4000
	170.5	78.5	191.5	218.9	56.3	30.5	6	6	4000	4000	6	6	4000
	189	84.4	209.8	237	62.2	36.4	6	6	3900	4000	6	6	4000
	198	88.4	219.1	246.5	66.1	40.4	6	6	3550	4000	6	6	4000
	218	94.7	238.8	266.1	72.4	46.7	6	6	2800	3500	6	6	3750
	237.5	102.2	258.5	285.8	79.9	54.2	6	6	2000	2550	6	6	3300
257.5	112	278.1	305.5	89.8	64	---	---	---	---	6	6	3200	
277	121.9	297.8	325.2	99.6	73.9	---	---	---	---	6	6	2600	

Note: Height of standard load backrest is 48in

7FG(D)U25

Mast Type	Maximum Fork Height (top of forks)	Overall Height			Free Lift		Single Drive Tire				Optional Dual Drive Tires		
		Lowered	Extended		Without Load Backrest	With Std. Load Backrest	Tilt Range		Load Capacity at 24in. Load Center (LC)		Tilt Range		Load Capacity at 24in. Load Center
			Without Load Backrest	With Std. Load Backrest			FWD	BWD	Standard Tread	Optional Wide Tread	FWD	BWD	
in.	in.	in.	in.	in.	in.	deg.	deg.	lbs.	lbs.	deg.	deg.	lbs.	
V	80	58.9	104.7	128.3	6.1	6.1	6	10	5000	5000	6	10	5000
	100	68.7	124.4	148	6.1	6.1	6	10	5000	5000	6	10	5000
	107.5	72.6	132.3	155.9	6.1	6.1	6	10	5000	5000	6	10	5000
	119.5	78.5	144.1	167.7	6.1	6.1	6	10	5000	5000	6	10	5000
	131.5	84.5	155.9	179.5	6.1	6.1	6	10	5000	5000	6	10	5000
	139	88.4	163.8	187.4	6.1	6.1	6	10	5000	5000	6	10	5000
	147	94.7	171.7	195.3	6.1	6.1	6	10	5000	5000	6	10	5000
	159	102.2	183.5	207.1	6.1	6.1	6	6	5000	5000	6	10	5000
	178.5	112	203.1	226.8	6.1	6.1	6	6	4450	5000	6	10	5000
	198	121.9	222.8	246.5	6.1	6.1	6	6	3500	4550	6	6	4850
	218	131.7	242.5	266.1	6.1	6.1	---	---	---	---	6	6	4600
237.5	143.1	262.2	285.8	6.1	6.1	---	---	---	---	6	6	4050	
FV	80	58.9	102.2	128.3	35.4	10.9	6	6	5000	5000	6	6	5000
	100	68.7	121.9	148	45.3	20.7	6	10	5000	5000	6	10	5000
	107.5	72.6	129.7	155.9	49.2	24.6	6	10	5000	5000	6	10	5000
	119.5	78.5	141.5	167.7	55.1	30.5	6	10	5000	5000	6	10	5000
	131.5	84.5	153.3	179.5	61	36.4	6	10	5000	5000	6	10	5000
	139	88.4	161.2	187.4	65	40.4	6	10	5000	5000	6	10	5000
	147	94.7	169.1	195.3	71.3	46.7	6	10	5000	5000	6	10	5000
159	102.2	180.9	207.1	78.7	54.2	6	6	5000	5000	6	10	5000	
FSV	147	70.7	167.9	195.3	48.4	22.7	6	6	5000	5000	6	6	5000
	159	74.6	179.7	207.1	52.4	26.6	6	6	5000	5000	6	6	5000
	170.5	78.5	191.5	218.9	56.3	30.5	6	6	5000	5000	6	6	5000
	189	84.4	209.8	237	62.2	36.4	6	6	3950	4850	6	6	4950
	198	88.4	219.1	246.5	66.1	40.4	6	6	3550	4500	6	6	4850
	218	94.7	238.8	266.1	72.4	46.7	6	6	2850	3850	6	6	4500
	237.5	102.2	258.5	285.8	79.9	54.2	6	6	2000	2550	6	6	3500
257.5	112	278.1	305.5	89.8	64	---	---	---	---	6	6	3200	
277	121.9	297.8	325.2	99.6	73.9	---	---	---	---	6	6	2500	

Note: Height of standard load backrest is 48in.

6,000 - 6,500 lbs. Mast Specifications

7FG(D)U30

Mast Type	Maximum Fork Height (top of forks)	Overall Height			Free Lift		Single Drive Tire				Optional Dual Drive Tires		
		Lowered	Extended		Without Load Backrest	With Std. Load Backrest	Tilt Range		Load Capacity at 24in. Load Center (LC)		Tilt Range		Load Capacity at 24in. Load Center
			Without Load Backrest	With Std. Load Backrest			FWD	BWD	Standard Tread	Optional Wide Tread	FWD	BWD	
in.	in.	in.	in.	in.	in.	deg.	deg.	lbs.	lbs.	deg.	deg.	lbs.	
V	80.5	59.6	108.3	128.5	5.3	5.3	6	10	6000	6000	6	10	6000
	100	69.5	128	148.2	5.3	5.3	6	10	6000	6000	6	10	6000
	108	73.4	135.8	156.1	5.3	5.3	6	10	6000	6000	6	10	6000
	119.5	79.3	147.6	167.9	5.3	5.3	6	10	6000	6000	6	10	6000
	131.5	85	159.4	179.7	5.3	5.3	6	10	6000	6000	6	10	6000
	139.5	89.2	167.3	187.6	5.3	5.3	6	10	6000	6000	6	10	6000
	147	95.5	175.2	195.5	5.3	5.3	6	10	6000	6000	6	10	6000
	159	103	187	207.3	5.3	5.3	6	10	6000	6000	6	10	6000
	178.5	112.8	206.7	227	5.3	5.3	6	6	6000	6000	6	10	6000
	198.5	122.6	226.4	246.7	5.3	5.3	6	6	5300	5850	6	6	6000
	218	132.5	246.1	266.3	5.3	5.3	---	---	---	---	6	6	5550
237.5	143.9	265.7	286	5.3	5.3	---	---	---	---	6	6	4450	
FV	80.5	59.6	103	128.5	35.4	11.6	6	6	6000	6000	6	6	6000
	100	69.5	122.6	148.2	45.3	21.5	6	10	6000	6000	6	10	6000
	108	73.4	130.5	156.1	49.2	25.4	6	10	6000	6000	6	10	6000
	119.5	79.3	142.3	167.9	55.1	31.3	6	10	6000	6000	6	10	6000
	131.5	85	154.1	179.7	61	37.2	6	10	6000	6000	6	10	6000
	139.5	89.2	162	187.6	65	41.2	6	10	6000	6000	6	10	6000
	147	95.5	169.9	195.5	71.3	47.5	6	10	6000	6000	6	10	6000
	159	103	181.7	207.3	78.7	55	6	10	6000	6000	6	10	6000
FSV	147	75.4	169.9	195.5	51.2	27.4	6	6	6000	6000	6	6	6000
	159	79.3	181.7	207.3	55.1	31.3	6	6	6000	6000	6	6	6000
	171	85.2	193.5	219.1	61	37.2	6	6	6000	6000	6	6	6000
	187	89.2	209.8	235	65	41.2	6	6	6000	6000	6	6	6000
	198.5	95.5	221.1	246.7	71.3	47.5	6	6	5600	5800	6	6	6000
	218	103	240.7	266.3	78.7	55	6	6	4200	5300	6	6	5600
	237.5	112.8	260.4	286	88.6	64.8	6	6	3100	3500	6	6	4300
	257.5	122.6	280.1	305.7	98.4	74.6	---	---	---	---	6	6	3500
277	132.5	299.8	325.4	108.3	84.5	---	---	---	---	6	6	2600	

Note: Height of standard load backrest is 48in

7FG(D)U32

Mast Type	Maximum Fork Height (top of forks)	Overall Height			Free Lift		Single Drive Tire				Optional Dual Drive Tires		
		Lowered	Extended		Without Load Backrest	With Std. Load Backrest	Tilt Range		Load Capacity at 24in. Load Center (LC)		Tilt Range		Load Capacity at 24in. Load Center
			Without Load Backrest	With Std. Load Backrest			FWD	BWD	Standard Tread	Optional Wide Tread	FWD	BWD	
in.	in.	in.	in.	in.	in.	deg.	deg.	lbs.	lbs.	deg.	deg.	lbs.	
V	80.5	59.6	108.3	128.5	5.3	5.3	6	10	6500	6500	6	10	6500
	100	69.5	128	148.2	5.3	5.3	6	10	6500	6500	6	10	6500
	108	73.4	135.8	156.1	5.3	5.3	6	10	6500	6500	6	10	6500
	119.5	79.3	147.6	167.9	5.3	5.3	6	10	6500	6500	6	10	6500
	131.5	85	159.4	179.7	5.3	5.3	6	10	6500	6500	6	10	6500
	139.5	89.2	167.3	187.6	5.3	5.3	6	10	6500	6500	6	10	6500
	147	95.5	175.2	195.5	5.3	5.3	6	10	6500	6500	6	10	6500
	159	103	187	207.3	5.3	5.3	6	10	6500	6500	6	10	6500
	178.5	112.8	206.7	227	5.3	5.3	6	6	6500	6500	6	10	6500
	198.5	122.6	226.4	246.7	5.3	5.3	6	6	6150	6500	6	6	6500
	218	132.5	246.1	266.3	5.3	5.3	---	---	---	---	6	6	5500
237.5	143.9	265.7	286	5.3	5.3	---	---	---	---	6	6	4200	
FV	80.5	59.6	108.1	128.5	30.3	11.6	6	6	6500	6500	6	6	6500
	100	69.5	127.8	148.2	40.2	21.5	6	10	6500	6500	6	10	6500
	108	73.4	135.6	156.1	44.1	25.4	6	10	6500	6500	6	10	6500
	119.5	79.3	147.4	167.9	50	31.3	6	10	6500	6500	6	10	6500
	131.5	85	159.3	179.7	55.9	37.2	6	10	6500	6500	6	10	6500
	139.5	89.2	167.1	187.6	59.8	41.2	6	10	6500	6500	6	10	6500
	147	95.5	175	195.5	66.1	47.5	6	10	6500	6500	6	10	6500
	159	103	186.8	207.3	73.6	55	6	10	6500	6500	6	10	6500
FSV	147	75.4	175	195.5	46.1	27.4	6	6	6500	6500	6	6	6500
	159	79.3	186.8	207.3	50	31.3	6	6	6500	6500	6	6	6500
	171	85.2	198.6	219.1	55.9	37.2	6	6	6500	6500	6	6	6500
	187	89.2	215	235	59.8	41.2	6	6	6500	6500	6	6	6500
	198.5	95.5	226.2	246.7	66.1	47.5	6	6	5750	6400	6	6	6500
	218	103	245.9	266.3	73.6	55	6	6	4200	5500	6	6	6050
	237.5	112.8	265.6	286	83.5	64.8	6	6	3300	4000	6	6	5750
	257.5	122.6	285.2	305.7	93.3	74.6	---	---	---	---	6	6	3500
277	132.5	304.9	325.4	103.1	84.5	---	---	---	---	6	6	2300	

Note: Height of standard load backrest is 48in.

Some product features described herein are optional. Please consult your dealer for specifications. Details and specifications of equipment are based on information available at the time of printing and may change without notice.