

Video Link:

https://youtu.be/xnZ00UQ_fuM

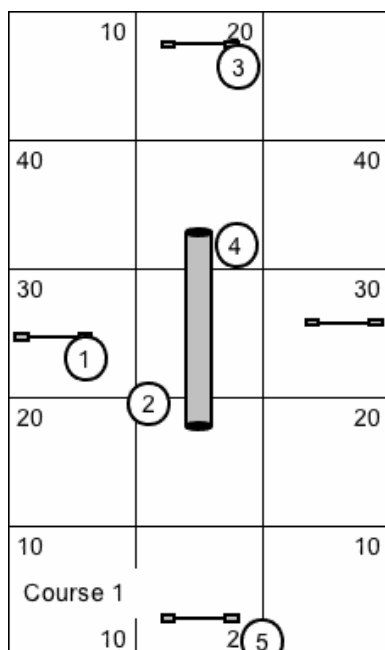
Flappy Tappy with Motion:

Because this skill is utilized in the drills to follow, we have included it in the skills portion so you can review understanding and build value for chasing the handler past the straight tunnel. The tricky part is the forward motion so try to keep running as you cue the FT. If you need to make it easier you can run further from the tunnel then after each success start getting closer. If you can't teach understanding you can mix it up between cuing the tunnel and cueing the FT, each as you run straight ahead. Placement of reward is key, try to deliver reward at your side as they catch you, throwing the reward will not encourage them to stay tight to you.

Threadle Rear Cross Independence:

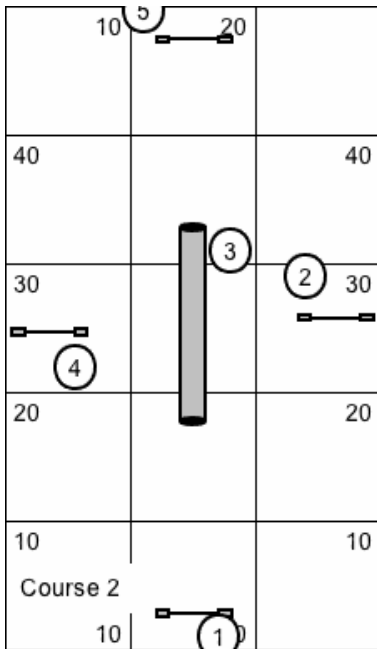
This exercise is to test and build upon your independence when sending to the back of a jump with a threadle rear cross. We want to have equal value for front vs. threadle (back in this case) and you want to be able to cue either one at a distance and with motion. You can start with a smaller distance to help the dog threadle to the backside but you want to use pattern training and reinforcement to fade yourself out of the picture. You can then work on sending to figure 8s around 2 jumps that are a great distance apart.

Drill 1:



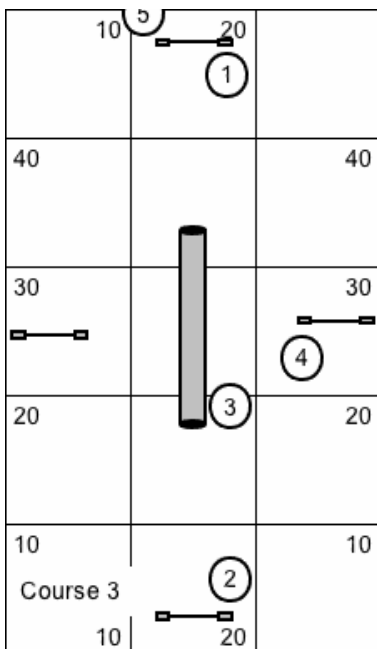
Send to a dig on jump 1 then run the outside of the tunnel to test your threadle with motion. Send across your feet to jump 3, leaving nice and early to get DOR back through tunnel #4 then ending the drill with a threadle rear on jump 5.

Drill 2:



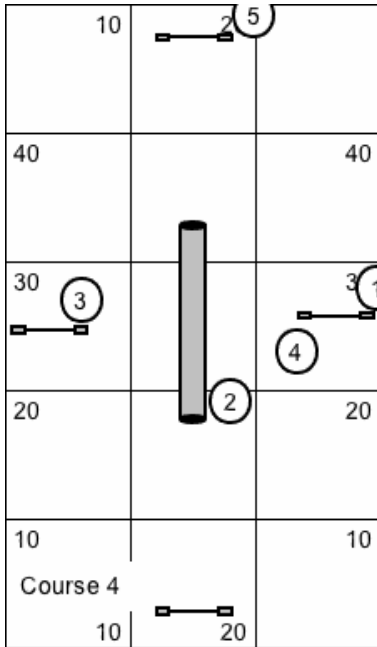
Send to the back of jump 1 then FT past the tunnel to the back of jump 2. FC to send to tunnel 3 on your right, leave to get a blind at the tunnel exit to get DOL over jump 4 then practice sending and leaving to the backside of jump 5.

Drill 3:



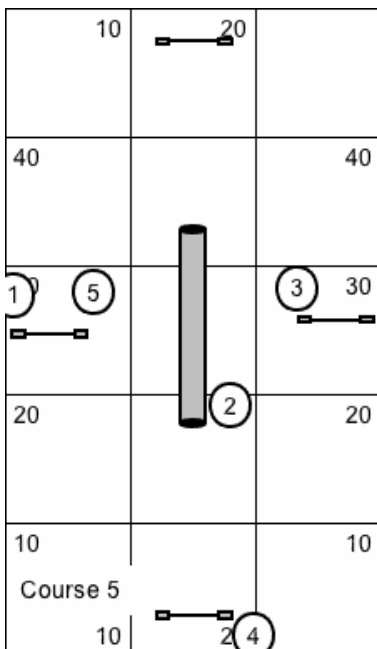
Send across feet to jump 1 then DOR past the tunnel with FT and again send across feet to jump 2. DOL into the tunnel then threadle to the finish

Drill 4:



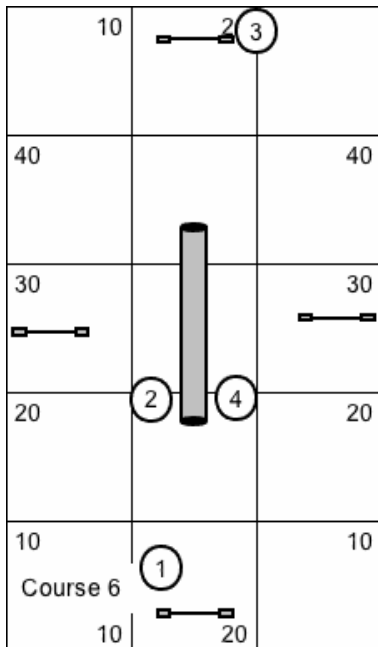
Send to the backside of jump 1 DOL to a push back blind threadle into the tunnel mouth. DOR to the finish with a send and leave to the backside of jump 5.

Drill 5:



DOR send 1-2 then blind the tunnel exit to get DOL over jump 3 then send to the backside of jump 4. Finish with a threadle rear to the backside of jump 5.

Drill 6:



Send across feet to jump 1 to get DOR through tunnel 2. Send to the backside of jump 3 with a K-turn to keep DOR, finish with a threadle into the non-obvious end of the tunnel.

CRCD:

Begin Course Designer
Version 4

For a free viewer, go to www.coursedesigner.com/viewer
AAAAAAEJeNpFzrkOAVEUBuD/zL3MnSHcwpJJheVxjK22tlpxQOMQqljRKJTeBKN
eASVN5AolAqPoFTYrsylU53vbDlccHAoBEEif0yGcqQejMvYNP2rX7AnTkQgYgw2
YAA6MYpQTDl9uVFOQrbGJNueJTskszflHLqTxWw+yrqyAukCtuNZelgNCNv3K5yl
C/MGvS5Mxb9XbLNEV1rCV9zMpP7a0Dny1zDa93X4fncydlHAdXwVQR0YUA20Ekz/
Wgs0FGsB1AN51j0FNBz1ZOoDmR0mQg==
End Course Designer

Begin Course Designer
Version 4

For a free viewer, go to www.coursedesigner.com/viewer
AAAAAAEKeNpj4WBhYGGQZ4ACRg6ls6Ksiozyf5hZBPgKxGHidhx2MLlwMjlyMDIy
MzNwMTAwMTAAGUy6DPJmjED5YiZ9UQYBhwxGAccETgEnRgGFDwwCigzO+aVFxakK
RglGDAKGDAXcsgmcQMxYIwMy/7/YxPh52D/wADUzsEuzwlyhYtdj/EBYwUDhMfP
LiWg4C1kvMKN4CXYBEF4+0Cu+8H+XYyBwVAVwrPhvgG0xQjKK+B4wcHAYAzlWZS
4GVgMIHyNFjQD43lZX/yypPABV1JxE=
End Course Designer

Begin Course Designer
Version 4

For a free viewer, go to www.coursedesigner.com/viewer
AAAAAAELeNpFz7sOAUEUBuD/7M7asWRN4ZJldgeVxv1Su7QqUSgpJDpCJDyORqnW
8AY6pcljeAC32exiqvOdW84wzsAGETziuXPCyJJ86EzY89Q3f8WBGBGBSNdARqg
Aq0A2SRVX2qIBERsQl9CosOicwdIovubLVYTjI1UYaoAJYzCqtmOSDs3q9QPMbN
O9Q4NyXztlhmkW60hq+YmU7+taVL5K9xtO/r5F3X40N1T8XxNefHOFD9aWMDtUCU
G9IHgXrAvOF6X2848qnLD9abJaM=
End Course Designer

Begin Course Designer

Version 4

For a free viewer, go to www.coursedesigner.com/viewer

AAAAAAEJeNpj4WBhYGGQZ4ACRg6ls6Ksiozyf5hZBPgKxGHidhx2MLlWmjlyMDIy
MzNwMTAwMTAAGUy6DPJmjED5YiZ9UQYBhwxGAccETgEnRgGFDwwCigzO+aVFxakK
JgIGDAKGDAXcsgmcQMXYlYwMy/7/YxPh52D/wADUzsEuzwlyhYtdj/EBYwUDhMfP
LiWG4C1kvMKN4CXyBEF4+0Cue8EbAHSSoSyEV8BRycfAYATIXWA6AZQzhvleca3g
YWAwgfLcOVOPkms/F9meQDaByeK

End Course Designer

Begin Course Designer

Version 4

For a free viewer, go to www.coursedesigner.com/viewer

AAAAAAEJeNpj4WBhYGGQZ4ACRg6ls6Ksiozyf5hZBPgKxGHidhx2MLlWmjlyMDIy
MzNwMTAwMTAAGUy6DPJmjED5YiZ9UQYBhwxGAccETgEnRgGFDwwCigzO+aVFxakK
pgIGDAKGDAXcsgmcQMXYlYwMy/7/YxPh52D/wADUzsEuzwlyhYtdj/EBYwUDhMfP
LiWG4C1kvMKN4CXyBEF4+0Cuc2XIAjrJUBbCK+Co5GNgMILynnHpAOWMoTxvziti
DAwmUJ4HcwBQzIRW/i+zPACVFSYF

End Course Designer

Begin Course Designer

Version 4

For a free viewer, go to www.coursedesigner.com/viewer

AAAAAAD7eNpj4WBhYGGQZ4ACRg6ls6Ksiozyf5hZBPgKxGHidhx2MLlWmjlyMDIy
MzNwMTAwMTAAGUy6DPJmjED5YiZ9UQYBhwxGAccETgEnRgGFDwwCigzO+aVFxakK
ZglGDAKGDAXcsgmcQMXYlYwMy/7/YxPh52D/wADUzsEuzwlyhYtdj/EBYwUDhMfP
LiWG4C1kvMKN4CXyBEF4+0CuO8xaKMLAYCgL4eWw+vAxMBhBeQmc94CkMZQ3hcMV
KGciK/+XWR4Aq4kkZA==

End Course Designer