

# INSTALLATION INSTRUCTIONS

**ATRO PARTS**  
ENGINEERED | DURABLE | RELIABLE  
MANUFACTURED IN ST. CLAIR, MISSOURI | U.S.A.

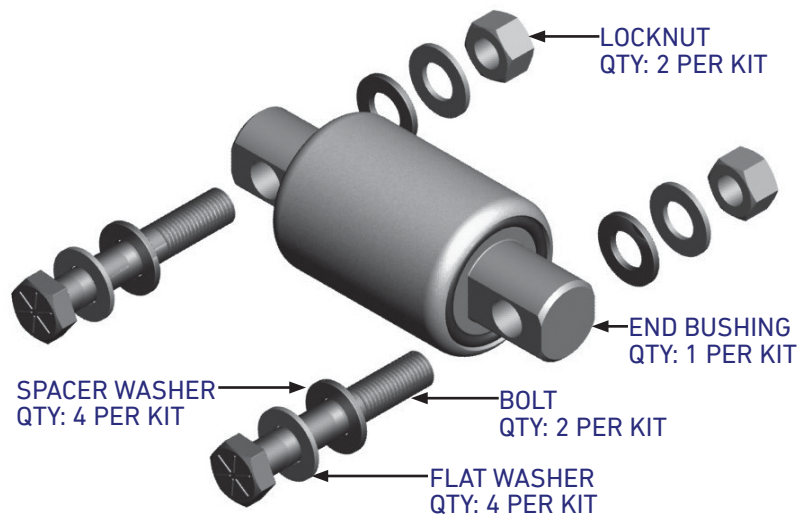
## EB50-21013 BAR PIN BUSHING KIT

HENDRICKSON RS, RT, HN, HAULMAAX® SUSPENSIONS

1. Remove old bushing from beam.
2. Press new bushing into beam with PT50-21013 installation tool (or equivalent)
3. Install beam, using 4 spacer washers (thick) for spacing and/or alignment between bar pin and bracket as needed.
4. Use 4 flat washers (thin) outside of bracket for bracket to bolt head and bracket to nut.

### KIT CONTAINS:

- (1) bar pin bushing
- (2) bolts
- (2) lock nuts
- (4) spacer washers
- (4) flat washers



CELEBRATING 30 YEARS  
**ATRO**  
POLYURETHANE • SOLUTIONS

POLYURETHANE PARTS | SOLUTIONS FOR HEAVY TRUCKS

ATROBUSHING.COM  
©2017 ATRO ENGINEERED SYSTEMS, INC.

6 Bolte Lane  
St. Clair, Missouri 63077 | U.S.A.  
(800) 325.6114 | Fax (866) 920.2005

EB50-21013 INSTALL

ATROBUSHING.COM | 1.800.325.6114

ATRO Engineered Systems, Inc. is not liable for any errors herein. All manufacturers' names and part numbers are used without permission; no endorsement, affiliation, or recommendation is implied. They are included for reference purposes only.