

# INSTALLATION INSTRUCTIONS

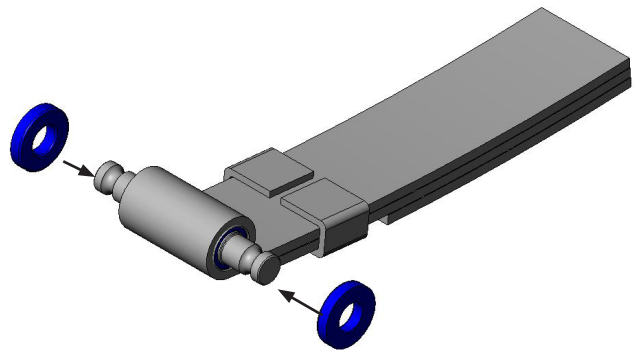
**ATRO PARTS**  
ENGINEERED | DURABLE | RELIABLE  
MANUFACTURED IN ST. CLAIR, MISSOURI | U.S.A.

## INSTALLATION FOR SPRING EYE BUSHINGS

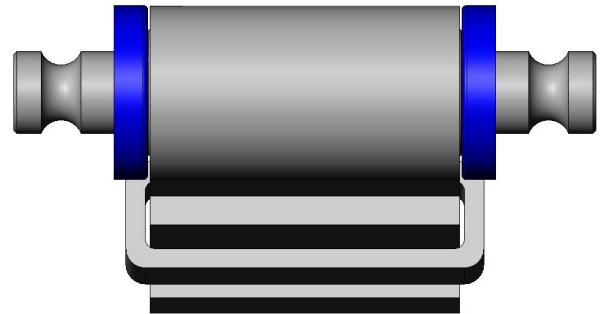
SK46-10000 • SK46-11200 • SK55-10000 • SK55-12000 • SK59-10000 • SK59-12100  
SP59-11006 • SP62-1154M

Popular on many OE manufacturers including Freightliner, Navistar/International, Kenworth & Mack

1. Install spring eye bushing in spring eye or hanger bracket.
2. Install polyurethane shims on each end of the spring eye bushing pin as shown below.
3. Install side bars and/or mount bushing in front hanger bracket per OEM specifications.



**NOTE:** Under high side loads, the polyurethane shims control and limit excessive lateral movement of the spring eye bushing while still allowing the bushing to rotate and flex.



CELEBRATING 30 YEARS  
**ATRO**  
POLYURETHANE • SOLUTIONS

POLYURETHANE PARTS | SOLUTIONS FOR HEAVY TRUCKS

ATROBUSHING.COM  
©2017 ATRO ENGINEERED SYSTEMS, INC.

6 Bolte Lane  
St. Clair, Missouri 63077 | U.S.A.  
(800) 325.6114 | Fax (866) 920.2005

DC00-10016

ATROBUSHING.COM | 1.800.325.6114

ATRO Engineered Systems, Inc. is not liable for any errors herein. All manufacturers' names and part numbers are used without permission; no endorsement, affiliation, or recommendation is implied. They are included for reference purposes only.