

# INSTALLATION INSTRUCTIONS

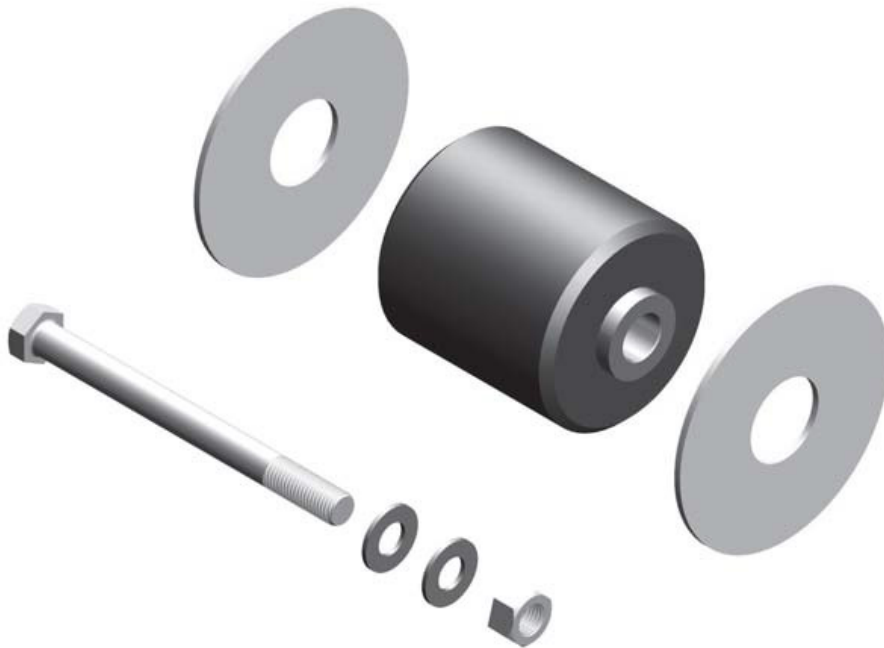
**ATRO PARTS**  
ENGINEERED | DURABLE | RELIABLE  
MANUFACTURED IN ST. CLAIR, MISSOURI | U.S.A.

## TRAILER PIVOT BUSHING KIT

PB50-36000 • PB50-36000-EI • PB50-36321

### IMPORTANT NOTICE:

- ATRO PB50-36000, PB50-36000-EI and PB50-36321 Trailer Pivot Bushing Kits DO NOT use an OEM shear-type bolt\*.
- The 7/8" bolt supplied with the kit must be properly torqued to **500-550 ft-lbs** using a torque wrench.
- DO NOT lubricate threads of bolt prior to torquing as this may cause overtightening and damage to the pivot connection.
- DO NOT reuse old bolts, nuts or washers when installing a new pivot bushing.



### \*NOTE:

For kits with **Shear Bolts**, use ATRO PB50-36001 or PB50-36001-EI.

CELEBRATING 30 YEARS  
**ATRO**  
POLYURETHANE • SOLUTIONS

POLYURETHANE PARTS | SOLUTIONS FOR HEAVY TRUCKS

ATROBUSHING.COM  
©2017 ATRO ENGINEERED SYSTEMS, INC.

6 Bolte Lane  
St. Clair, Missouri 63077 | U.S.A.  
(800) 325.6114 | Fax (866) 920.2005

DC00-10008

ATROBUSHING.COM | 1.800.325.6114

ATRO Engineered Systems, Inc. is not liable for any errors herein. All manufacturers' names and part numbers are used without permission; no endorsement, affiliation, or recommendation is implied. They are included for reference purposes only.