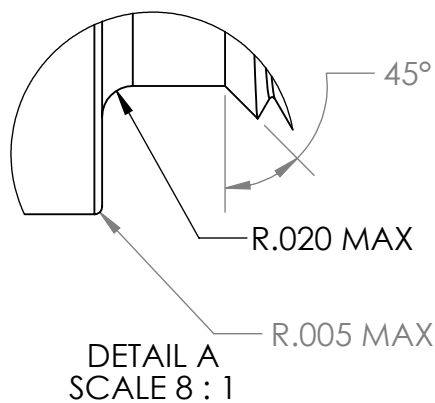
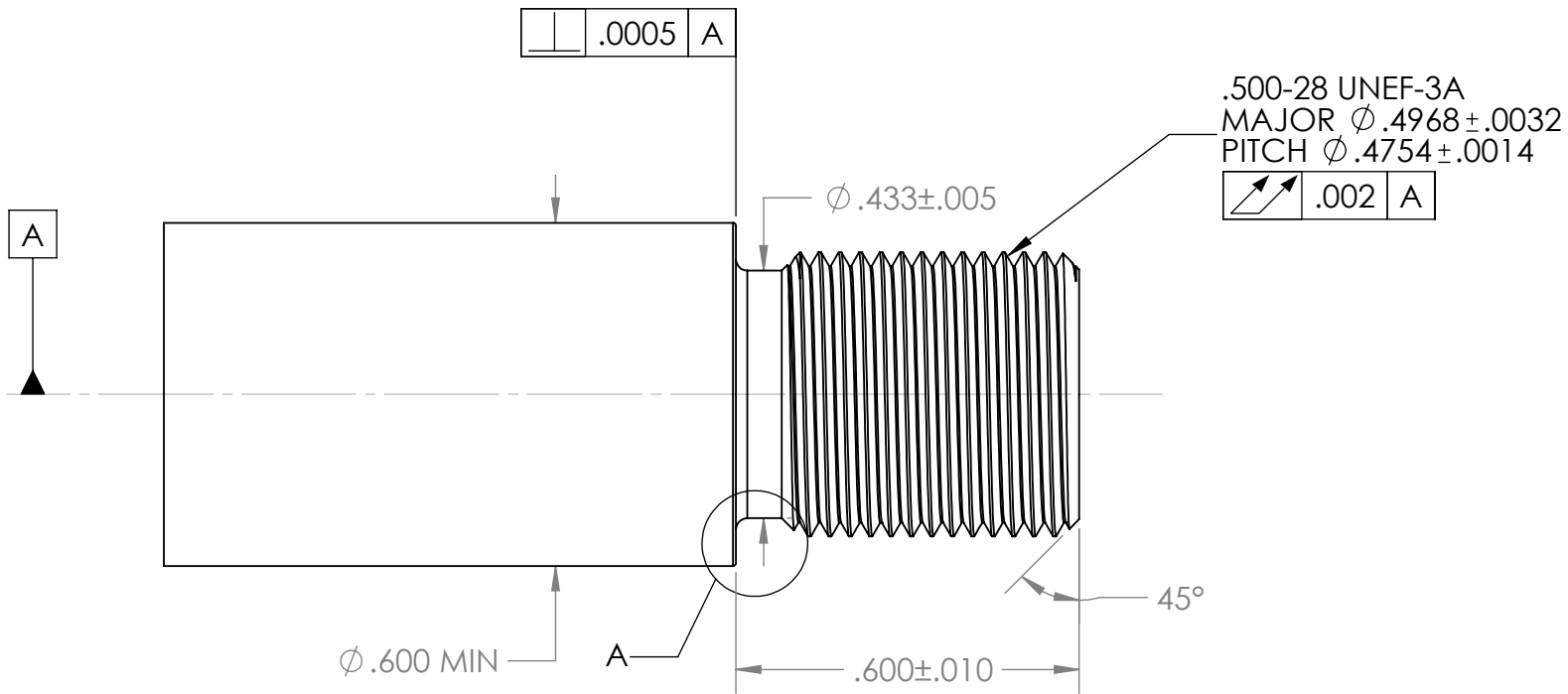
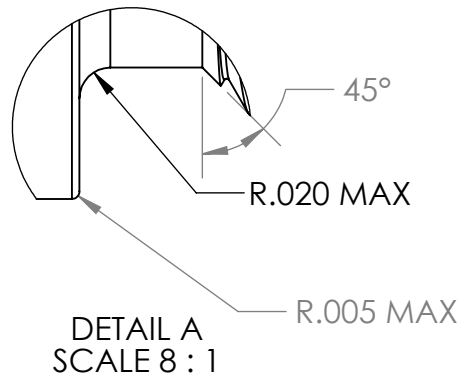
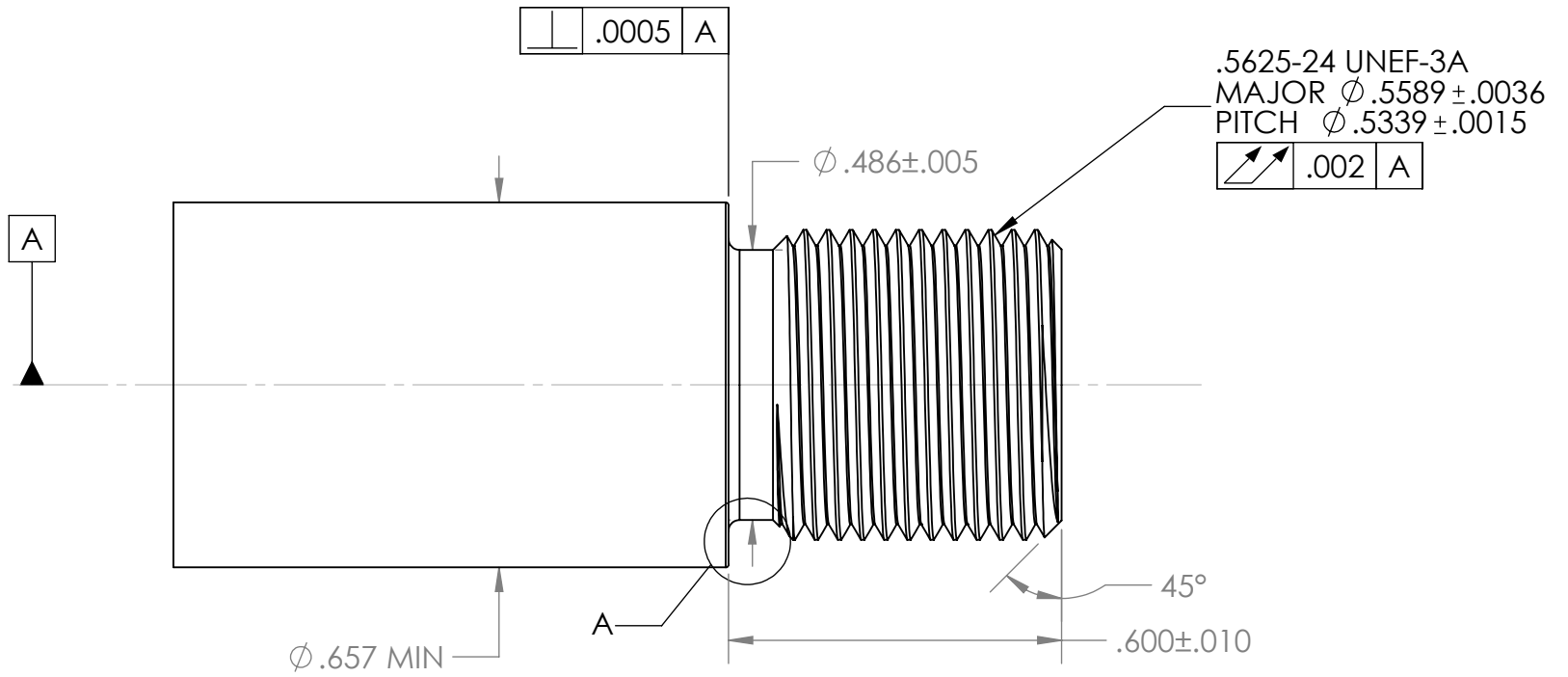


INTERPRET GEOMETRIC TOLERANCING PER ASME Y14.5-2009	NAME	DATE	Part Name:	
MATERIAL	DRAWN	DC	SILENCERCO RIFLE	
UNLESS OTHERWISE SPECIFIED: DIMENSIONS ARE IN INCHES TOLERANCES: TWO PLACE DECIMAL $\pm .01$ THREE PLACE DECIMAL $\pm .005$ FOUR PLACE DECIMAL $\pm .0005$ ANGLES $\pm 1^\circ$	ENG APPR.	3/30/15	THREAD SPEC	
	SILENCERCO, LLC 5511 S 6055 W WEST VALLEY, UT 84118		7/16-28	
THE INFORMATION CONTAINED IN THIS DRAWING IS THE SOLE PROPERTY OF SILENCERCO, LLC. ANY REPRODUCTION IN PART OR AS A WHOLE WITHOUT THE WRITTEN PERMISSION OF SILENCERCO, LLC IS PROHIBITED.	PROPRIETARY AND CONFIDENTIAL		SIZE	DRAWING REV.
	A		Part No.	
			SCALE: 3:1	SHEET 1 OF 7



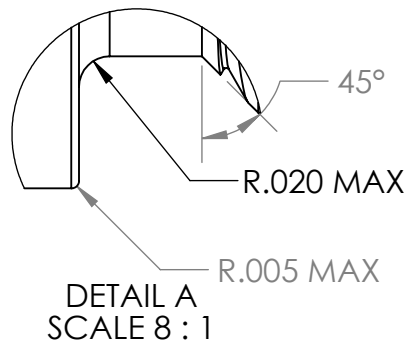
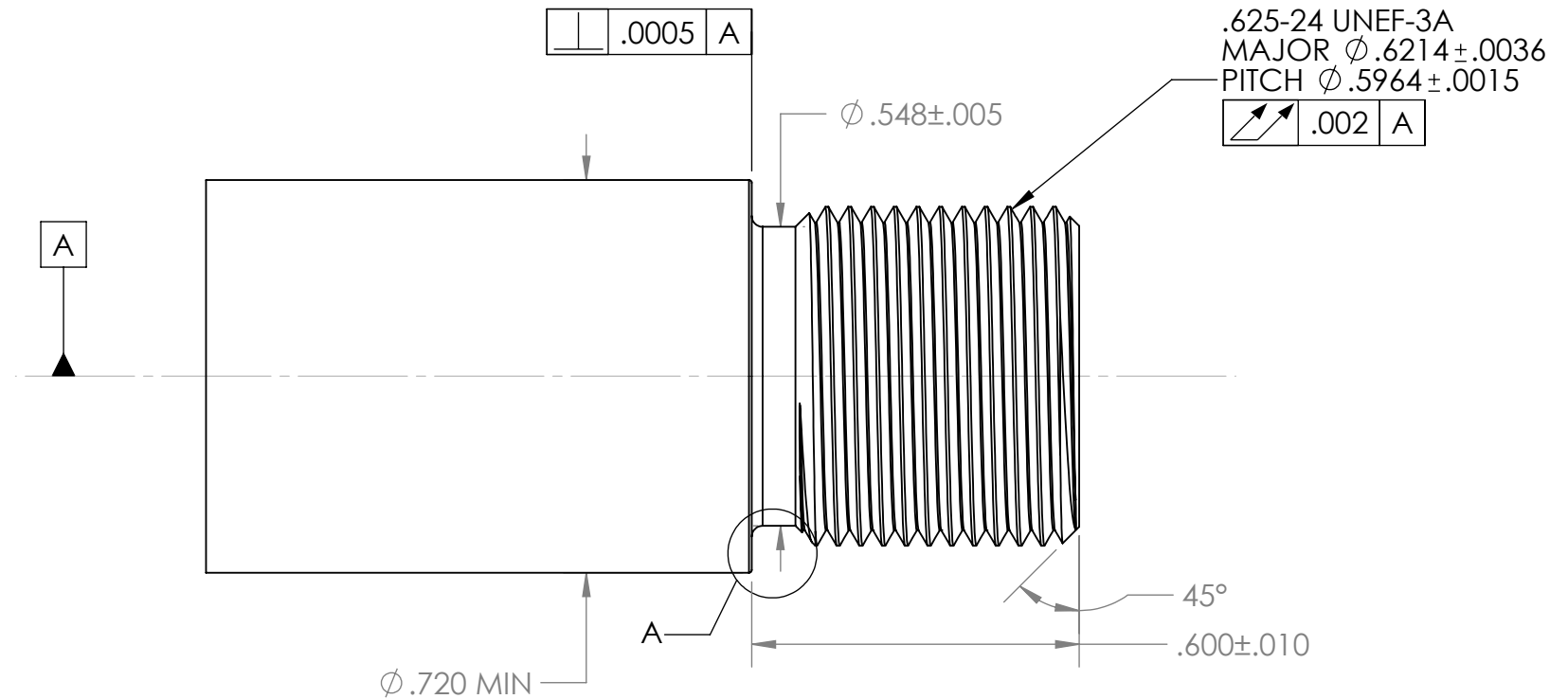
INTERPRET GEOMETRIC TOLERANCING PER ASME Y14.5-2009	NAME	DATE	Part Name: SILENCERCO RIFLE THREAD SPEC 1/2-28
MATERIAL	DRAWN	DC	
UNLESS OTHERWISE SPECIFIED: DIMENSIONS ARE IN INCHES TOLERANCES: TWO PLACE DECIMAL ±.01 THREE PLACE DECIMAL ±.005 FOUR PLACE DECIMAL ±.0005 ANGLES ±1°	ENG APPR.		
	SILENCERCO, LLC 5511 S 6055 W WEST VALLEY, UT 84118 PROPRIETARY AND CONFIDENTIAL <small>THE INFORMATION CONTAINED IN THIS DRAWING IS THE SOLE PROPERTY OF SILENCERCO, LLC. ANY REPRODUCTION IN PART OR AS A WHOLE WITHOUT THE WRITTEN PERMISSION OF SILENCERCO, LLC IS PROHIBITED.</small>		
	SIZE	Part No.	DRAWING REV.
	A		
			SCALE: 3:1 SHEET 2 OF 7



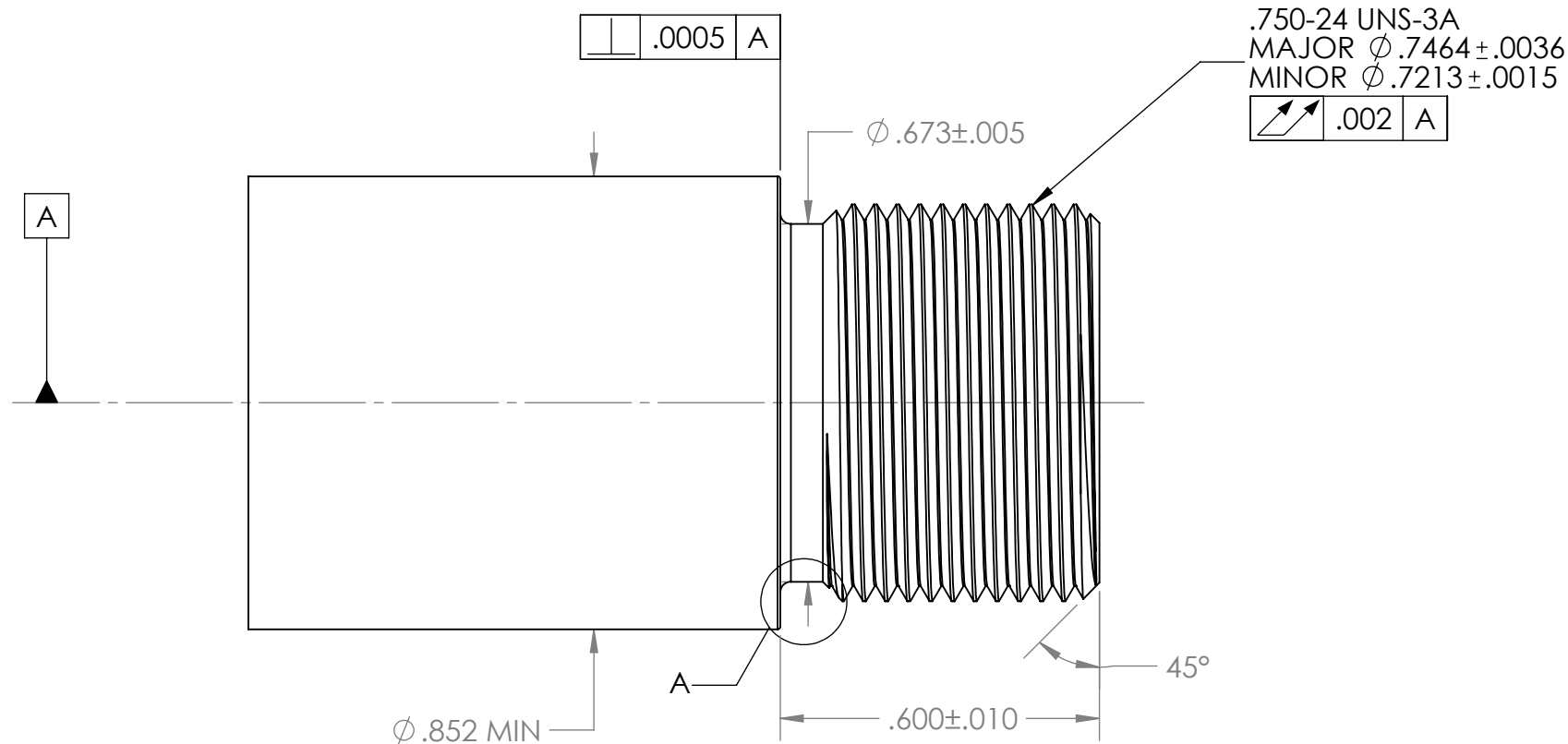
INTERPRET GEOMETRIC TOLERANCING PER ASME Y14.5-2009	NAME	DATE
MATERIAL	DRAWN DC	3/30/15
	ENG APPR.	
UNLESS OTHERWISE SPECIFIED: DIMENSIONS ARE IN INCHES TOLERANCES: TWO PLACE DECIMAL $\pm .01$ THREE PLACE DECIMAL $\pm .005$ FOUR PLACE DECIMAL $\pm .0005$ ANGLES $\pm 1^\circ$	SILENCERCO, LLC 5511 S 6055 W WEST VALLEY, UT 84118 PROPRIETARY AND CONFIDENTIAL <small>THE INFORMATION CONTAINED IN THIS DRAWING IS THE SOLE PROPERTY OF SILENCERCO, LLC. ANY REPRODUCTION IN PART OR AS A WHOLE WITHOUT THE WRITTEN PERMISSION OF SILENCERCO, LLC IS PROHIBITED.</small>	

Part Name:
**SILENCERCO RIFLE
 THREAD SPEC
 9/16-24**

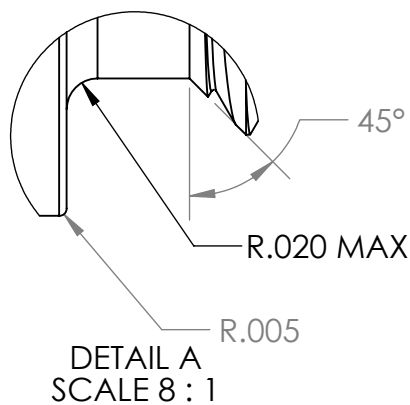
SIZE A	Part No.	DRAWING REV.
------------------	----------	--------------



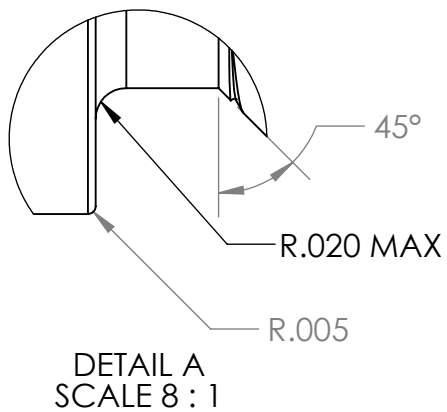
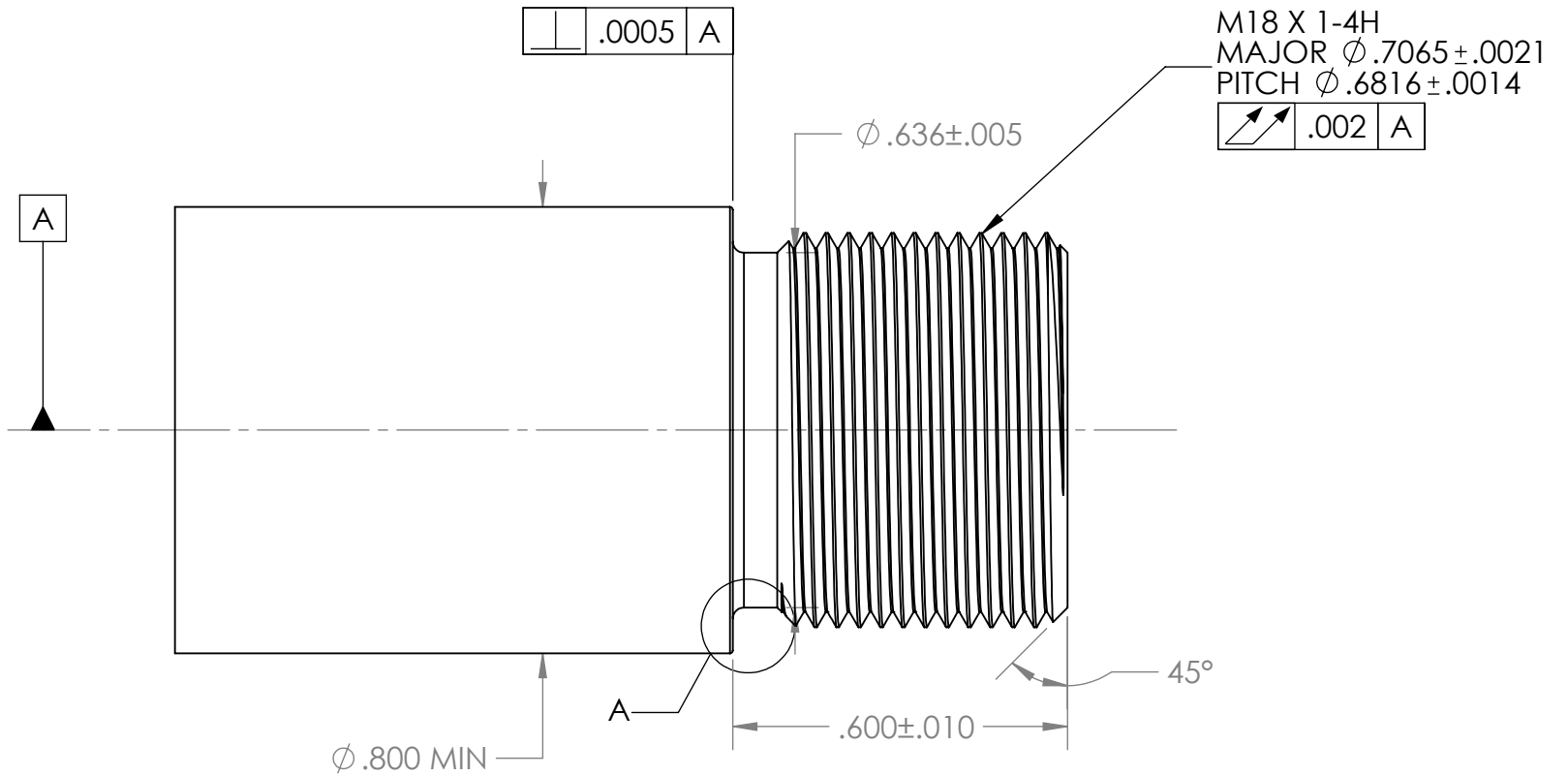
INTERPRET GEOMETRIC TOLERANCING PER ASME Y14.5-2009	NAME	DATE	Part Name:	
MATERIAL	DRAWN	DC	SILENCERCO RIFLE THREAD SPEC 5/8-24	
UNLESS OTHERWISE SPECIFIED: DIMENSIONS ARE IN INCHES TOLERANCES:	ENG APPR.	3/30/15	SIZE Part No. DRAWING REV.	
TWO PLACE DECIMAL ±.01 THREE PLACE DECIMAL ±.005 FOUR PLACE DECIMAL ±.0005 ANGLES ±1°	SILENCERCO, LLC 5511 S 6055 W WEST VALLEY, UT 84118		A	
	PROPRIETARY AND CONFIDENTIAL THE INFORMATION CONTAINED IN THIS DRAWING IS THE SOLE PROPERTY OF SILENCERCO, LLC. ANY REPRODUCTION IN PART OR AS A WHOLE WITHOUT THE WRITTEN PERMISSION OF SILENCERCO, LLC IS PROHIBITED.			
			SCALE: 3:1	SHEET 4 OF 7



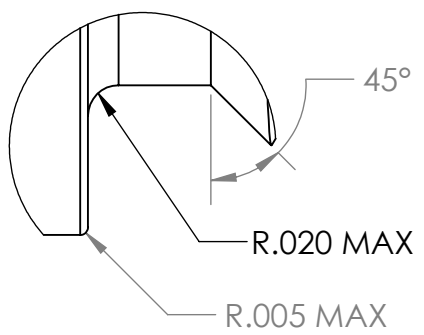
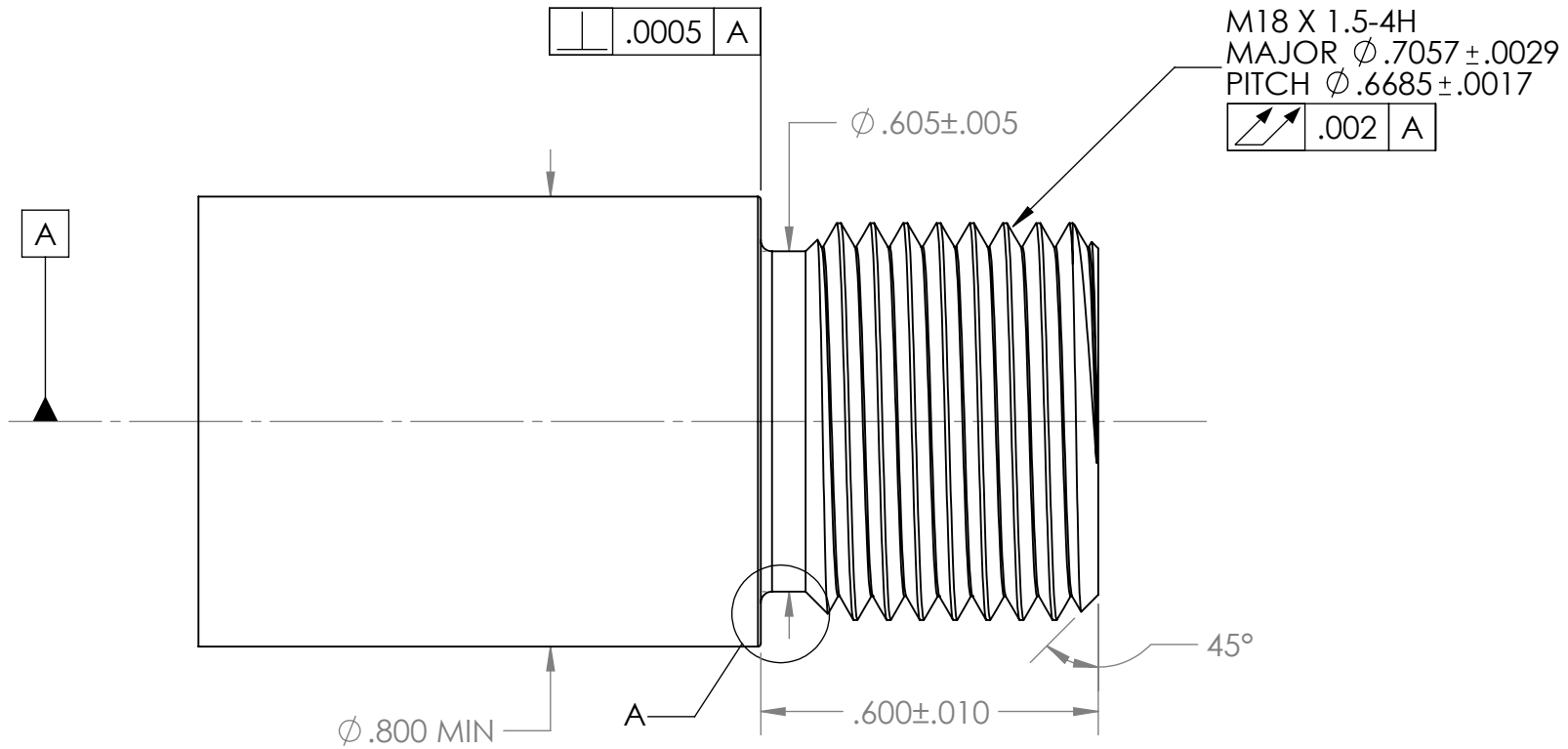
.750-24 UNS-3A
 MAJOR $\phi .7464 \pm .0036$
 MINOR $\phi .7213 \pm .0015$
 $\sqrt{\text{ }}$.002 A



INTERPRET GEOMETRIC TOLERANCING PER ASME Y14.5-2009	NAME	DATE	Part Name: SILENCERCO RIFLE THREAD SPEC 3/4-24
MATERIAL	DRAWN	DC	
	ENG APPR.	3/30/15	
UNLESS OTHERWISE SPECIFIED: DIMENSIONS ARE IN INCHES TOLERANCES: TWO PLACE DECIMAL $\pm .01$ THREE PLACE DECIMAL $\pm .005$ FOUR PLACE DECIMAL $\pm .0005$ ANGLES $\pm 1^\circ$	SILENCERCO, LLC 5511 S 6055 W WEST VALLEY, UT 84118 PROPRIETARY AND CONFIDENTIAL THE INFORMATION CONTAINED IN THIS DRAWING IS THE SOLE PROPERTY OF SILENCERCO, LLC. ANY REPRODUCTION IN PART OR AS A WHOLE WITHOUT THE WRITTEN PERMISSION OF SILENCERCO, LLC IS PROHIBITED.		
	SIZE	Part No.	DRAWING REV.
	A		



INTERPRET GEOMETRIC TOLERANCING PER ASME Y14.5-2009	NAME	DATE	Part Name:	
MATERIAL	DRAWN	DC	SILENCERCO RIFLE THREAD SPEC M18X1	
UNLESS OTHERWISE SPECIFIED: DIMENSIONS ARE IN INCHES TOLERANCES: TWO PLACE DECIMAL \pm .01 THREE PLACE DECIMAL \pm .005 FOUR PLACE DECIMAL \pm .0005 ANGLES \pm 1°	ENG APPR.	3/30/15	SIZE Part No. DRAWING REV. A	
	SILENCERCO, LLC 5511 S 6055 W WEST VALLEY, UT 84118 PROPRIETARY AND CONFIDENTIAL THE INFORMATION CONTAINED IN THIS DRAWING IS THE SOLE PROPERTY OF SILENCERCO, LLC. ANY REPRODUCTION IN PART OR AS A WHOLE WITHOUT THE WRITTEN PERMISSION OF SILENCERCO, LLC IS PROHIBITED.			
			SCALE: 3:1	SHEET 6 OF 7



DETAIL A
SCALE 8 : 1

INTERPRET GEOMETRIC TOLERANCING PER ASME Y14.5-2009	NAME	DATE	Part Name: SILENCERCO RIFLE THREAD SPEC M18X1.5	
MATERIAL	DRAWN	DC 3/30/15		
UNLESS OTHERWISE SPECIFIED: DIMENSIONS ARE IN INCHES TOLERANCES: TWO PLACE DECIMAL ±.01 THREE PLACE DECIMAL ±.005 FOUR PLACE DECIMAL ±.0005 ANGLES ±1°	ENG APPR.			
SILENCERCO, LLC 5511 S 6055 W WEST VALLEY, UT 84118 PROPRIETARY AND CONFIDENTIAL THE INFORMATION CONTAINED IN THIS DRAWING IS THE SOLE PROPERTY OF SILENCERCO, LLC. ANY REPRODUCTION IN PART OR AS A WHOLE WITHOUT THE WRITTEN PERMISSION OF SILENCERCO, LLC IS PROHIBITED.		SIZE A	Part No.	DRAWING REV.
			SCALE: 3:1	SHEET 7 OF 7