

O M E G A







We at SilencerCo® hope that you enjoy the technological advancements offered by the Omega™ sound suppressor. To provide for your safety and the effective use of this suppressor, it is critical that the owner and any user of the suppressor read this entire manual and follow strictly the warnings and instructions within. This suppressor is intended to be used only by those who are well-versed in the safe operation of firearms.

MANUFACTURER'S DISCLAIMER

SilencerCo is not responsible for improper usage of this product. This product is potentially dangerous, and as such, it is the user's responsibility to understand and implement its proper use. If you do not understand the instructions in this manual, please contact SilencerCo for further clarification at (801)417.5384.

SONIC CRACK

The Omega is designed to suppress the initial muzzle blast and subsequent projectile de-corking pressure. The Omega does not contact or otherwise interact with the projectile, allowing the projectile to travel at its default velocity. When using supersonic ammunition, a sonic crack is produced by the projectile as it breaks the sound barrier. Depending on the geography of the area, the sonic crack may vary in volume. This is solely a function of the projectile breaking the sound barrier and is not related to suppressor performance.

WARNING

Failure to follow installation and maintenance instructions detailed in this manual may result in serious personal injury and damage to the weapon. Firearm sound suppressors are user-attached firearm muzzle devices, and as such, are subject to improper attachment issues unless the procedures outlined in this manual are followed precisely. Do not attempt to use this product unless you have specific training and experience in the use of firearms.

Before installing or removing the Omega sound suppressor from the host weapon, be sure that the weapon is unloaded and the action is opened so that it is visibly clear of any ammunition. If you are at all unsure as to the proper procedures to ensure that your firearm is unloaded, please consult your firearm user's manual/instructions and contact a properly licensed dealer or the manufacturer of your weapon.

Because suppressed firearms make less noise than unsuppressed firearms, it is easy to forget that they are still firearms and capable of causing bodily injury and property damage. It is of vital importance to remember that a suppressed firearm is just as dangerous as an unsuppressed firearm, and that the same safe handling requirements still apply.

When removing the Omega, use extreme caution as it may be hot to the touch after firing. Use gloves to avoid burns or other injuries.

Check the fit between barrel and suppressor before firing! The thread mount must be fully shouldered on the barrel. There should be no visible gap between the barrel shoulder and the face of the suppressor thread mount. If there is any gap, DO NOT fire the host with the suppressor attached. Poor accuracy and product damage may result if the suppressor is not fully shouldered.

Assembly and disassembly should never be performed while the suppressor is affixed in any manner to a host firearm. Always completely remove the Omega from the host firearm before assembly and/or disassembly is attempted. Before performing maintenance, removing, or installing the suppressor, open the action, ensure firearm is unloaded, and be sure the chamber is empty. Failure to do so can result in property damage, injury or death.

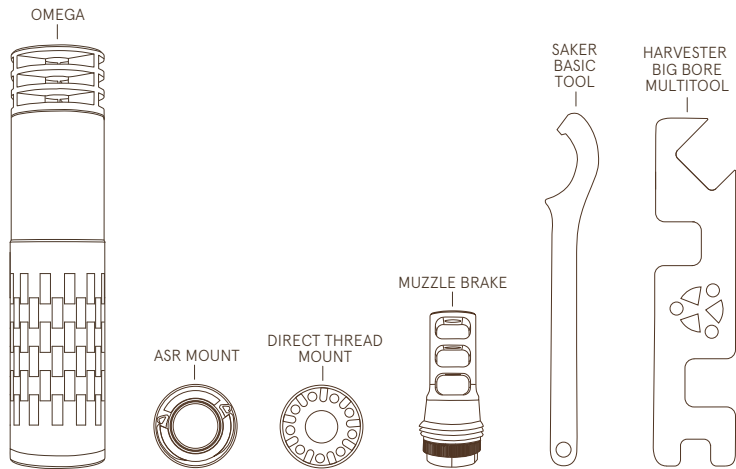
MADE IN THE USA

The Omega is shorter, lighter and quieter than any other centerfire rifle suppressor on the market. In addition to its performance, the Omega's design allows for maximum user adaptability and convenience. Each Omega comes with a 5/8x24 direct thread mount, a quick detach Active Spring Retention (ASR) mount complete with a Specwar ASR muzzle brake, and an Anchor Brake. All other accessories, including additional muzzle devices and endcaps, are sold separately. The Omega is rated for a range of ammunition from .22 Hornet to .300 Winchester Magnum.

The Omega is rated down to 10" barrels for .223 Remington/5.56 NATO, 16" barrels for .308 Winchester/7.62 NATO, and 20" barrels for .300 Win Mag.

Note: Suppressors must be free of obstructions such as mud, dirt, etc. Do NOT attempt to shoot through an obstructed suppressor.

The Omega was designed to be used "dry" and free of any ablative media, such as grease and water. If submerged in water, the user must allow a minimum 6 second drain time after exiting the water.



PRODUCT SPECS

INCLUDED

The Omega ships with the attached direct thread mount and Anchor Brake, as well as an Active Spring Retention (ASR™) quick-detach mount and muzzle brake (included in box). All tools required for installation and removal are included.

MOUNTING OPTIONS

Whether you prefer the simple, shorter nature of a direct thread setup, or the quick attach/detach features of the ASR Mount, you should take care to ensure that the Omega is mounted securely to your firearm before firing. These instructions will help to prevent the problems and dangers that can arise from improper seating.

DIRECT THREAD MOUNT

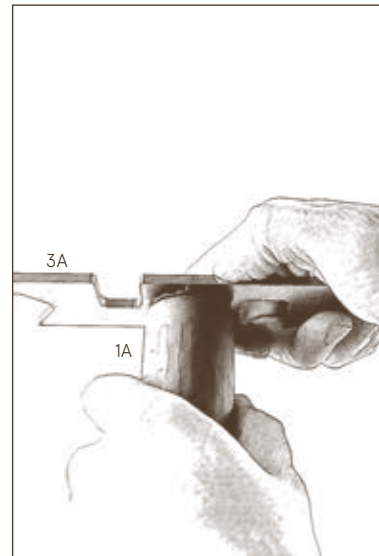
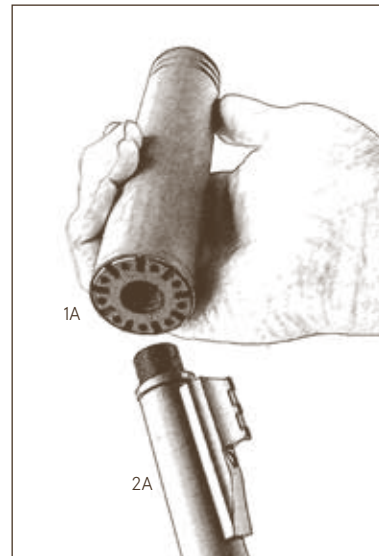
ATTACH SUPPRESSOR TO FIREARM

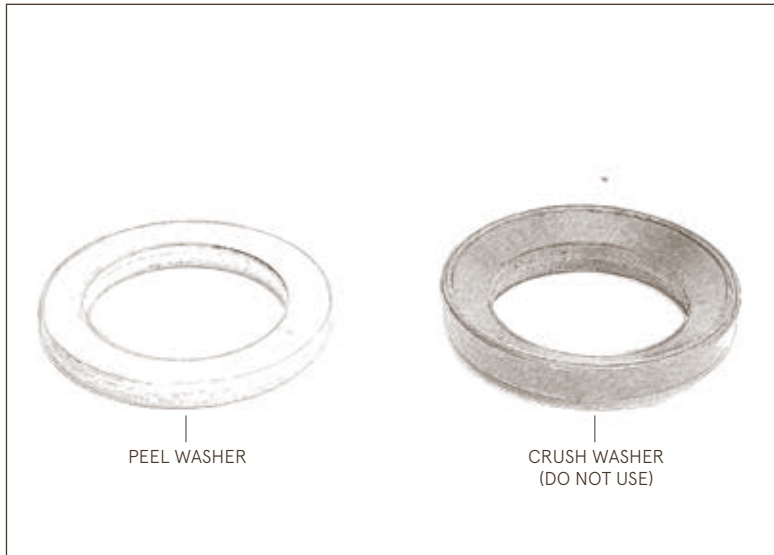
After confirming that your firearm is unloaded, place the threaded end of the Omega (1A) in line with the threads of the barrel (2A.) Taking care not to cross-thread, screw the suppressor onto the barrel until it is firmly secured and no additional barrel threading is visible. To remove from host, reverse these instructions.

Hand tighten only.

REMOVAL AND INSTALLATION OF DIRECT THREAD MOUNT

Hold the Omega body (1A) with a firm grip and use the three pegs of the Harvester Big Bore Multitool (3A) in a counter-clockwise direction to loosen the coupler from the bottom of the suppressor. To install, reverse these instructions, starting the thread by hand to avoid cross-threading.





ASR MOUNT 01

The ASR Mount is a proprietary mounting system, and as such requires a complementary muzzle brake (included).

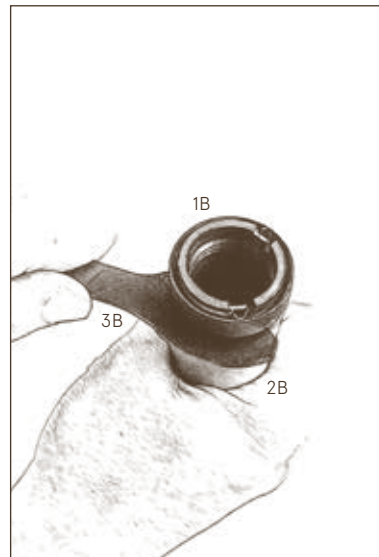
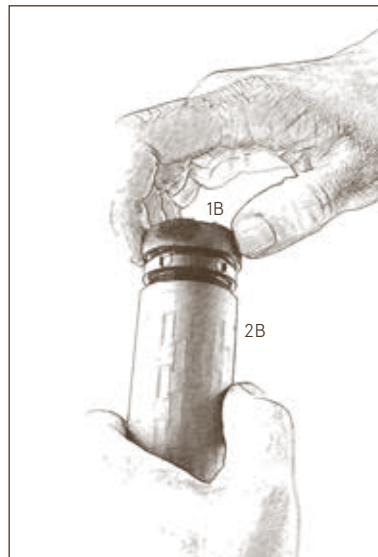
Note: Crush washers are NOT recommended as they do not crush uniformly and WILL cause improper mounting and baffle strikes. SilencerCo recommends the use of a peel washer or the included shim kit if any indexing of the mount is required.

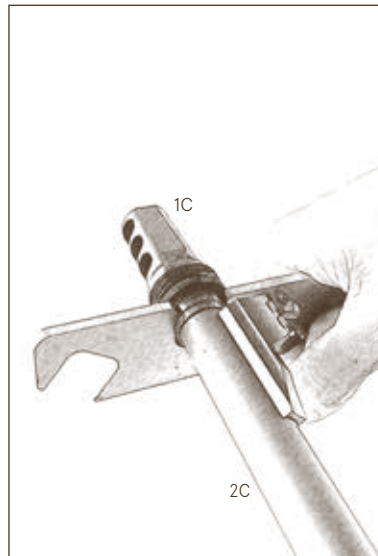
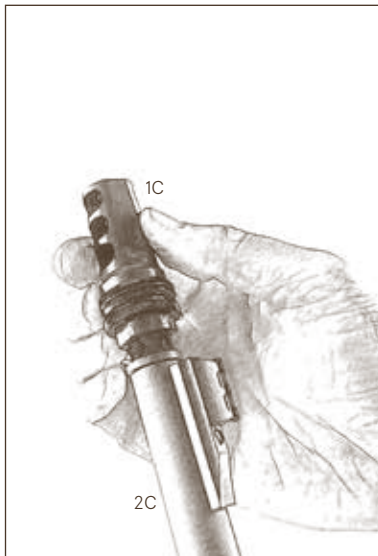
For proper alignment, it is essential that the muzzle brake seats against a 90° barrel shoulder. The flash hider/muzzle brake should be torqued to 20-30 ft-lbs. Use of Rocksett™ or Loctite Red 271™ is recommended.

ASR MOUNT 02

Step 1: Thread the ASR Mount (1B) assembly onto the Omega suppressor body (2B) by hand, taking care not to cross-thread.

Step 2: Hold the Omega body (2B) with a firm grip. Using the Saker Basic Tool (3B) to grasp the notches in the base of the ASR mount (1B), tighten the coupler in a clockwise direction. Torque to approximately 35 ft-lbs.





MUZZLE DEVICE 01

Step 1: Remove your existing muzzle device using a 3/4" open end wrench. Remove the crush washer from barrel threads.

Step 2: Install the muzzle brake (1C) by threading it onto the barrel (2C.) Use the provided shim kit to ensure proper muzzle brake alignment. Tighten onto barrel using a 3/4" open end wrench. Use of Rocksett™ or Loctite Red 271™ is recommended to secure the muzzle brake.

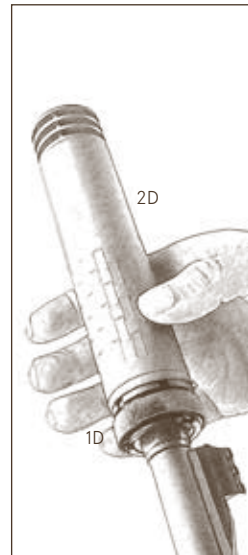
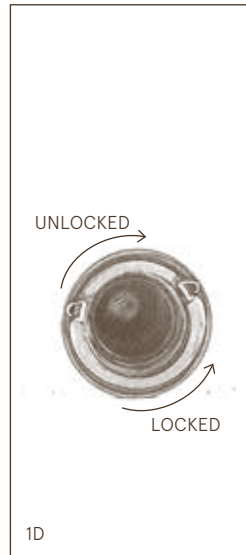
MUZZLE DEVICE 02

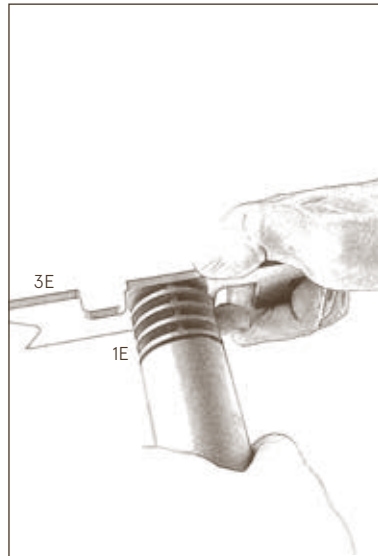
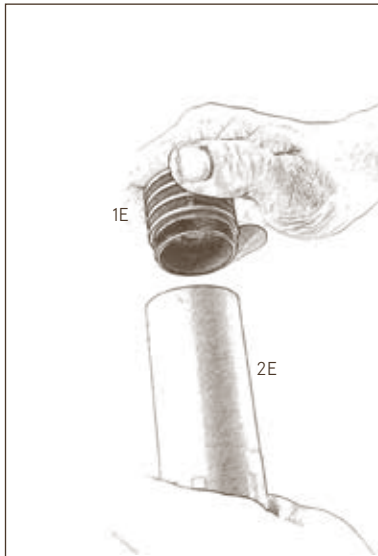
Note: Verify the ASR collar (1D) is in the unlocked position, with locking collar rotated clockwise, before installing.

Step 3: Install the Omega (2D) by sliding the back end over the muzzle brake until it stops, then turn the suppressor (2D) clockwise to hand tighten.

Step 4: Rotate the ASR collar (1D) counter-clockwise to the locked position.

To remove, perform steps three and four in reverse order.





ANCHOR BRAKE

To remove the Anchor Brake (1E) from the Omega (2E), line up the three pegs on the Harvester Big Bore Multitool (3E) with the holes on top of the brake. Holding the suppressor with a firm grip, rotate the tool counter-clockwise until the brake is removed.

To install Anchor Brake, perform steps in reverse order, starting the thread by hand to avoid cross-threading.

Warning: Firing the Omega without the Anchor Brake or a SilencerCo endcap will negate benefits of using a suppressor and will void the warranty

MAINTENANCE

The Omega typically requires limited maintenance.

Mounts should periodically be cleaned with any standard gun cleaning solvent and a brush to remove any carbon or fouling.

If necessary, run a cleaning brush through the bore to remove any light fouling of the suppressor.

Note: Do not run cleaning patches through the bore as the patches might become lodged in the suppressor and cause damage upon firing.

Caution: Always read the warning label on any cleaner or solvent, and remember that virtually all solvents are inherently dangerous and potentially toxic. Always use adequate ventilation and both skin and eye protection when using solvents.

LIMITED LIFETIME WARRANTY

LIMITATIONS TO WARRANTY: THIS WARRANTY DOES NOT COVER DAMAGE TO THE SUPPRESSOR OR THE HOST FIREARM RESULTING FROM CARELESS OR IRRESPONSIBLE HANDLING, ADJUSTMENTS OR MODIFICATIONS TO ITS DESIGN, NEGLIGENCE OR OTHER ABUSE. SILENCERCO ASSUMES NO LIABILITY WHATSOEVER FOR UNSAFE USE OF THE SUPPRESSOR OR ILLEGAL USE BY ITS PURCHASER OR ANY OTHER PERSON THAT COMES IN CONTACT WITH THE PRODUCT AFTER PURCHASE. SILENCERCO ASSUMES NO RESPONSIBILITY FOR PHYSICAL INJURY OR PROPERTY DAMAGE RESULTING FROM CARELESS OR IRRESPONSIBLE HANDLING AND/OR USE, OR BY ANY USE CONTRARY TO THE RECOMMENDATIONS, WARNINGS AND CAUTIONS GENERALLY LISTED IN THIS MANUAL. SILENCERCO DOES NOT COVER DAMAGE TO THE SUPPRESSOR OR THE HOST FIREARM RESULTING FROM IMPROPER HAND-LOADED OR RELOADED AMMUNITION OR DEFECTIVE AMMUNITION.

REPAIR POLICY

Should the silencer require repair or modification, the owner should contact SilencerCo either in writing or by telephone. Many problems can be handled without having to return the product. If it is determined that the product needs to be returned for repair or modification, contact SilencerCo customer service (801)417.5384 to obtain an RMA number. Do not return the suppressor to SilencerCo until you have contacted customer service, as an RMA code must be provided.

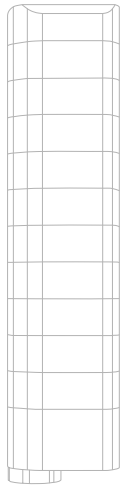
If repairs are required due to a defect in manufacturing or materials, there will be no charge for repairs.

Subject to any restrictions set forth herein, SilencerCo agrees to replace and/or repair the Omega for an unlimited amount of time. This warranty covers repair, service and replacement of damaged product caused by normal use, free of charge, only if performed at a SilencerCo facility.

Should a silencer require repair, the owner must contact SilencerCo and make arrangements to return the product. Customer must return damaged product with a legible copy of the approved ATF form and a legible written description of the problem, defect and/or malfunction. Please include in written description the serial number of the product and the events leading up to the issue, including what ammunition has been used and any host weapons that have been used.

If SilencerCo determines, at its sole and absolute discretion, that a returned suppressor is not covered under this warranty, for any reason, you may purchase a replacement product at 75% off the suggested retail price.

SALVO 12



SHOTGUN SUPPRESSOR

HARVESTER BIG BORE 338



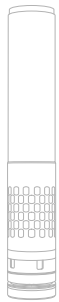
HARVESTER 30



OMEGA



SAKER 762



SAKER 556



SAKER K 556



SPECWAR 762



SPECWAR 556



SPECWAR K 556



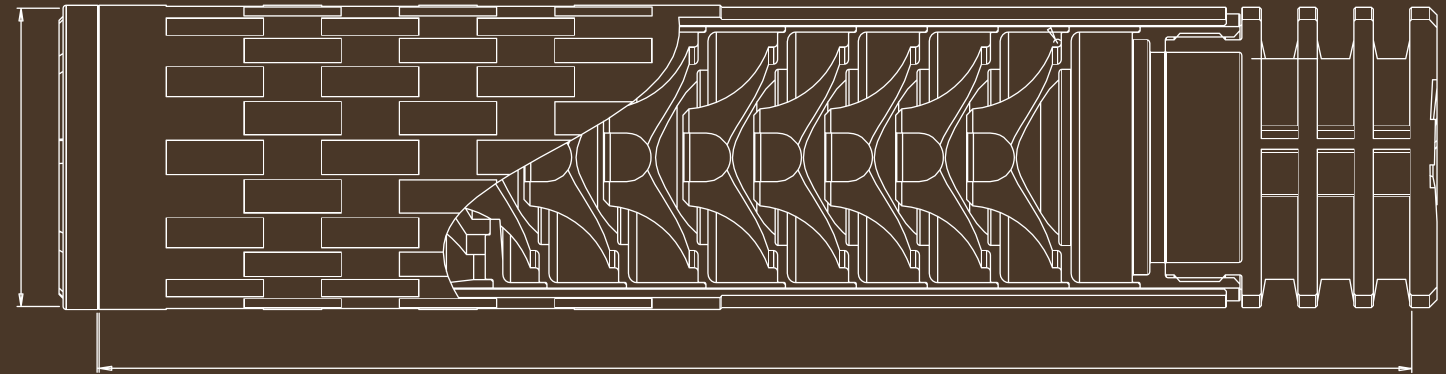
CENTERFIRE RIFLE SUPPRESSORS



PISTOL SUPPRESSORS



RIMFIRE SUPPRESSORS



SilencerCo Omega

Field Manual

Thank you for choosing to add a SilencerCo suppressor to your collection. We love what we do and take pride in the products we produce; because of this, there is no greater joy than knowing others are experiencing the results of our passion and hard work. So go out and enjoy your new suppressor (after reading the manual, of course), and thank you for choosing SilencerCo.

Sincerely and Silently,

A handwritten signature in black ink, appearing to read 'Joshua Waldron', with a stylized flourish extending to the right.

Joshua Waldron
SilencerCo Co-Founder & CEO

Note: If you have any questions whatsoever about whether you are performing the assembly, disassembly, or cleaning of the suppressor properly and in accordance with these instructions, you may contact SilencerCo customer service by phone at 801-417-5384 or via email at info@silencerco.com

For a list of available mounts and suppressors visit WWW.SILENCERCO.COM

© 2014 SilencerCo, LLC. All rights reserved. The contents of this publication may not be reproduced in any form or by any means in whole or in part without the prior written permission of the copyright owner.



 Follow Us

JOIN ASA TODAY

PROTECT YOUR RIGHTS | PROTECT YOUR HEARING





The American Suppressor Association
is fighting to protect and expand your
suppressor rights. Join the fight today!

Become a member at:

www.ASAMEMBER.com

Contact us at:

info@americansuppressorassociation.com

Find Us Online



TWITTER.COM/SILENCERCO



FACEBOOK.COM/SILENCERCO



@SILENCERCO



YOUTUBE.COM/SILENCERCO