

# ECLIPSE MENU TREE

Levels **CH1** 0.5 dB **CH2** 0.5 dB  
 IN GAIN { OUT GAIN } ( WET/DRY ) ( METER ) ▶

## LEVELS

Levels **CH1** 0.5 dB **CH2** 0.5 dB  
 { ANLG LVL } { DIG LVL } { IN MODE } { MSTR OUT } ▶

meter setup Source: Digital In  
 SOURCE ( DECAY ) ( HOLD ) ( DL CLEAR ) ▶

Programs: **[118]** Loop10  
 CRITER < <-- > < -- > < LOAD > ▶

Sort&Search Sort By: Number  
 SORT BY ( SEARCH B ) ( LOCATION ) ▶

## PROGRAM

Save Program: **[006]** Chorusdelays  
 < REMOVE > < UPDATE > < COMPARE > ( SAVE AS ) ▶

Save Program As **[001]** Banddelays  
 NUMBER < NAME > ( DBASE ) < SAVE > ▶

Assign Dbase Flags Group 0: No  
 USERGRP ( SOURCE ) ( EFFECT ) ( TOGGLE ) ▶

Name: **Loop10**  
 < INSERT > < <-- > < -- > < DELETE > ▶

**FxA** dual modfilters **FxB** diffchorus  
 < FxA: ON > < EDIT FxA > < FxB: ON > < EDIT FxB > ▶

## PARAMETERS

1-**FxA-FxB** series  
 ( ROUTING ) ( LEVELS ) < EDIT MOD > ▶

Load Program Block  
 ( PROGRAM ) ( BLOCK ) < LOAD FxA > < LOAD FxB > ▶

Routing Levels **A-1** 100% wet **A-2** 100% wet  
 FxA MIX { FxA LVL } { FxB MIX } { FxB LVL } ▶

Setup  
 TEMPO MODES DIG-IN DIG-OUT ▶

Dis Out Setup  
 FORMAT ( OPTICAL ) ( ADAT-OUT ) ( DITHER ) ▶

Digital Format CS Type: Pro  
 CS-TYPE ( EMPHASIS ) ( SCMS ) ( BITS ) ▶

Dis In Setup Dis-In: XLR  
 DIG-IN ( CLOCK ) ( SR-CHW ) ( ADAT-IN ) ▶

Setup Modes Mode: 4 Params  
 DISPMODE ( PROTECT ) ( MODBLOCK ) ( BYPASS ) ▶

Setup Modes Mode: 4 Params  
 ( PGMCHG ) ( XFADE ) ( EXPERT ) ( BACK ) ▶

Tempo Tempo: 100 BPM  
 TEMPO ( TAP SRC ) ( AVERAGE ) ( MODE ) ▶

Setup  
 DISPLAY MIDI PEDALS USERGRPS ▶

Edit Usergroups **[000]** Group 0  
 NUMBER NAME < CLEAR > ▶

UserGroup 000: **Group 0**  
 < INSERT > < <-- > < -- > < DELETE > ▶

Pedal Setup 99.6  
 PEDAL 1 ( HEEL ) ( TOE ) < CAL > ▶

MIDI Setup Channel: Omni  
 CHANNEL ( MIDIMODE ) ( SYSEX ) ( SERIAL ) ▶

Serial Setup baud rate: 57600  
 BAUD ( DATA BIT ) ( STOP BIT ) ( PARITY ) ▶

Midi Sysex Setup system exclusive: 1  
 SYS EXC ( SYSRSPD ) ( SEQ OUT ) ( CLR OUT ) ▶

MIDI Modes Prog Change: on  
 PGM CHNG ( NOTE ) ( PRES ) ( PREND ) ▶

## SETUP

Display 10  
 BRIGHT ( AUTODIM ) ( CLICK ) ▶

Click Knob Click: Off  
 KNOB ( KEYS ) ( TEMPO ) ▶

Setup  
 EXTERNAL MAPS DUMP UTILITY ▶

Utility Functions  
 VERSION COPY ( FREE MEM ) < FORMAT > ▶

Utility Functions  
 < FIX > < CLEAR > ( BACK ) ▶

Copy Programs **[001]** Mshift+Reverb8  
 SRC FROM ( SRC TO ) ( DEST FRM ) < COPY > ▶

Versions 1010  
 SERIALNO ( SYSTEM ) ( MODULES ) ( ALGS ) ▶

Versions 1010  
 ( PRESETS ) ( FPGM ) ( HARDWARE ) ( BACK ) ▶

MIDI Data Dumps Type: Current Prog  
 DATATYPE < DUMP > ▶

Midi Map 1 Map: 1  
 MAP # ( PGMCHG# ) ( PRESET # ) < RESETMAP > ▶

ext controllers  
 EXT#1 EXT#2 EXT#3 EXT#4 ▶

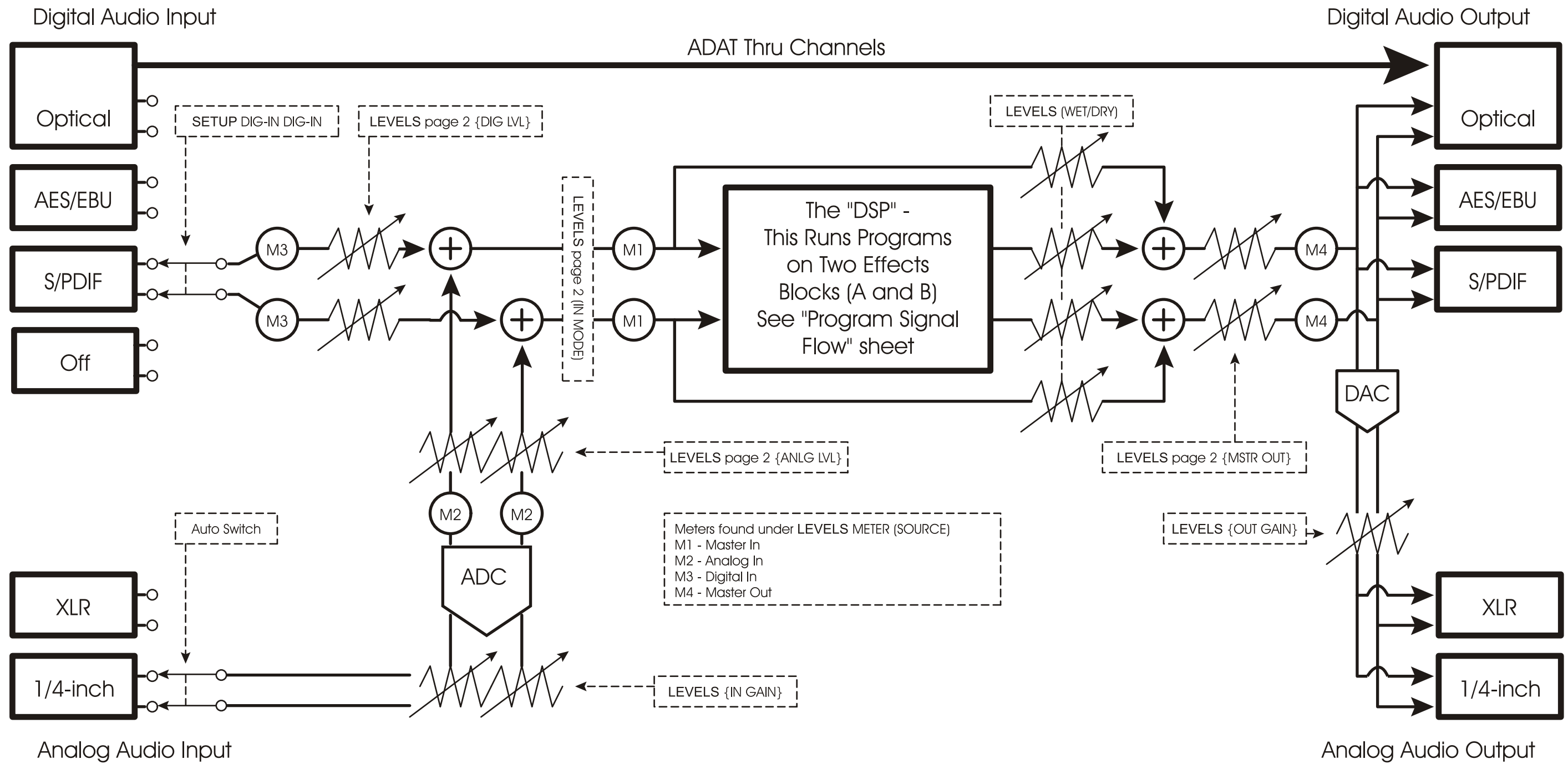
ext controllers  
 EXT#5 EXT#6 EXT#7 EXT#8 ▶

ext controllers  
 EXT#9 EXT#10 EXT#11 EXT#12 ▶

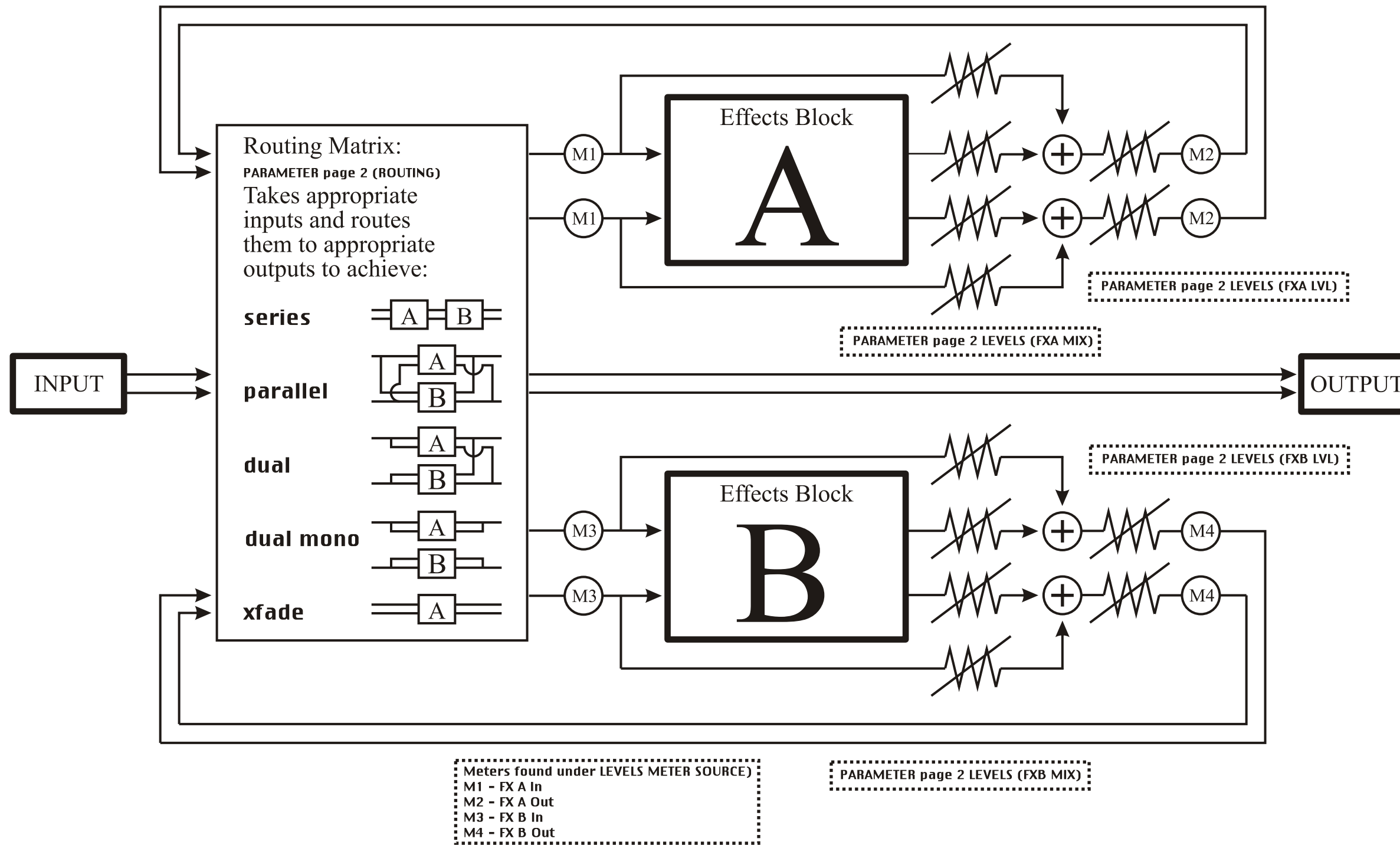
ext controllers  
 EXT#13 EXT#14 EXT#15 EXT#16 ▶

ext controllers  
 PGM + PGM - FxA BVP FxB BVP ▶

ext controllers  
 BYPASS ( BACK ) ▶



# Eclipse System Signal Flow



# Eclipse Program Signal Flow