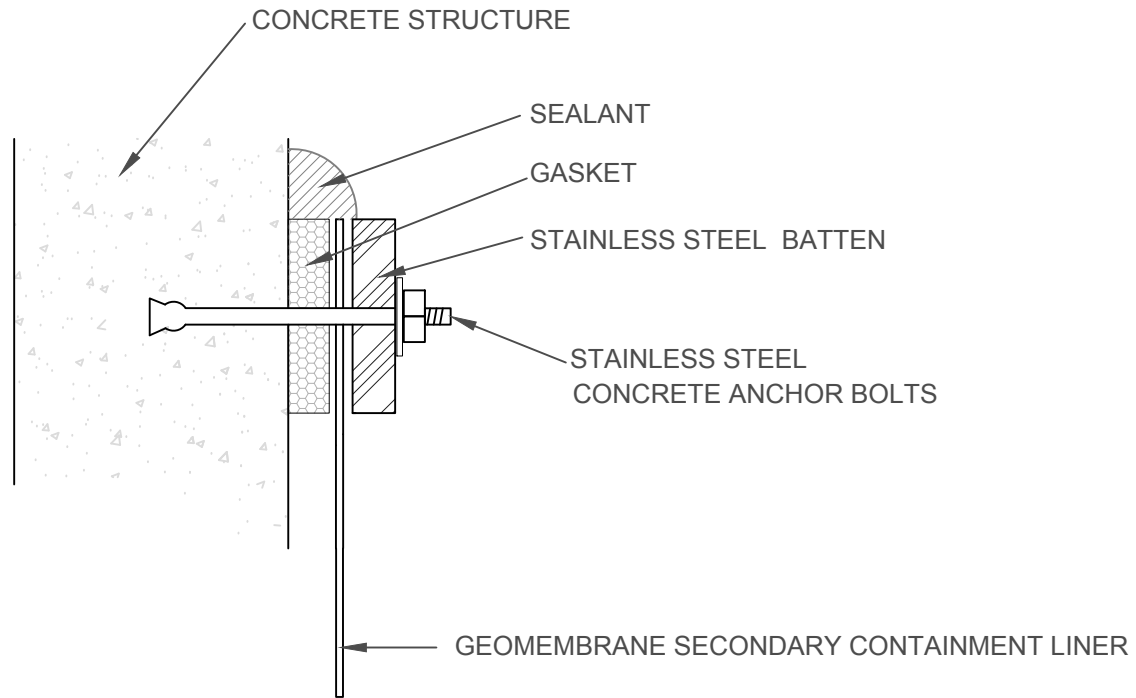


CONCRETE ATTACHMENT DETAIL



408 S. VETERANS ST., FLANDREAU, SD 57028 PHONE: 605-997-3706

Customer:	CONCRETE ATTACHMENT DETAIL			Chk By:
Scale:	N.T.S.	Drawing Number:	Page	Dwg By:
Rev. #:	Date: 12-1-2017	0000-001	1 of 1	CW