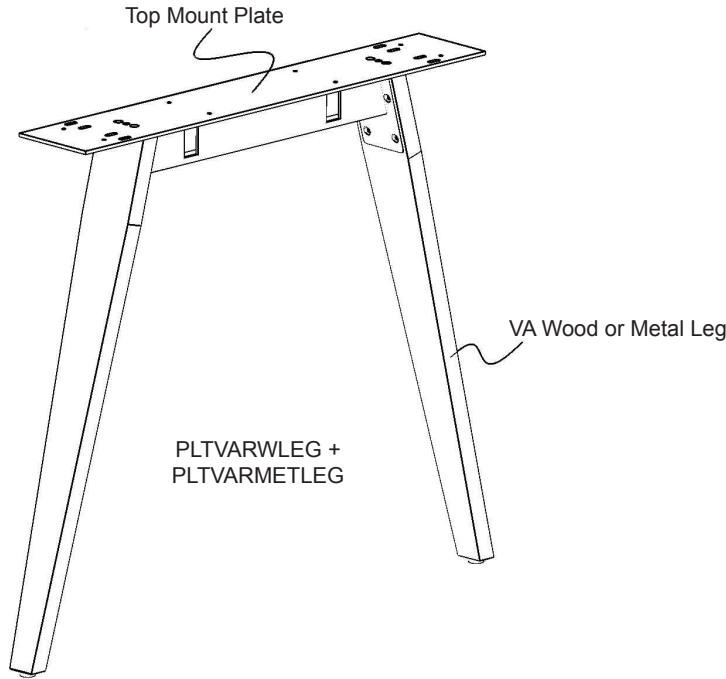



Before assembly, please remove all parts from the carton, verifying that you have the correct quantities, and read all the instructions.

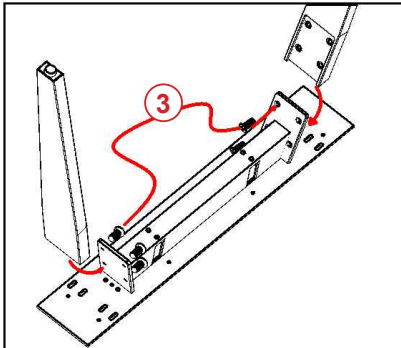
**INSTRUCTIONS:**

**IN THE CARTON:**



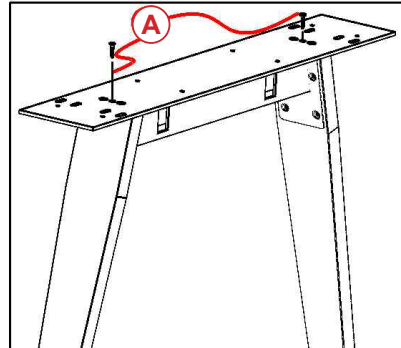
|          |                                                                                     |                  |       |
|----------|-------------------------------------------------------------------------------------|------------------|-------|
| <b>A</b> |  | 20mm Wood Screws | 2 pcs |
|----------|-------------------------------------------------------------------------------------|------------------|-------|

**Step 1**



Place the VA Wood or Metal Leg on the Top Mount Plate, and use bolts (part 3) to lightly attach the leg to the plate. Wait until everything is in place, then turn the bolts tightly.

**Step 2**



Screw in 2 screws to the VA Wood or Metal Leg.

**⚠ ATTENTION ⚠**

Do not tighten any screws or bolts until the unit is completely assembled.  
 Ensure all bolts and screws are tightened before using the table, check bolts and screws every 6 months.  
 If any parts are missing, broken, damaged or worn, stop use of product until repairs have been made using factory authorized parts.  
 Failure to follow these warnings may result in injury.