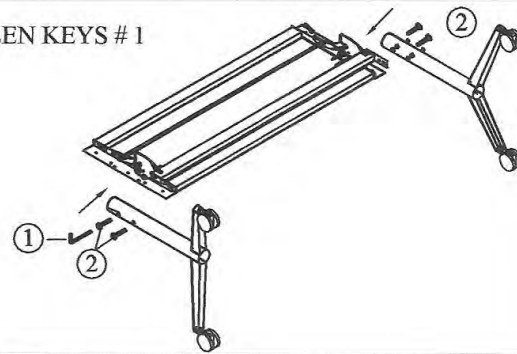
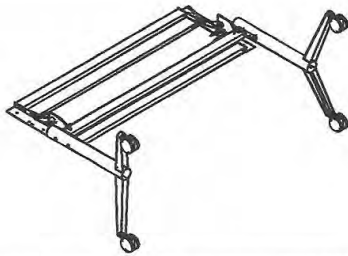




**Part List**

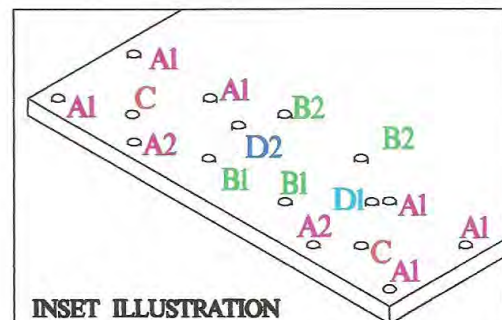
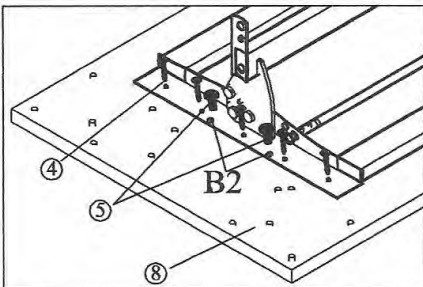
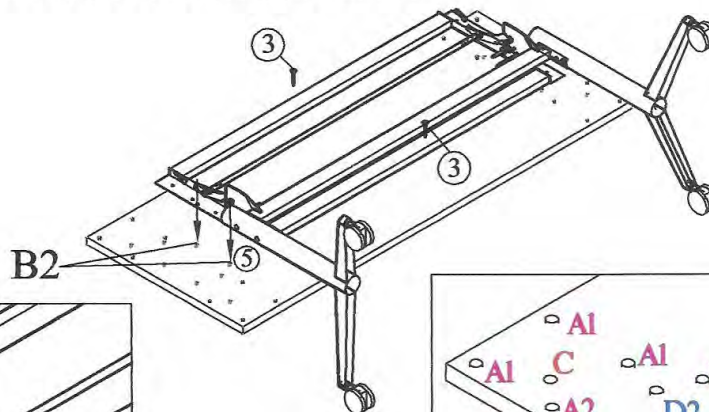
1		Allen key	1 pc
2		Bolt M8 x 50 mm	4 pcs
3		Wood Screw x 38 mm	2 pcs
4		Wood Screw x 20 mm	10 pcs
5		Bolt M6 x 16 mm	4 pcs
6		Bolt M5 x 12 mm	2 pcs
7		Plastic Handle	2 pcs

1. MOUNT LEGS TO FRAME WITH BOLT # 2 USING ALLEN KEYS # 1



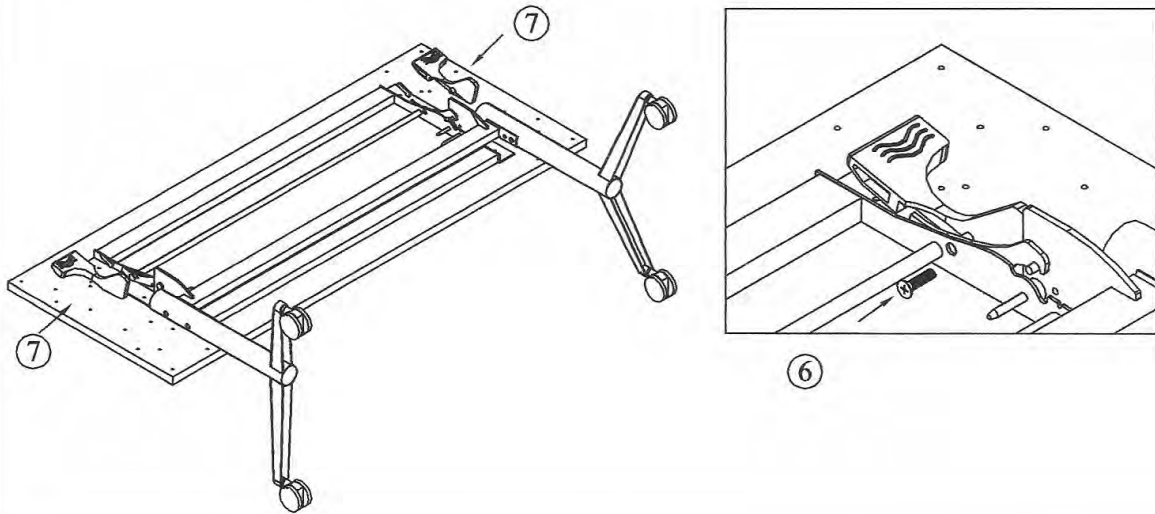
2. PLACE TABLE TOP UPSIDE DOWN ON SOFT CLEAN SURFACE .

- WHEN USING A PLT TOP, MOUNT BOLT # 5 INTO B2 HOLE . REFER TO PLT TOP DRAWING BELOW ( INSET ILLUSTRATION ) .
- INSERT WOOD SCREW # 3 THROUGH THE CROSS BEAM INTO THE UNDERSIDE THE TOP .
- INSERT WOOD SCREW # 4 THROUGH THE FRAME BRACKET .



INSET ILLUSTRATION

3. SLIDE HANDLE # 7 ONTO SILVER LEVER. INSERT BOLT # 6 THROUGH HANDLE INTO SILVER LEVER .



4. TEST CORRECT FUNCTION OF UNIT PRIOR TO USE .

