
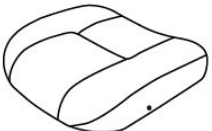



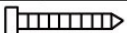
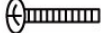

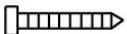


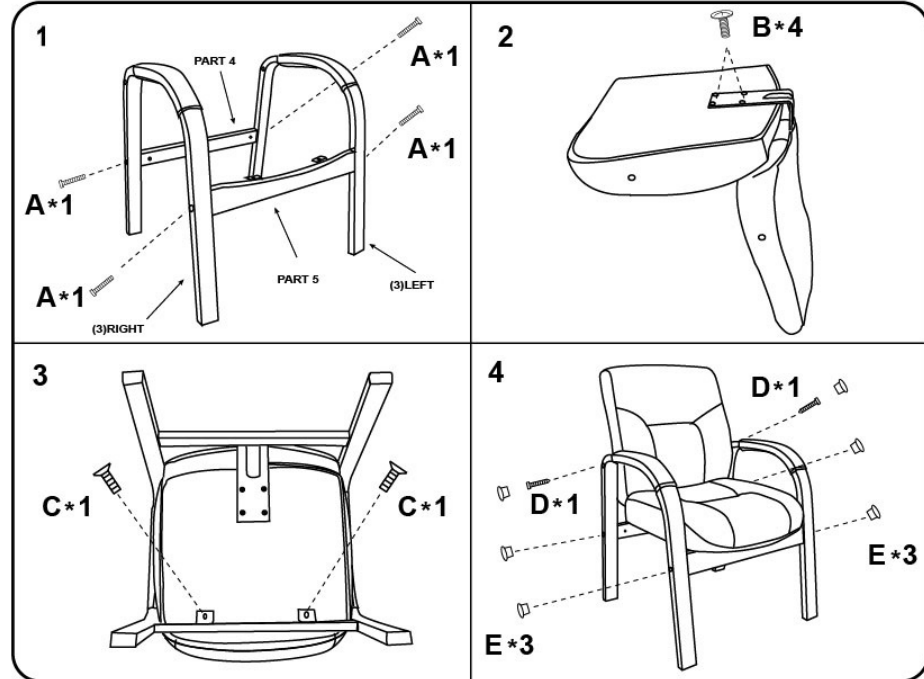


(1)x1  Back	(2)x1  Seat	(3)x1 (L)x1 (R)  Right & Left Frame
(4)x1  Back Bar	(5)x1  Front Bar	
(A)x4  M6*55 Frame Screw	(B)x4  M6*25 L-bar	(C)x2  M6*25 Front Bar
(D)x2  M6*55 Arm Screw	(E)x6  Wood Caps	(F)x1  Allen key



**NOTE:** Before insert all 6 (E) wood caps to screw holes:  
 1. Lightly tighten the screws indicate on step 1.  
 2. Tighten ALL 6 screws on step 4, then insert ALL 6 (D) wood caps to finish.

Insert and loosely tighten all screws. When assembly is completed, fully tighten all screws before using.  
 This chair is only intended for sitting. Any other use will void the warranty.

