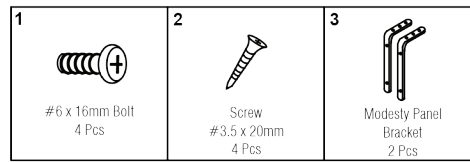
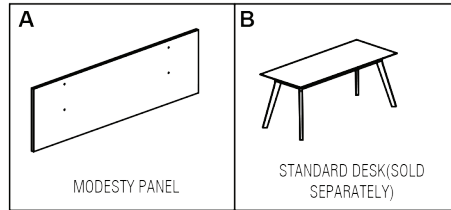


HARDWARE:

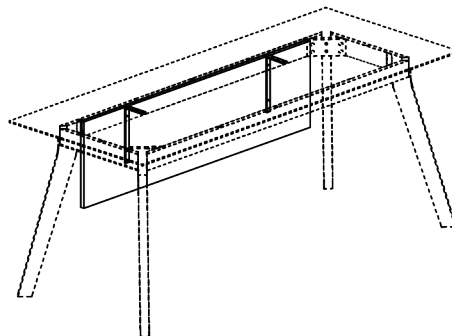
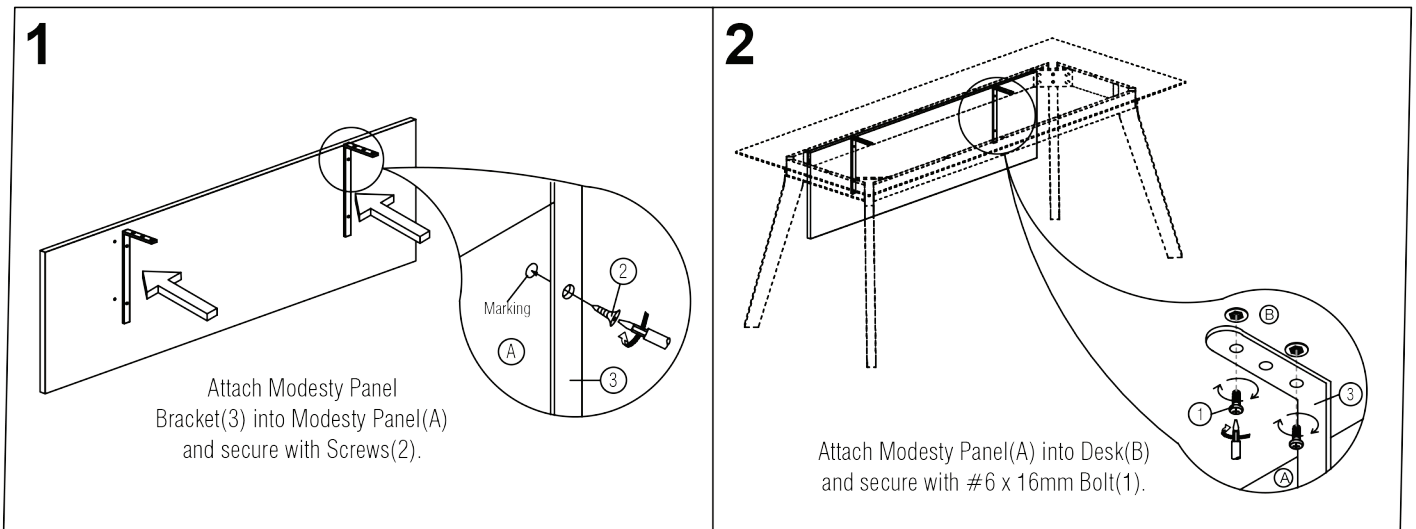


COMPONENTS:



OX9MP01,MP02,MP03

OX901,902,903



IMPORTANT NOTE:

- Place all wooden parts on a clean, smooth surface to prevent the parts from being scratched.
- Check to be sure that you have all parts and hardware.
- Remove all wrapping materials, including staples & packing straps before you start to assemble.
- Do not tighten all screws/bolts until all completely assembled.
- Keep all hardware parts out of reach of children.