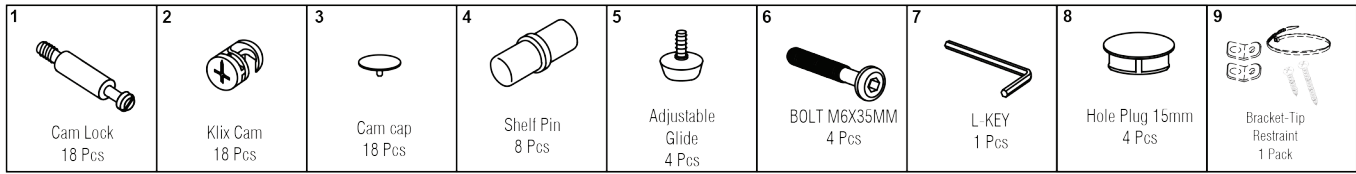
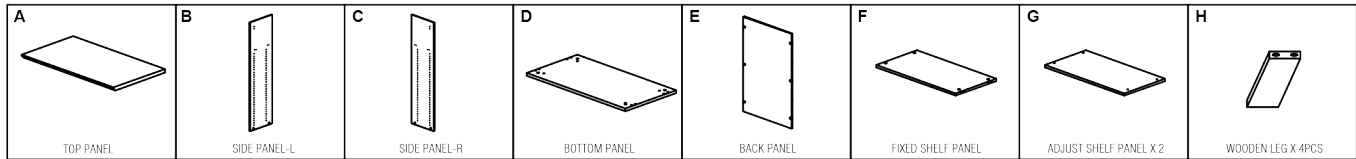


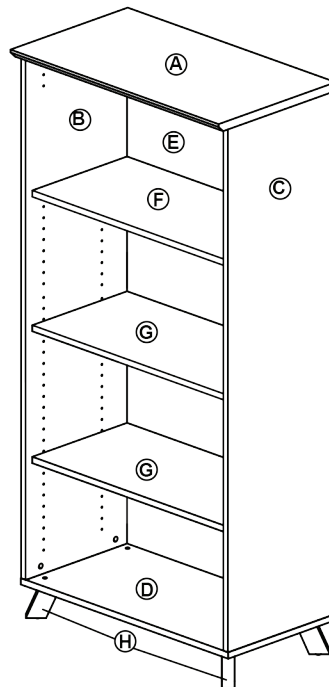
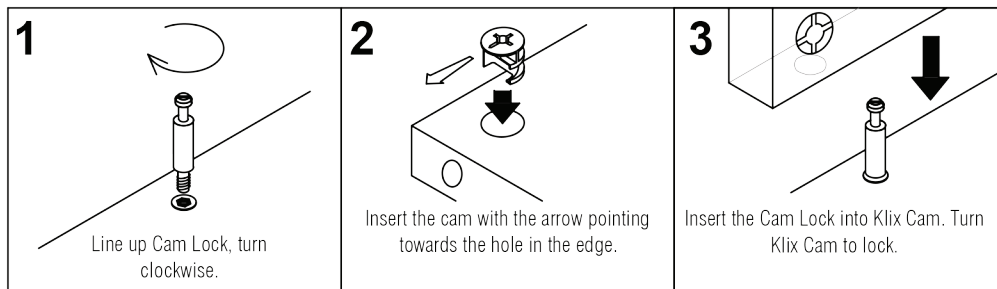
HARDWARE



COMPONENTS



KLIX CAM INSTRUCTIONS

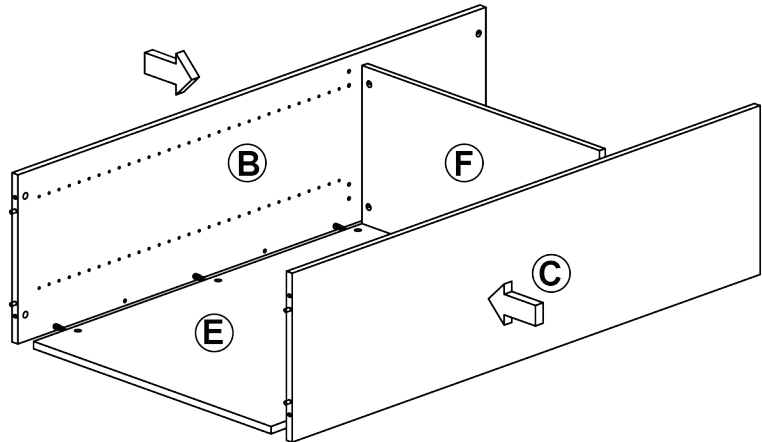


IMPORTANT NOTE :

- Place all wooden parts on a clean, smooth surface to prevent the parts from being scratched.
- Check that you have all parts and hardware.
- Remove all wrapping materials, including staples & packing straps before you start to assemble.
- Do not tighten any screws or bolts until the unit is completely assembled.
- Keep all hardware parts out of reach of children.

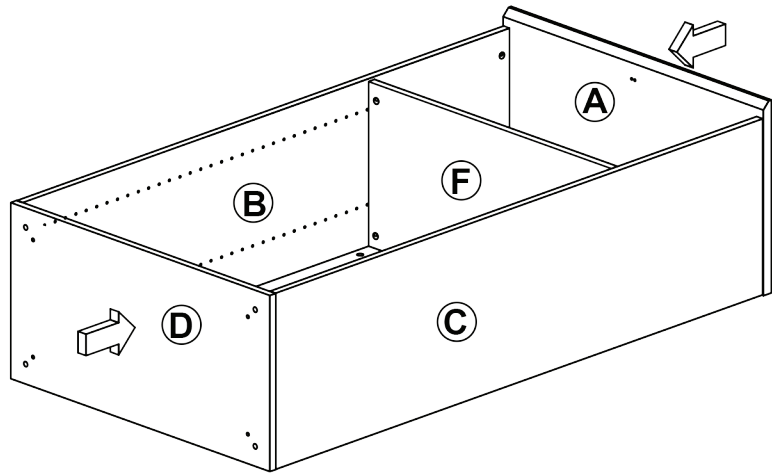
1

Attach Side Panel-L(B) & Side Panel-R(C) to Fixed Shelf(F) & Back Panel(E) using Cam Lock(1) and Klix Cam(2).



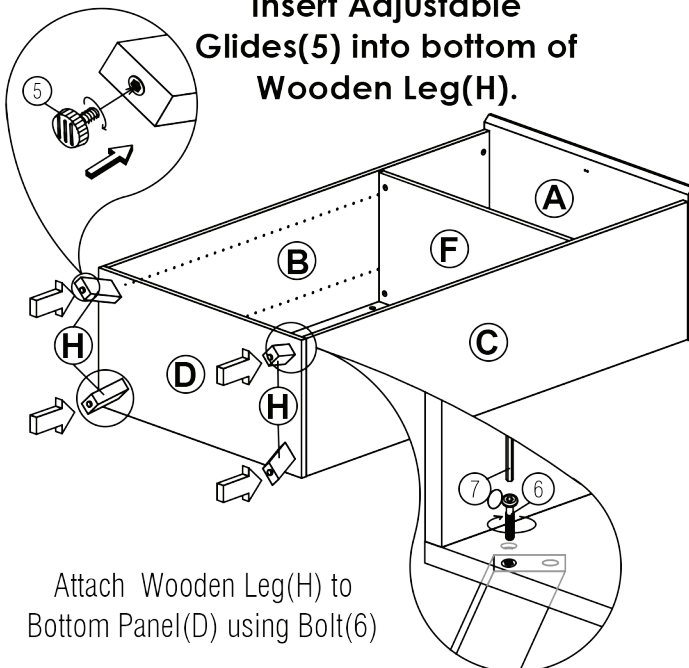
2

Attach Top Panel(A) & Bottom Panel(D) to Side Panel L(B) & Side Panel R(C) using Cam Lock(1) and Klix Cam(2).



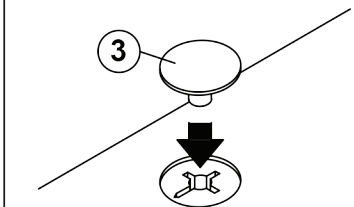
3

Insert Adjustable Glides(5) into bottom of Wooden Leg(H).



Attach Wooden Leg(H) to Bottom Panel(D) using Bolt(6)

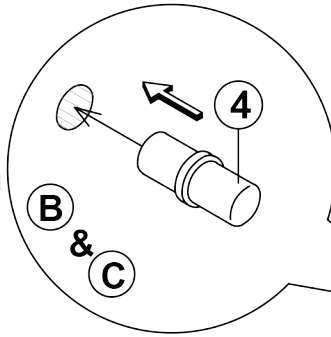
4



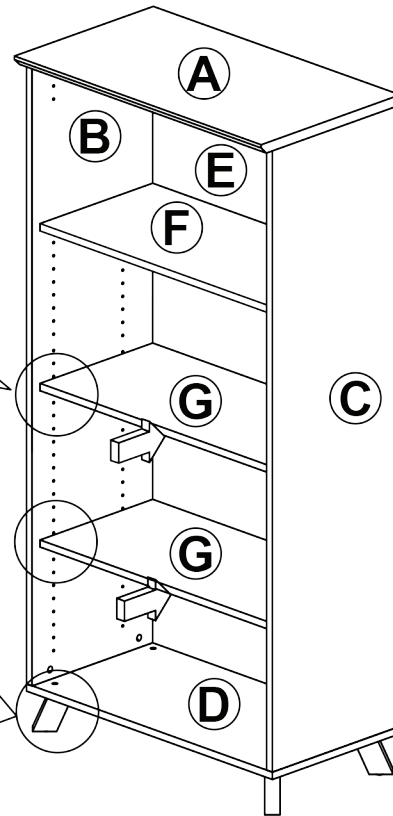
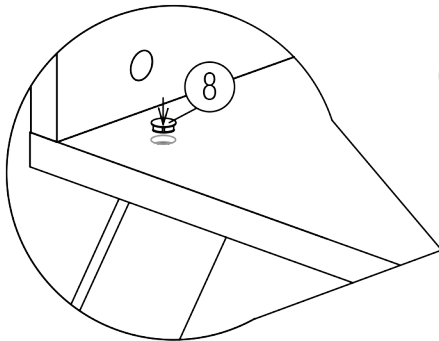
Attach Cam Cap (3) to all Klix Cam(2) by pushing neck through center of cam.

5

Insert Shelf Pins(4) and place Shelf(G) in desired location.

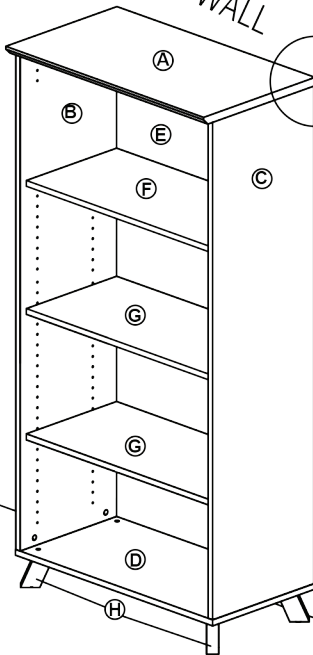


Insert the Hole Plug (8) into Bottom Panel(D).



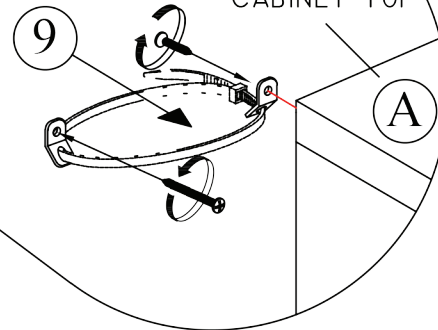
6

WALL



wall

CABINET TOP



Attach Furniture Tipping Restraint(9) on Back side of Top Panel(A) & Wall.