

HARDWARE

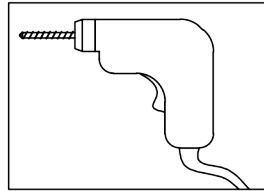
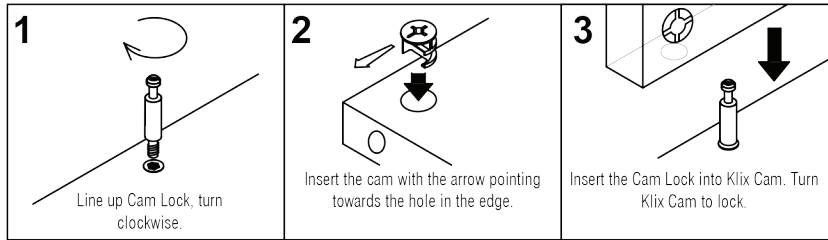
1 Cam Lock 12 Pcs	2 Klix Cam 12 Pcs	3 Cam cap 12 Pcs	4 Shelfs Pin 8 Pcs	5 Adjustable Guide 7 Pcs	6 BOLT M6X30MM 12 Pcs	7 L-KEY 1 Pc	8 FLAT WASHER 1/4 2 Pcs	9 FLAT WASHER 5/16 4 Pcs	10 SPRING WASHER M8 4 Pcs	11 Hex Nut 4 Pcs	12 Wrench (13MM) 1 Pc	13 Ø15mm Hole Plug 4 Pcs	14 Wood Dowel M6X30 2 Pcs
-----------------------------	-----------------------------	----------------------------	------------------------------	------------------------------------	---------------------------------	------------------------	-----------------------------------	------------------------------------	-------------------------------------	----------------------------	---------------------------------	------------------------------------	-------------------------------------

INCLUDED WITH OX9170

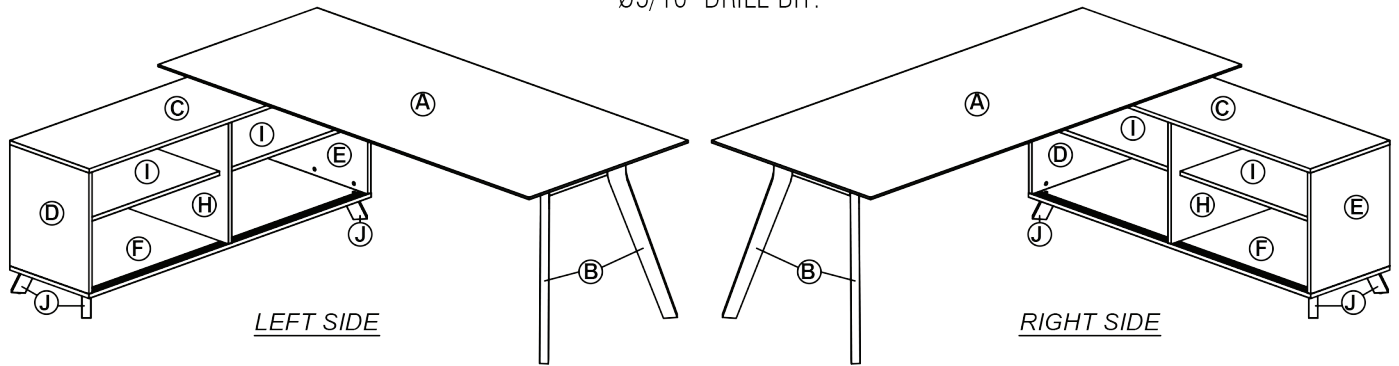
COMPONENTS

A TABLE TOP + APRON OX9170	B WOODEN LEG X 2PCS OX9170	C TOP PANEL OX9180	D SIDE PANEL-L OX9180	E SIDE PANEL-R OX9180	F BOTTOM PANEL OX9180	G BACK PANEL OX9180	H CENTER PANEL OX9180	I ADJUST SHELF PANEL X 2PCS OX9180	J WOODEN LEG X 4PCS OX9180	K SUPPORT LEG OX9180
--------------------------------------	--------------------------------------	------------------------------	---------------------------------	---------------------------------	---------------------------------	-------------------------------	---------------------------------	--	--------------------------------------	--------------------------------

KLIX CAM INSTRUCTIONS

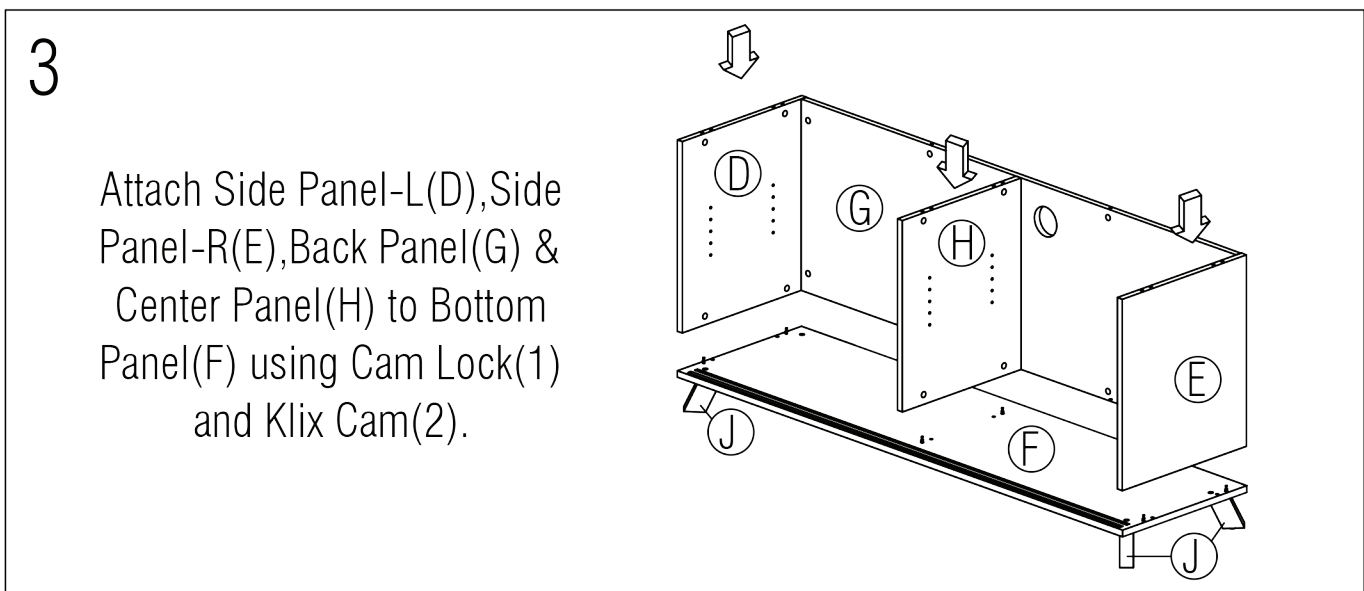
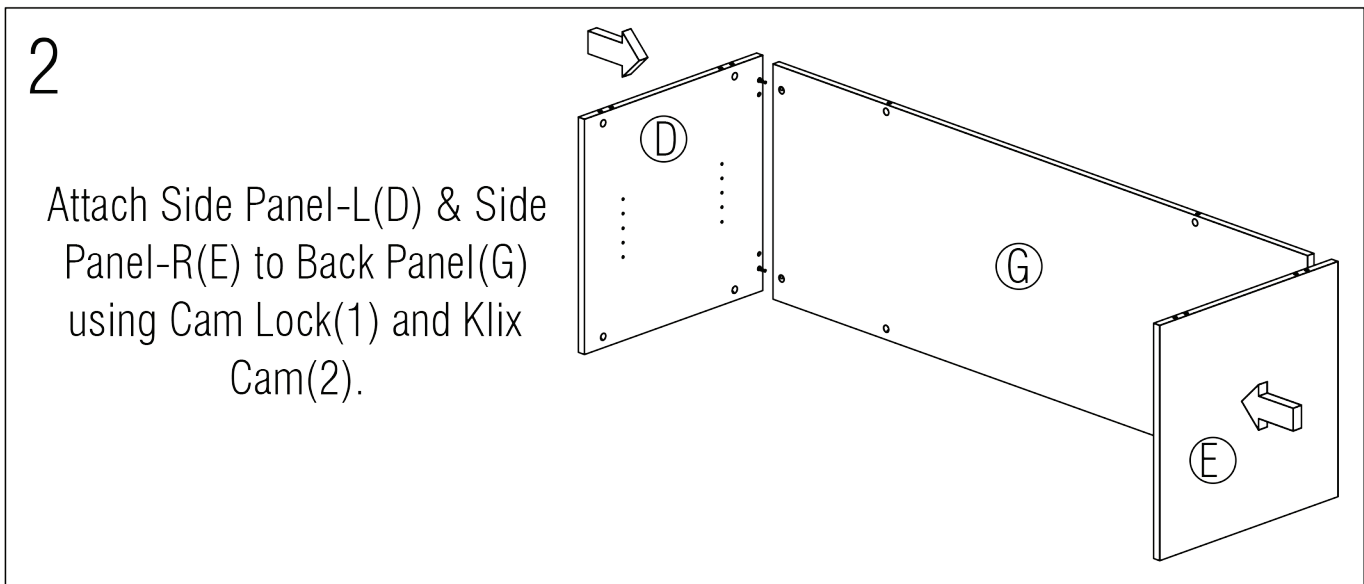
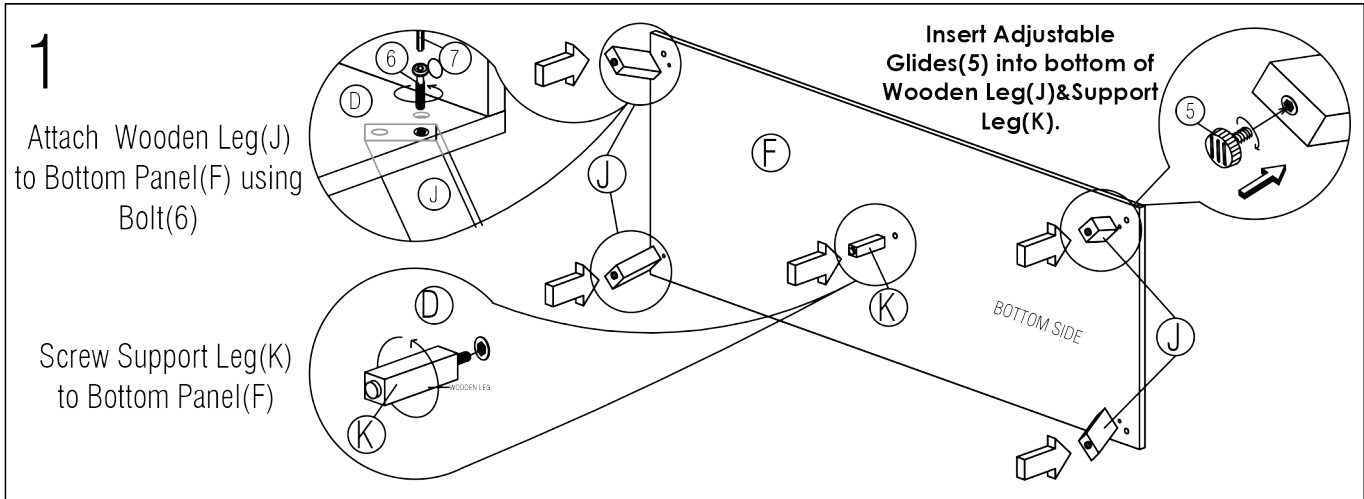


*REQUIRE DRILL WITH
Ø5/16" DRILL BIT.



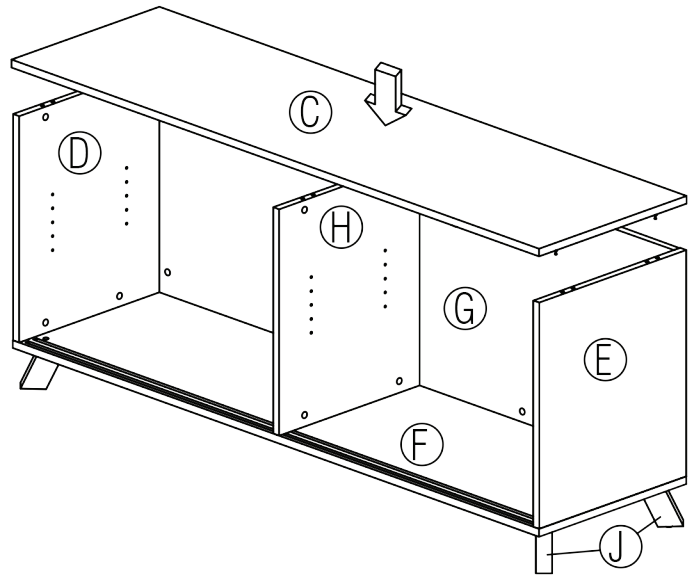
IMPORTANT NOTE :

- Place all wooden parts on a clean, smooth surface to prevent the parts from being scratched.
- Check that you have all parts and hardware.
- Remove all wrapping materials, including staples & packing straps before you start to assemble.
- Do not tighten any screws or bolts until the unit is completely assembled.
- Keep all hardware parts out of reach of children.



4

Attach Top Panel(C) to assembled panels using Cam Lock(1) and Klix Cam(2).

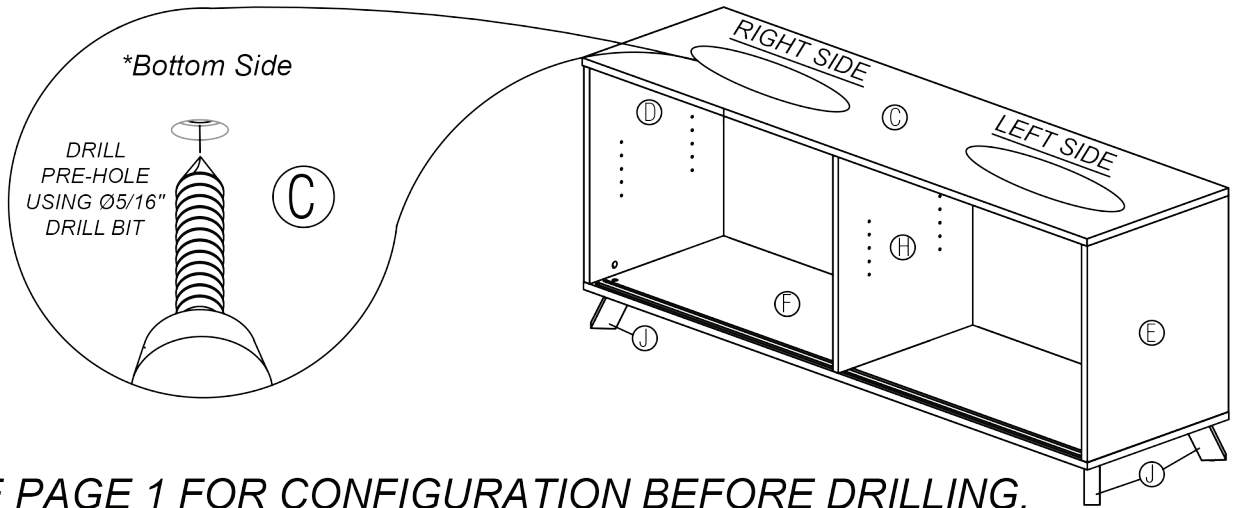


5

*Bottom Side

DRILL
PRE-HOLE
USING Ø5/16"
DRILL BIT

(C)

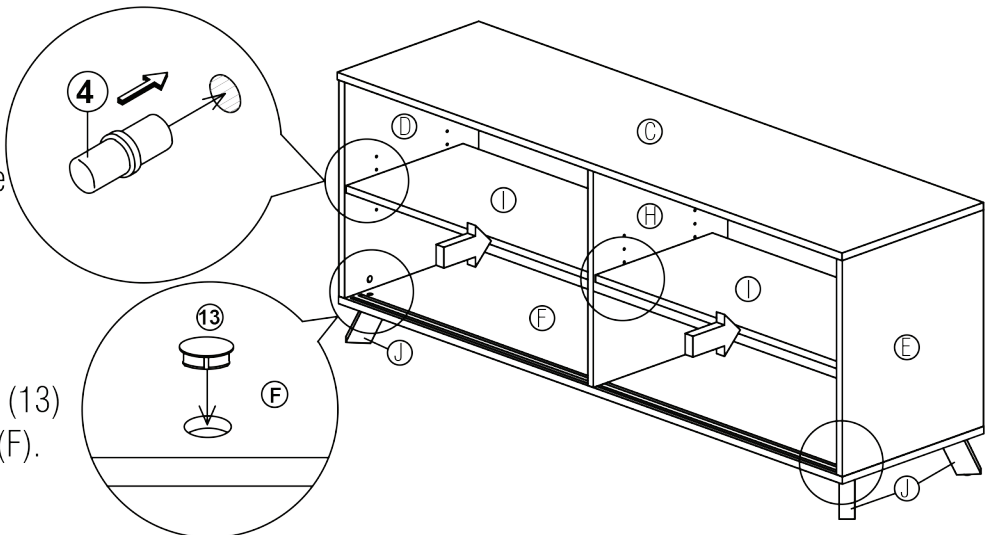


SEE PAGE 1 FOR CONFIGURATION BEFORE DRILLING.

6

Insert Shelf Support Pins(4) into the drilled holes and place Adjustable Shelves(I) at convenient distances.

Insert the Hole Plug (13) into Bottom Panel(F).



7

Attach Cam Cap (3) to all Klix Cam(2) by pushing neck through center of cam.

8

Insert Adjustable Glides(5) into bottom of Wooden Leg(B).

9

Attach Wooden Leg(2) into Top(1) and secure with Hex Nuts(C), Flat Washer(B) & Spring Washer(A).

Attach Wood Dowel(14) to Table Top(A)

10

Attach Table Top(A) to Top Panel(C) and secure with Bolt(6) & Flat Washer(8)