

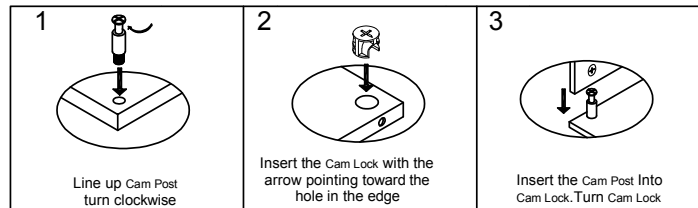
96" Standing Height Conf. Table

P.1



1  60*50*3mm 4 PCS	2  M8 Nut 28 PCS	3  Stand-off Ø20*76 4 PCS	4  Leveler 4 PCS	5  Wire Management Tray 570mm 2 PCS	6  T Support 60*20*100mm 8 PCS	7  Screw M6*65mm 12 PCS
8  Screw M8*40mm 20 PCS	9  Screw M4*14mm 16 PCS	10  Screw M6*15mm 26 PCS	11  Screw M6*40mm 8 PCS	12  Screw M6*20mm 8 PCS	13  M6 Nut 8 PCS	14  Cam Sticker 26 PCS
15  Cam Post 26 PCS	16  Cam Lock 26 PCS	17  M8*20mm 8 PCS	18  Wrench 4mm 1 PC	19  Wrench 5mm 1 PC	20  wrench(M6) 1 PC	21  wrench(M8) 1 PC

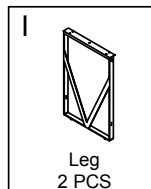
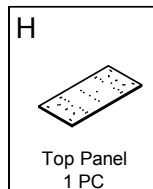
**CAM INSTRUCTION**



A  Short Modesty Panel 2 PCS	B  Long Modesty Panel 2 PCS	C  Short Fixed Shelf 2 PCS	D  Long Fixed Shelf 2 PCS	E  Frame (1620mm) 2 PCS	F  Foot Rest (1636mm) 2 PCS	G  Shelf Support Rail(1636mm) 2 PCS
---------------------------------------	--------------------------------------	-------------------------------------	------------------------------------	----------------------------------	--------------------------------------	---

EVST8AGG

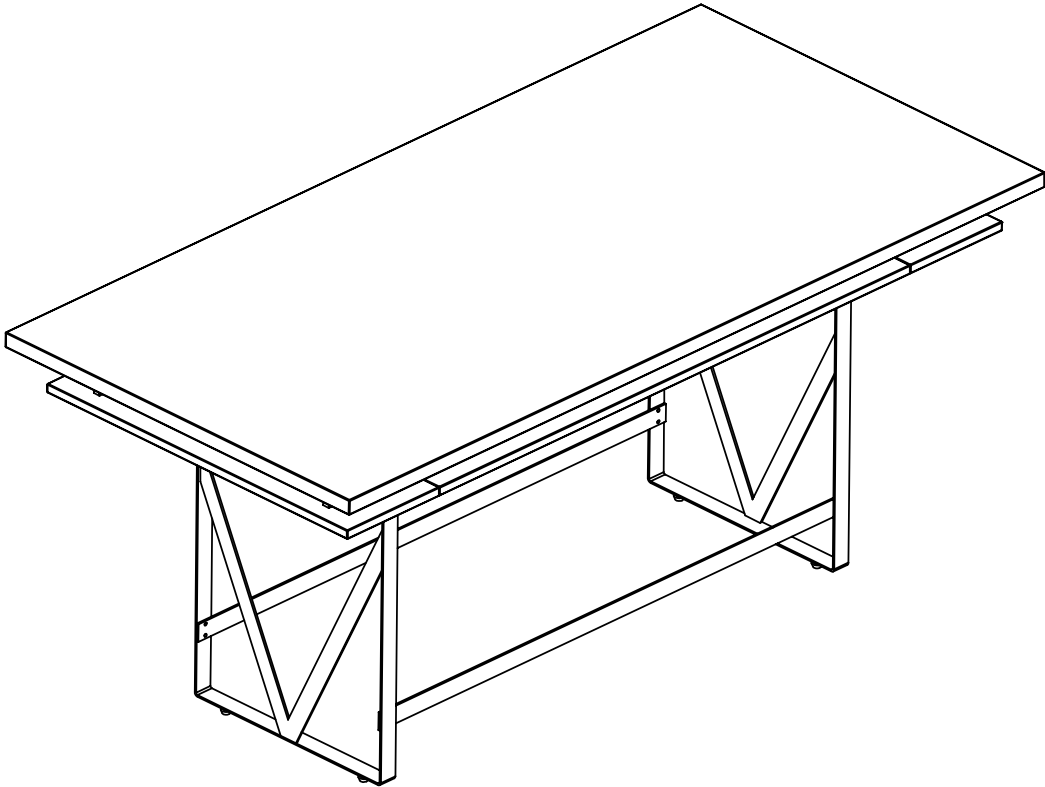
EVSTBBK



**IMPORTANT NOTE:**

Place all wooden parts on a clean and smooth surface such as a rug or carpet to avoid the parts from being scratched  
Check that you have all parts and hardware.  
Remove all wrapping materials, including staples & packing straps before you start assemble.  
Do not tighten all screws or bolts until all completely assembled.  
Keep all hardware parts out of reach of children.

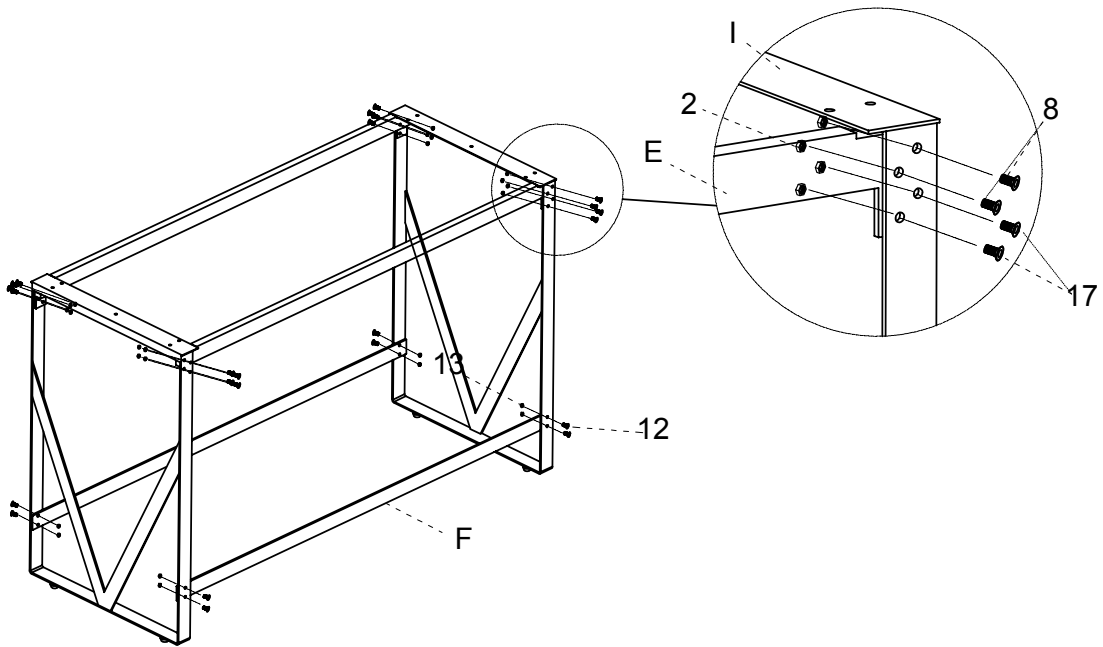
96" Standing Height Conf. Table



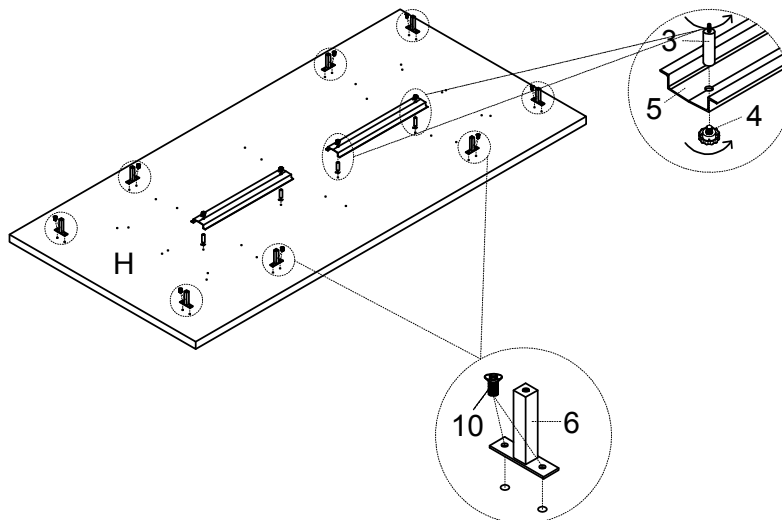
96" Standing Height Conf. Table



- 1** Use Screw (8, 17 & 12) to connect Leg (I), Frame (E) and Foot Rest (F) together;



- 2** Install the T Support (6) and the Stand-off (3) to the Top (H), Use the Levelers (4) to install the Wire Management Tray (5) to the Stand-off (3);

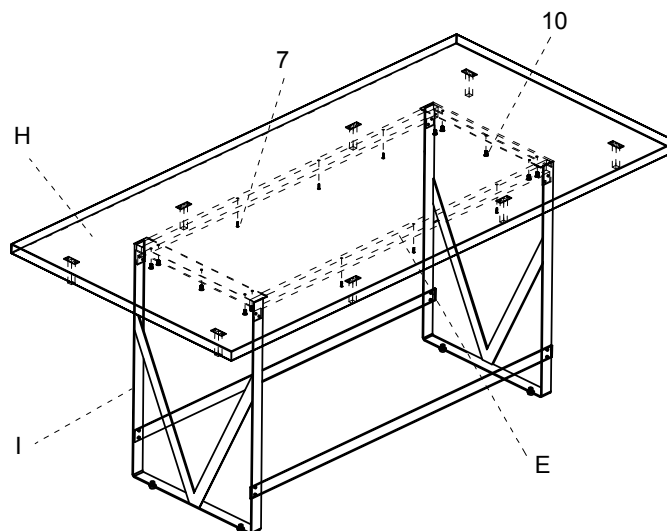


## 96" Standing Height Conf. Table

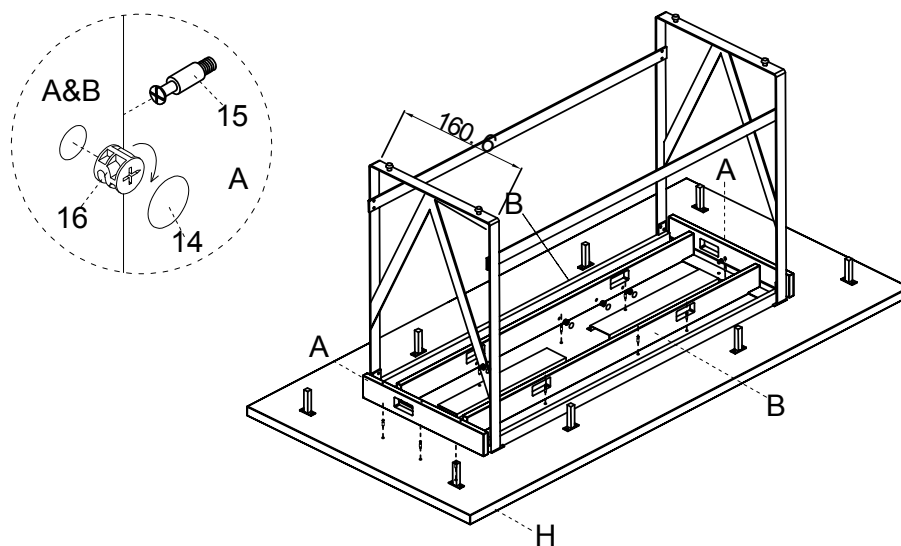
P.4



- ③ Use the Screw (7&10) to connect the Legs (I) and the Frame (E) to the Top (H);



- ④ Insert the Cam Lock (15) to the Top Panel (H), Install the Klix Cam (16) on the Modesty Panel (A&B), Fasten the Klix Cam, Attach the Cam Sticker (14) to the cams;

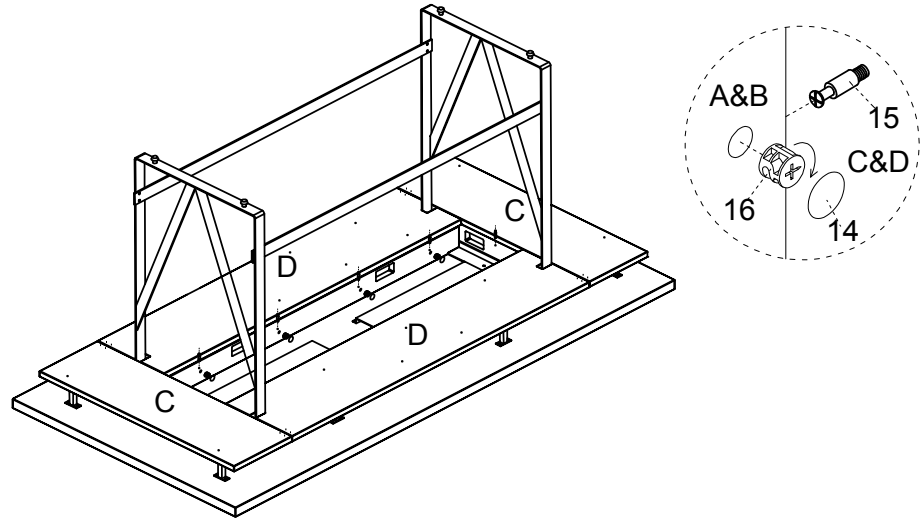


## 96" Standing Height Conf. Table

P.5



- 5 Insert the Cam Lock (15) to the Fixed Shelf (C&D), Install the Klix Cam (16) on the Modesty Panel (A&B), Fasten the Klix Cam, Attach the Cam Sticker (14) to the cams;



- 6 Use the Screw (11) to connect the T Support (6) and the Fixed Shelf (C&D); Use the Screw (9) to connect the Metal Plate (1) and the Fixed Shelf (C&D); Use the Screw (8) to connect the Leg (I) and the Frame (G); Use the Screw (7) to connect the Fixed Shelf (D) and the Frame (G);

