



Hardware is packed with carton **EVH200DGG**

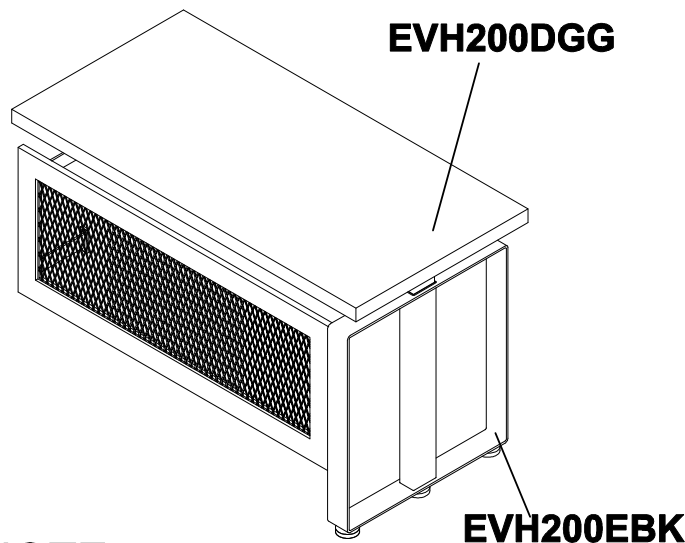
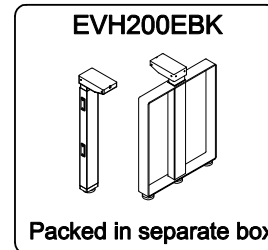
1	2	3	4	5	6	10	13	16	17
Screw Ø6X33mm 8pcs	Screw Ø5X20mm 8pcs	Screw Ø6X15mm 2pcs	Allen Wrench 5mm 1pc	Screw Ø6X15mm 8pcs	Wire Management Tray 2pcs	H-Bracket 2pcs	Screw M6*10 4pcs	Screw Ø4X14mm 5pcs	L-Bracket 2pcs

Hardware is packed with carton **EVH200EBK**

5	7	8	9	11	12	13	14	15
Screw Ø6X15mm 8pcs	Control box 1 Pc	Controller 1 Pc	Screw Ø4X14mm 2pcs	Power cord 1pc	Allen Wrench 4mm-1pc	Screw M6*8 4Pcs	Z-connection 2pcs	Glide Box 1pc

EVH200DGG

F	G	C
Top panel 1 Pc	Modesty panel 1 Pc	Top support Bracket 2Pcs

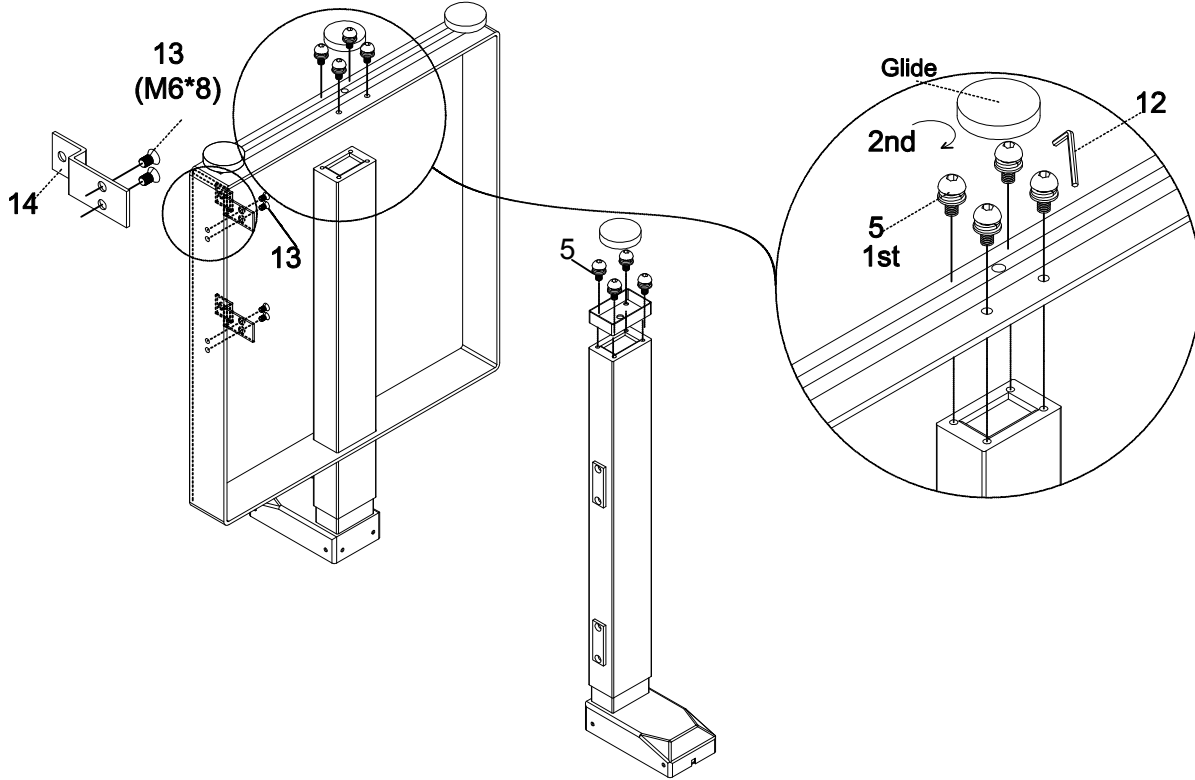


IMPORTANT NOTE:

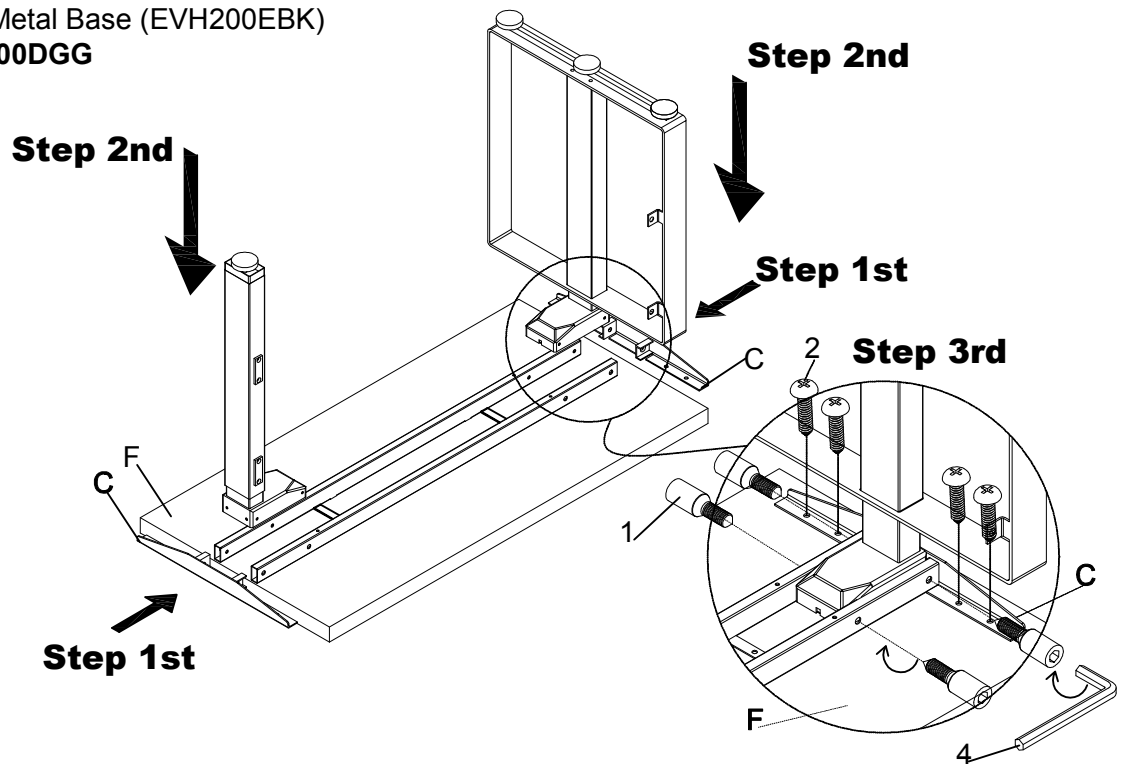
- Place all wooden parts on a clean and smooth surface such as a rug or carpet to avoid the parts from being scratched
- Check that you have all parts and hardware.
- Remove all wrapping materials, including staples & packing straps before you start assemble.
- Do not tighten all screws or bolts until all completely assembled.
- Keep all hardware parts out of reach of children.

NOTE: The Return Desk can be installed as a Left Handed or Right Handed. Right Handed is shown in the instructions. If Left Hand is desired, attach Modesty Panel (G) to other side

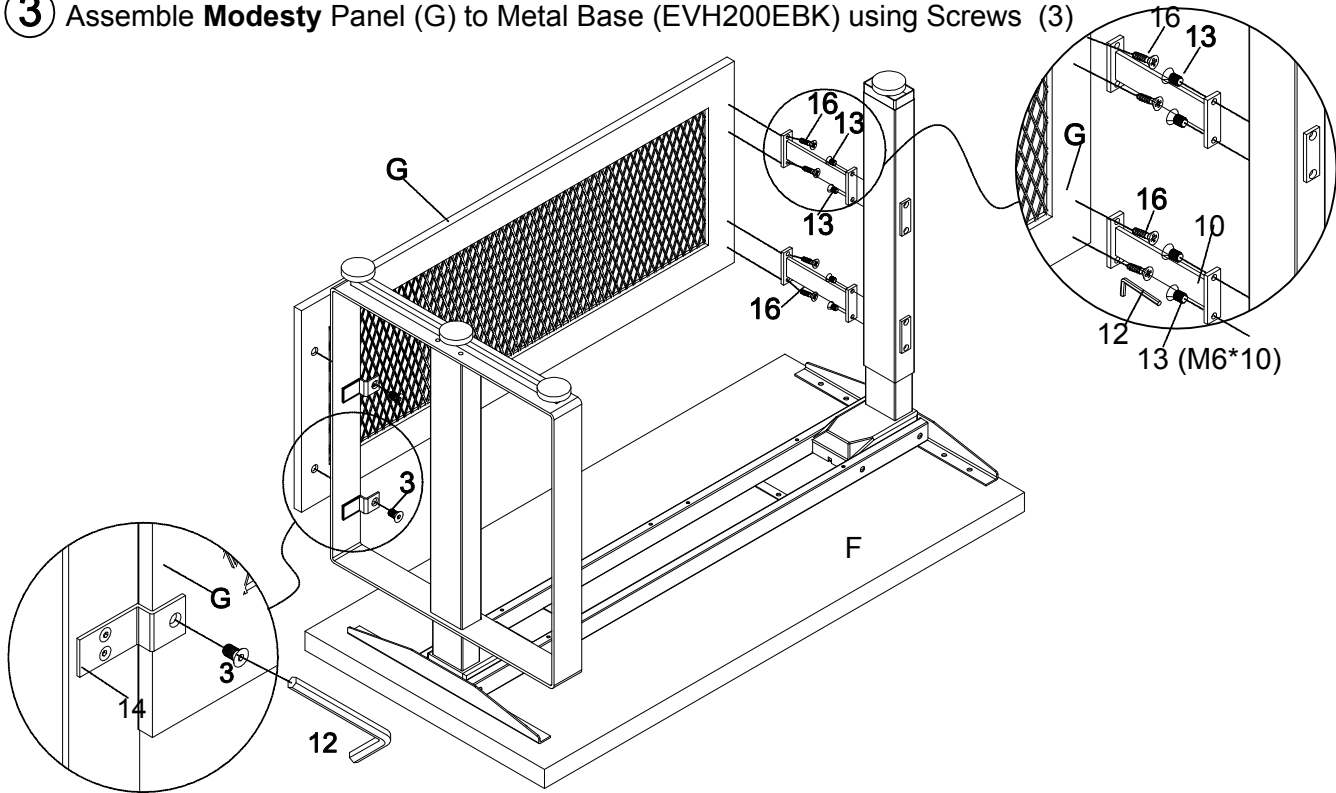
1 Assemble Metal Base (EVH200EBK) using Screws (5)



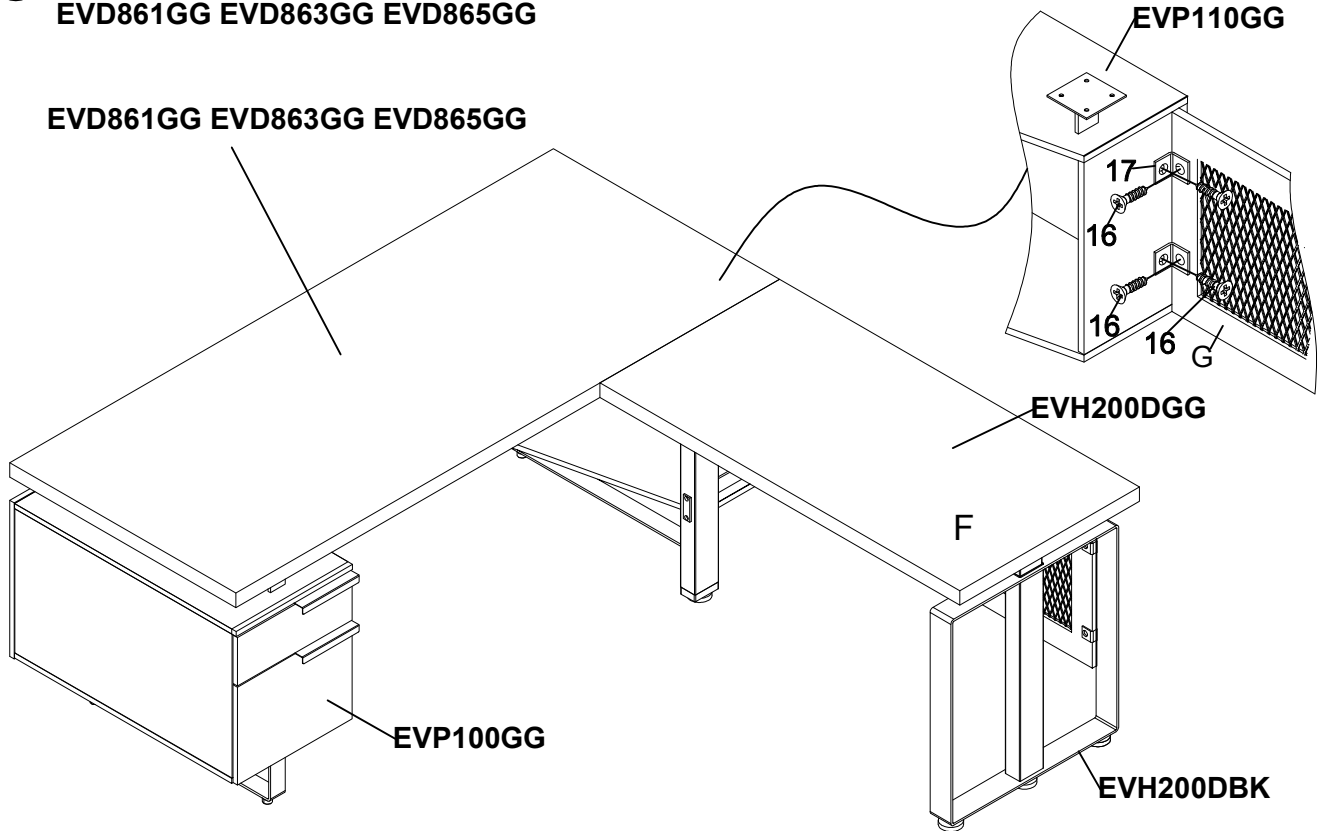
2 Assemble Metal Base (EVH200EBK) with EVH200DGG



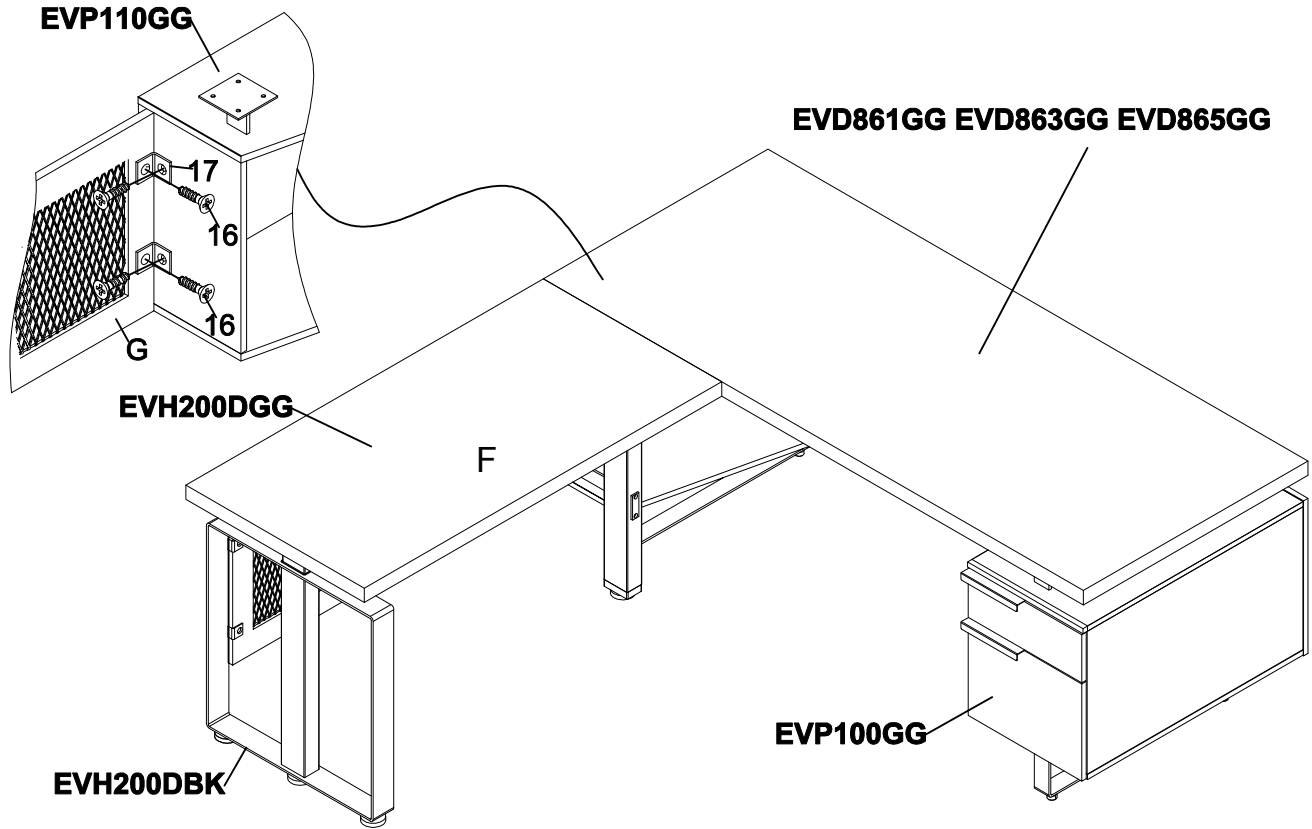
3 Assemble **Modesty Panel (G)** to Metal Base (EVH200EBK) using Screws (3)



4 Assemble 48" Height Adjustable Return (EVH200EBK, EVH200EBK) with Main desk
EVD861GG EVD863GG EVD865GG

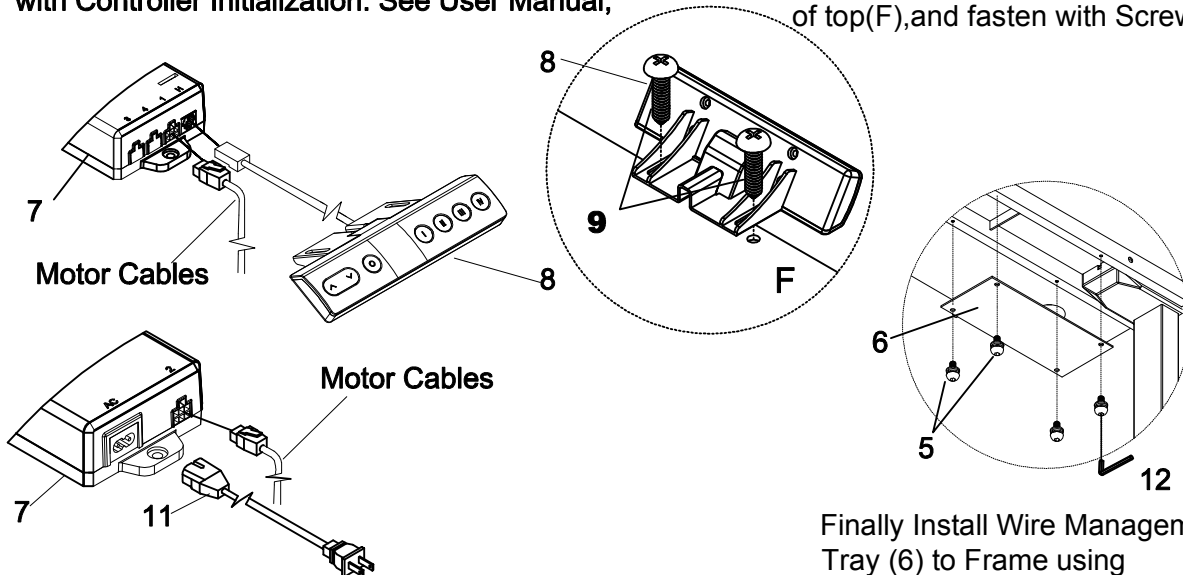


Assemble 48" Height Adjustable LEFT Return (EVH200EBK, EVH200EBK) with Main desk
EVD861GG EVD863GG EVD865GG



- 5 Connect power for Control Box (7) using the Power Cord (11) and connect Controller (8) into the Control Box (7); Plug Power Cord (11) into outlet and proceed with Controller Initialization. See User Manual;

Put Memory Controller (8) on desired location on front edge of top(F), and fasten with Screws (9)



Finally Install Wire Management Tray (6) to Frame using Screws (5) and Wrench (12).



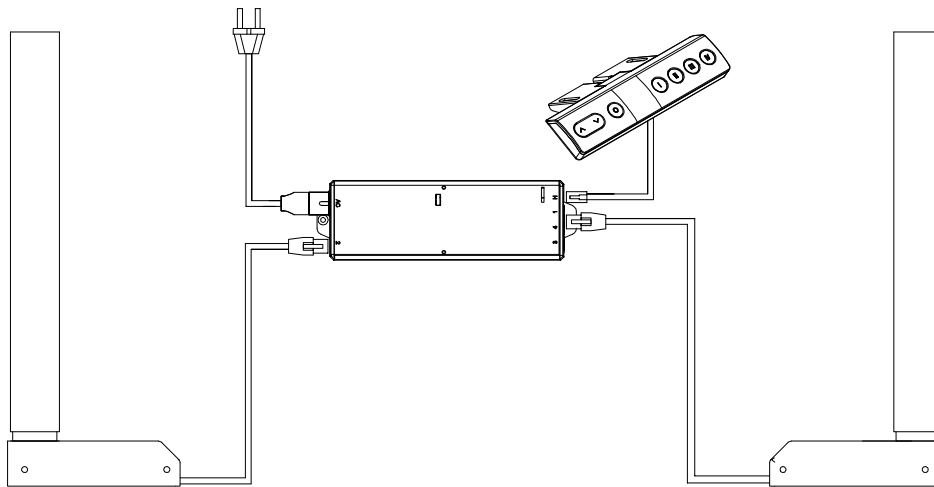
Make sure no obstacles are in the desk's path.
Make sure the desktop is not touching any walls.



Make sure all cords are appropriate length to accommodate
the change in height.

IMPORTANT: You must INITIALIZE the desk prior to first use.

Controller Initialization- Press and hold the Down button on the controller until the desk reaches its lowest height, slightly raises, and stops. Release the down button, your desk is now ready for use. (Following the "USER MANUALS" to use your desk)



TROUBLESHOOTING

If the table is not functioning properly it may need to be reset. Unplug the power cord for 20 seconds. Plug the power cord back in and follow the RESET procedures;

If the error message persists after the reset procedure, please contact your dealer;

If the height between the legs exceeds 1.5 inches, stop the reset procedure,
please contact your dealer