



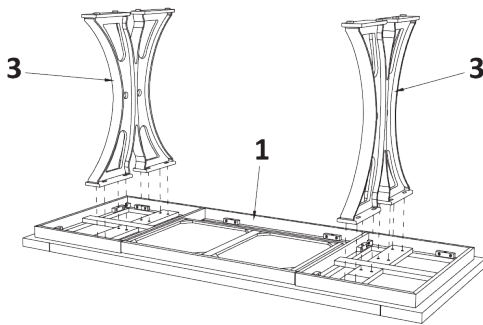


N0:	Parts List		Q'TY
1		Top	1 PC
2		Base Support Rod	2 PCS
3		Side Leg Frame	2 PCS

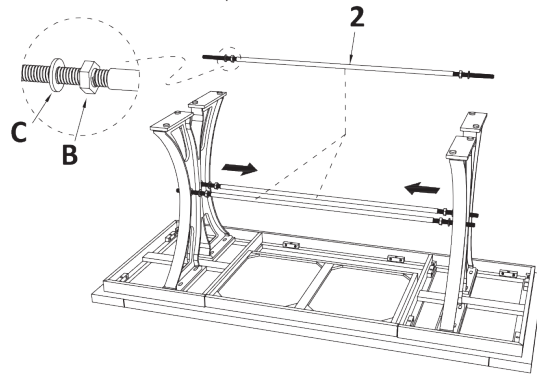
N0:	Hardware List		Q'TY
A		Bolt	16 PCS
B		Nut	8 PCS
C		Support Rod Washer	8 PCS
D		Spring washer	16 PCS
E		Flat washer	16 PCS
F		Allen Wrench	1 PC
G		Wrench	1 PC

Caution: Please read all instructions before assembly and check the carton for any parts that may have come loose during shipment. It is recommended to **use two or more people during the assembly process.**

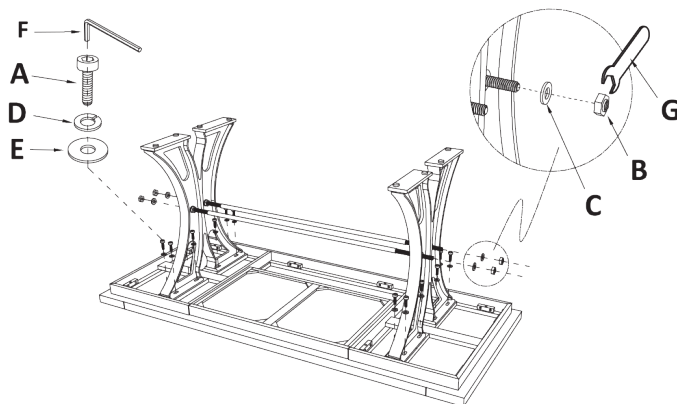
- 1 Carefully turn the top (1) upside down in smooth and clean surface, taking precaution to avoid the drawer from opening. With assistance, lift each leg frame (3) and place it on the bottom of the desk top lining up the holes to the screw points.



- 2 Thread one nut (B) through each end of the support rods (2) and add a washer (C). Place the support rods (2) between each side leg frame (3) and align them to the middle of the desk. Adjust each leg frame so that the holes align with the screw points on the bottom of the desk top.



- 3 Secure each leg frame (3) in place using bolts (A) with a flat washer (E) and a spring washer (D) as shown. Insert one washer (C) to each end of the support rod. Screw a bolt (B) on each side, use the provided wrench (G) to tighten all bolts and confirm a secure fit.



- 4 With assistance, carefully flip the assembled desk right side up. Lift desk and place in desired location, avoid dragging to prevent any scuffs or marks on flooring.



CARING FOR YOUR FURNITURE

- Use a soft, clean cloth that will not scratch the surface when dusting.
- Use of furniture polishes are not necessary. Should you choose to use polishes, test in an inconspicuous area first.
- Using solvents of any kind on your furniture may damage your furniture finish.
- Never use water to clean your furniture as it may cause damage to the finish.
- Always use coasters under beverage glasses and flowerpots.
- Liquid spills should be removed immediately. Use a soft, clean cloth, blot the spill gently. Avoid rubbing.
- Direct sunlight may damage wood finishes.
- Extreme temperature and humidity changes can cause warping, shrinking and splitting of wood furniture. It is best to keep furniture in a climate controlled environment.
- Always use protective pads under hot dishes and plates. Heat can cause chemical changes that may create spotting within the furniture finish.
- In the event that your furniture is stained or otherwise damaged during use, we recommend that you call a professional to repair your furniture.