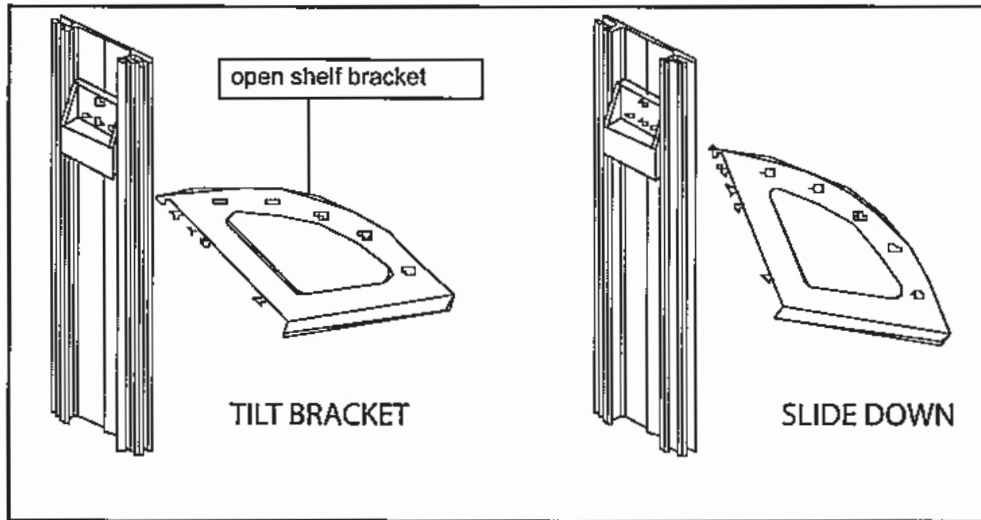
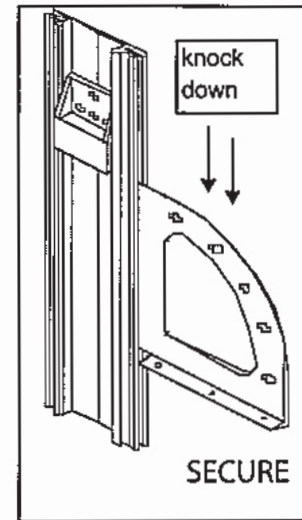


### INSTALLATION OF OPEN SHELF BRACKET TO PANEL

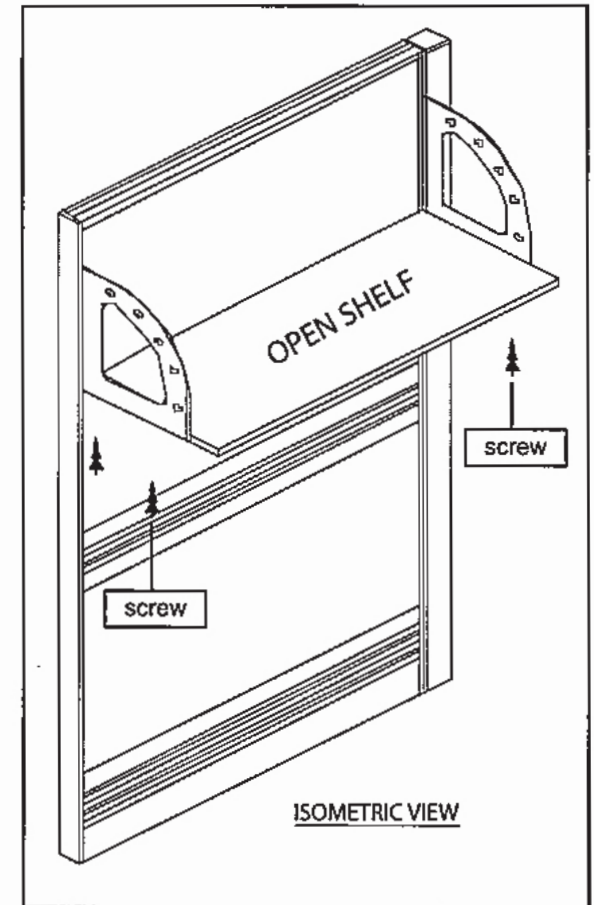
SOLERO SYSTEMS



Step 1



Step 2



Step 3

#### INSTRUCTIONS :

The open shelf bracket (L&R) is inserted into the vertical pole's cantilever hole by :-

**Step 1 :** Tilting the bracket to slot the head in and sliding it down to secure the bracket.

**Step 2 :** A gentle knocking down of the bracket with a mallet to further tighten and also secure it.

**Step 3 :** After securing the brackets, then put the open shelf onto the brackets (L&R) and then screw it from the bottom of the bracket upward to the open shelf as shown.

**\*\*** Please remember that the open shelf brackets must be inserted into the vertical pole's cantilever holes and secured before placing the open shelf board onto the the brackets.