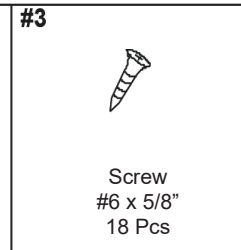
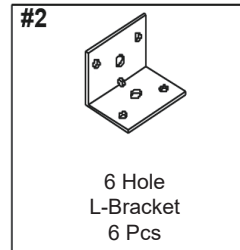
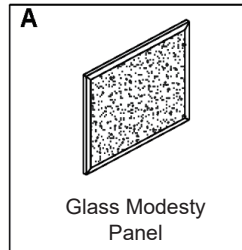
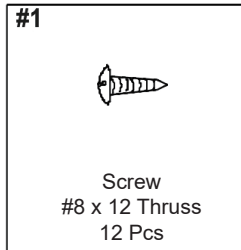


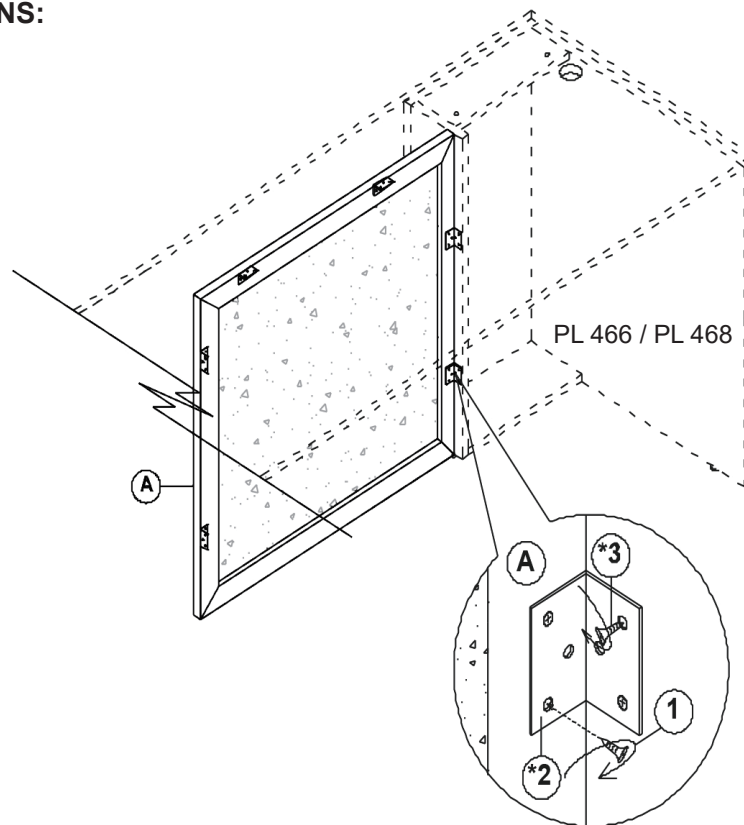
Before assembly, please remove all parts from the carton, verifying that you have the correct quantities, and read all the instructions.

IN THE CARTON:



* Pack Packing Hardware From
PL 401 / 489 / 477 LR

INSTRUCTIONS:



Attach L-Bracket #2 to Glass Modesty Panel (A) with hole marking (6 pcs in total) and to PL 466 / PL468 by using 12pcs x screw #1 & 18pcs x screw #3 as shown.

⚠ ATTENTION ⚠

Place all wooden parts on a clean and smooth surface such as a rug or carpet to avoid the parts from being scratched.

Check that you have all parts and hardware.

Remove all wrapping materials, including staples & packing straps before you start to assemble.

Do not tighten any screws or bolts until the unit is completely assembled.

Keep all hardware parts out of reach of children. There may be extra hardware when install is complete.