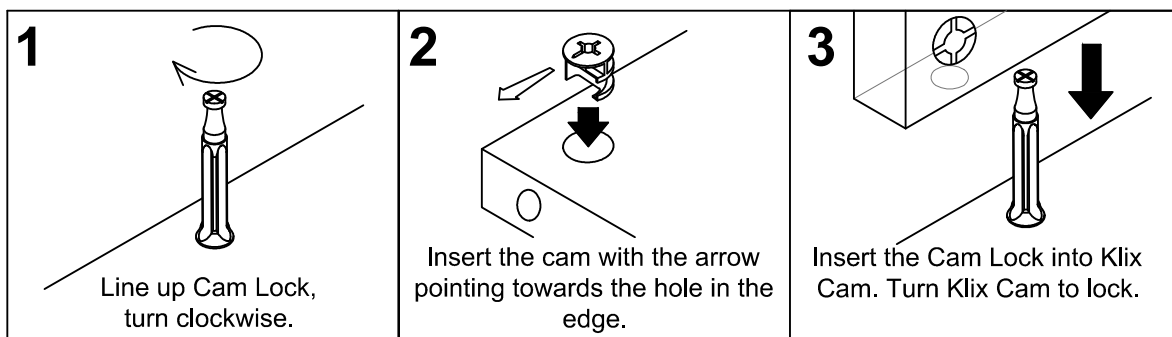
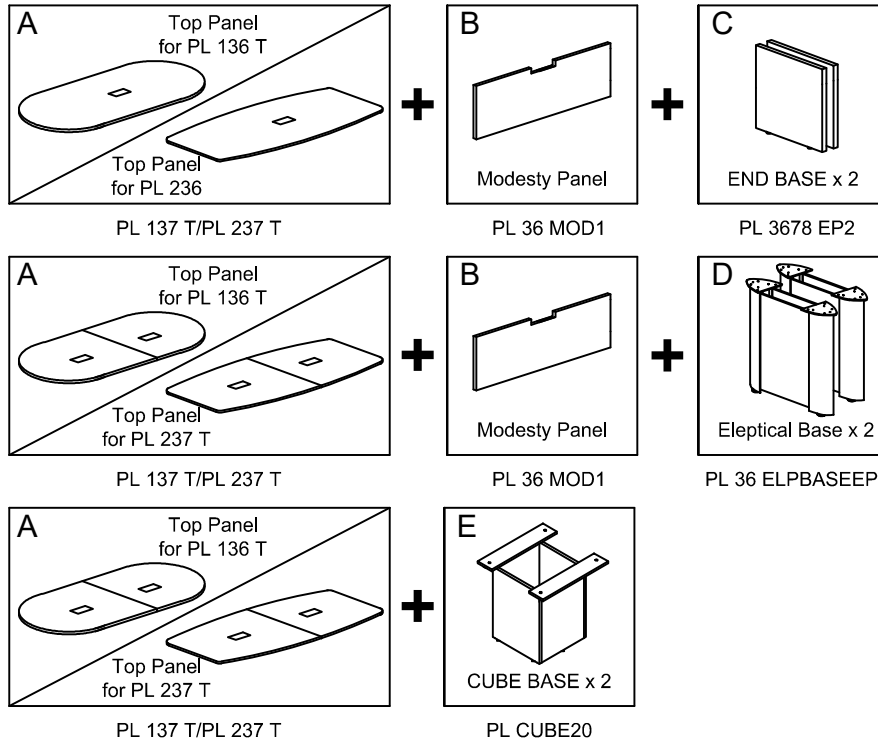


**KLIX CAM INSTRUCTIONS**



**IMPORTANT NOTE :**

- Place all wooden parts on a clean and smooth surface such as a rug or carpet to avoid the parts from being scratched.
- Check to be sure that you have all parts and hardware.
- Remove all wrapping materials, including staples & packing straps before you start to assemble.
- Do not tighten all screws/bolts until all completely assembled.
- Keep all hardware parts out of reach of children.



HARDWARE PACK PL 136 T/PL 236 T							
<b>A1</b>  6 Hole L-Bracket 4 Pcs	<b>A2</b>  Screw #6 x 5/8" 24 Pcs						
HARDWARE PACK PL 3678 EP2							
<b>C1</b>  Cam Lock 10 Pcs	<b>C2</b>  Klix Cam 10 Pcs	<b>C3</b>  Housing Cap (Long) 6 Pcs	<b>C4</b>  Housing Cap (Short) 4 Pcs	<b>C5</b>  Adjustable Glide 4 Pcs	<b>C6</b>  6 Hole L-Bracket 4 Pcs	<b>C7</b>  Screw #6 x 5/8" 24 Pcs	<b>C8</b>  M4 x 65 Allen-Key 1 Pc
HARDWARE PACK PL 36 ELPBASEEP2							
<b>D1</b>  Cam Lock 6 Pcs	<b>D2</b>  Klix Cam 6 Pcs	<b>D3</b>  Housing Cap (Long) 6 Pcs	<b>D4</b>  Adjustable Glide 4 Pcs	<b>D5</b>  6 Hole L-Bracket 4 Pcs	<b>D6</b>  Screw #6 x 5/8" 24 Pcs	<b>D7</b>  M4 x 65 Allen-Key 1 Pc	<b>D8</b>  CSK ScREW M3.5 x 20MM 16 Pcs
HARDWARE PACK PL CUBE20							
<b>E1</b>  Cam Lock 12 Pcs	<b>E2</b>  Klix Cam 12 Pcs	<b>E3</b>  Housing Cap (Long) 12 Pcs	<b>E4</b>  JCBC Screw M6 x 40mm = 4pcs Washer = 4pcs	<b>E5</b>  Adjustable Glide 6 Pcs	<b>E6</b>  M4 x 65 Allen-Key 1 Pc		

