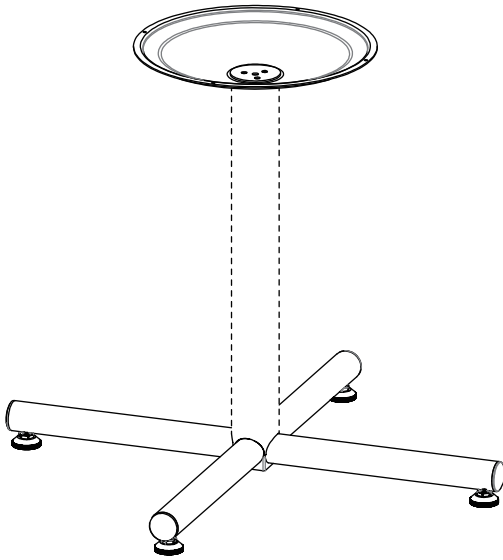




This assembly manual contains important safety information. Please read and keep for future reference.



Model No.: OSTXBM3341A
Description: Cafe Height Table Base

Useful Hints Before You Start

1. Read each step carefully before starting.
2. Before beginning assembly, identify, sort and count the parts before assembly.
3. Using the wrong screw will cause damage.
4. Using incompatible hardware might cause damage to product.
5. It is important that each step is performed in correct order to avoid difficulties.
6. Assemble your furniture on packaging cardboard to prevent scratch or damage.
7. Do not tighten any screws or bolt until the unit is completely assembled.
8. Keep all hardware parts out of reach of children.

Necessary Tools



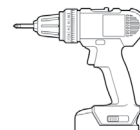
Phillips
Screwdriver



Flat Head
Screwdriver



Hammer

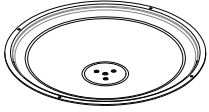
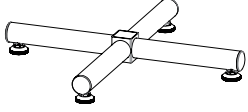
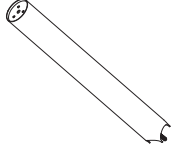



CAUTION!
Risk of product damage.
Power Drill can be used on lowest
torque setting.



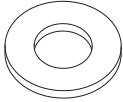


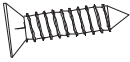



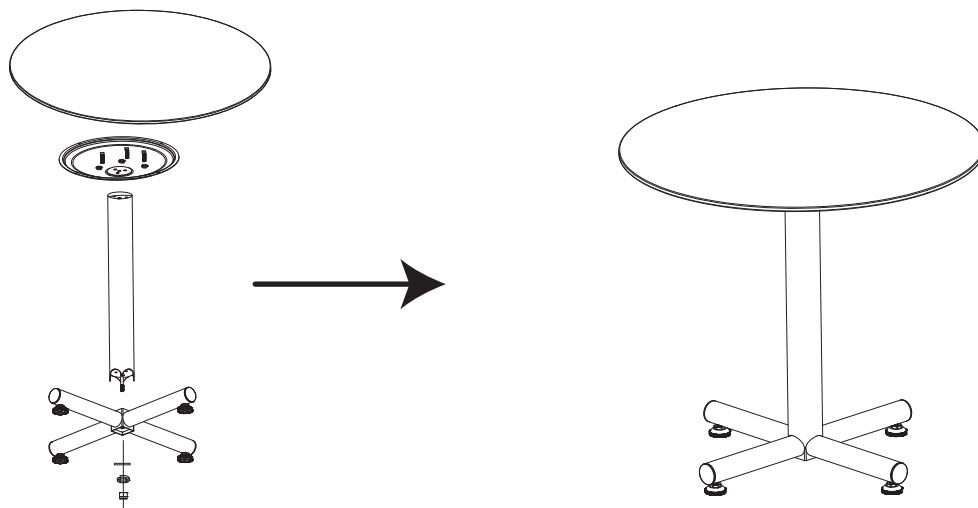
Please read completely through the instructions and verify that all listed parts and hardware are present before beginning assembly.

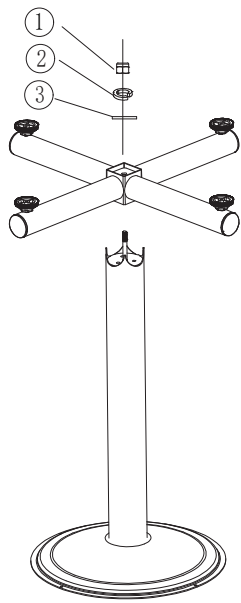
Parts List

<p>A</p>  <p>Top Plate(1x)</p>	<p>B</p>  <p>Cross Base(1x)</p>	<p>C</p>  <p>OSTXBM3341B(1x) (Sold Separately)</p>	<p>D</p>  <p>OS Top(1x) (Sold Separately)</p>
--	---	--	---

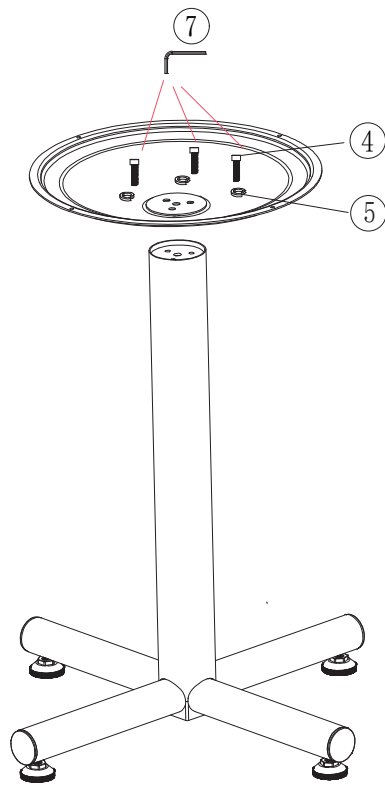
Hardware Included in OSTXBM3341B

<p>1</p>  <p>Steel Nut(1x)</p>	<p>2</p>  <p>Spring Washer(1x)</p>	<p>3</p>  <p>Lock Washer(1x)</p>	<p>4</p>  <p>Allen Cap Screw(3x)</p>	<p>5</p>  <p>M8 Spring Washer(3x)</p>
<p>6</p>  <p>Wood Screw(4x)</p>	<p>7</p>  <p>Allen Key(1x)</p>			

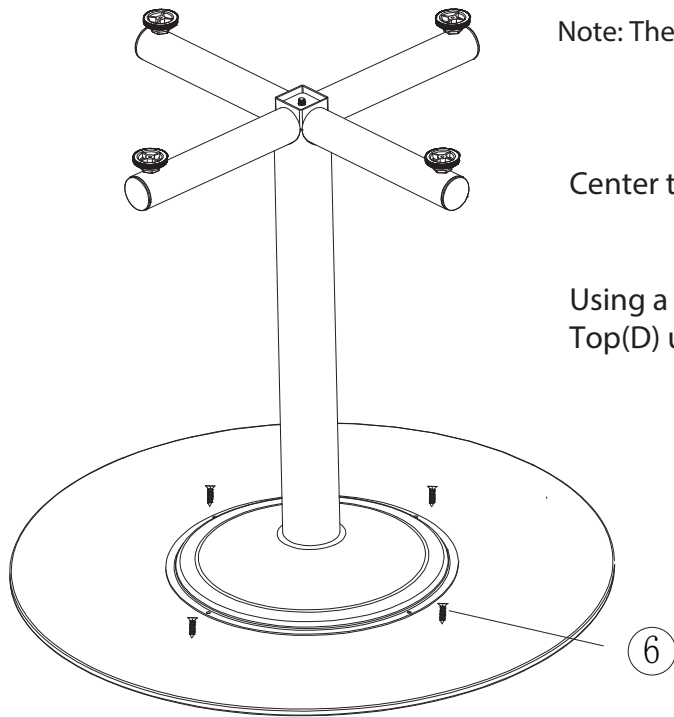




Place the Cross Base(B) onto the OSTXBM3341B(C) bottom, then attach using the Lock Washer(3), Spring Washer(2) and Steel Nut(1).



Place the Top Plate(A) onto the OSTXBM3341B(C) top and tighten the Allen Cap Screws(4) with the M8 Spring Washers(5) using the Allen Key(7).

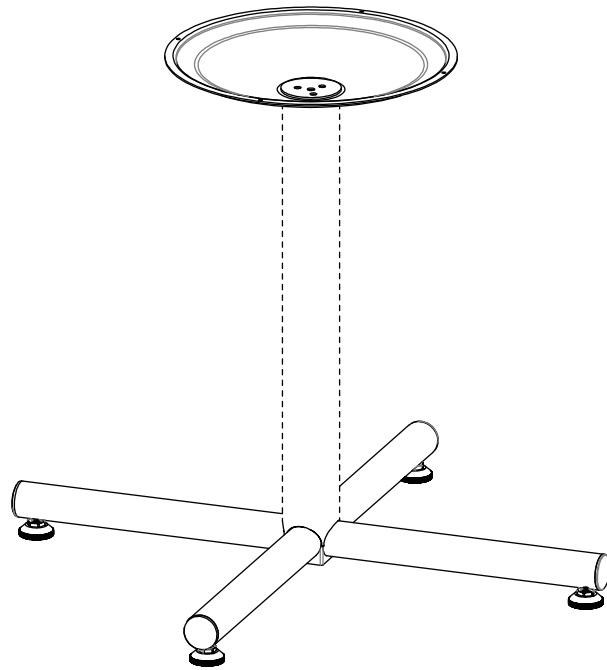


Note: There are no pre-drilled holes on the OS Top(D).

Center the base on the underside of the OS Top(D).

Using a screwdriver, attach the base to the OS Top(D) using the Wood Screws(6).





Care & Maintenance

- Check bolts/screws periodically and tighten them if necessary.
- Use a soft, clean cloth that will not scratch the surface when dusting.
- Clean the product with mild cleanser using soft damp cloth. Do not use harsh or abrasive cleanser.
- Liquid spills should be removed immediately. Using a soft clean cloth, blot the spill gently.
- Heat can cause chemical changes that may create spotting within furniture finish.
- It is best to keep your furniture in a climate-controlled environment. Extreme temperature and humidity changes can cause fading, warping, shrinking and splitting of wood. It is advised to keep furniture away from direct sunlight as sun may damage the finish.