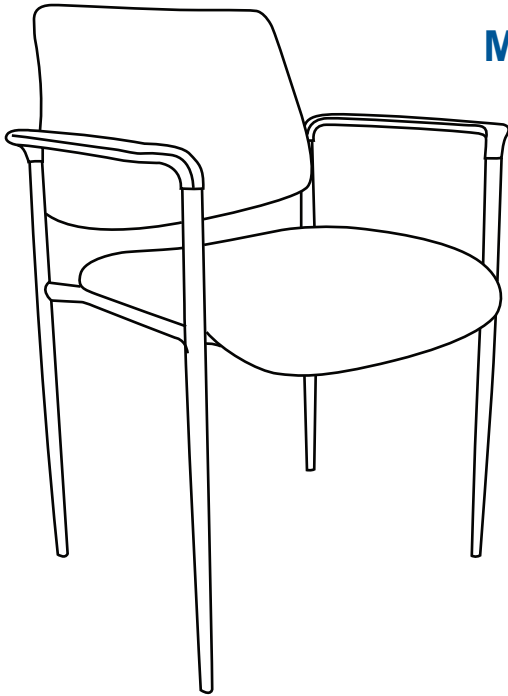
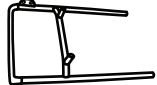

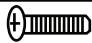





OfficeSource® ASSEMBLY INSTRUCTIONS

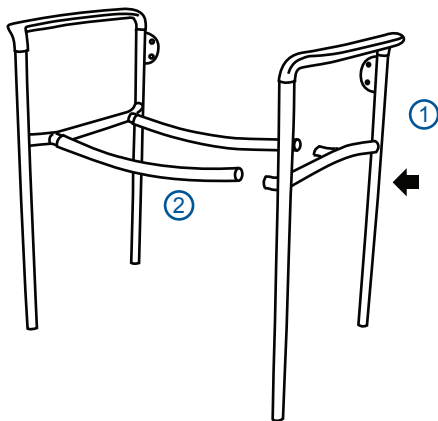
MODEL: 1022BLK



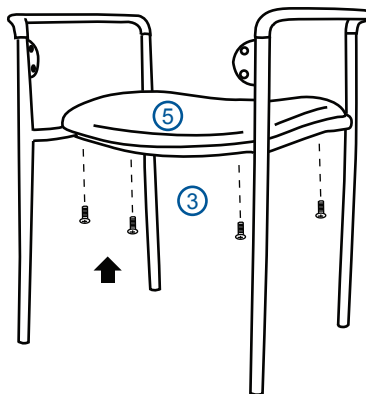
CAUTION: Edges of some parts may be sharp. Please handle unassembled parts carefully.

Parts List		Q' ty
①	 Right Frame & Left Frame	2
②	 Connecting bar	2
③	 M6x36	4
④	 M6x22	4
⑤	 Seat	1
⑥	 Back	1

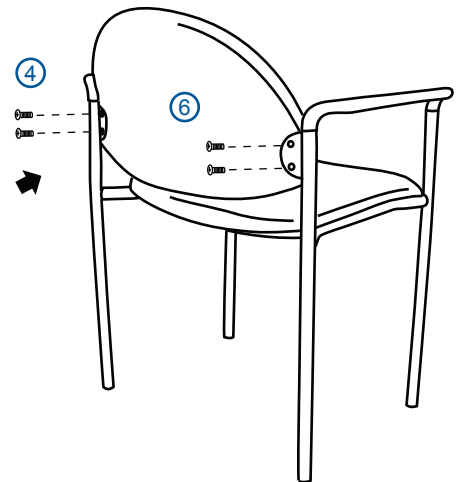
1 Frame & Tube



2 Seat & Frame



3 Back Joint



IMPORTANT NOTICE:
HARDWARE PACKAGE IS ATTACHED ON THE BOTTOM OF SEAT CUSHION.

Insert and loosely tighten all screws. When assembly is completed, fully tighten all screws before using. This chair is only intended for sitting. Any other use will void the warranty.