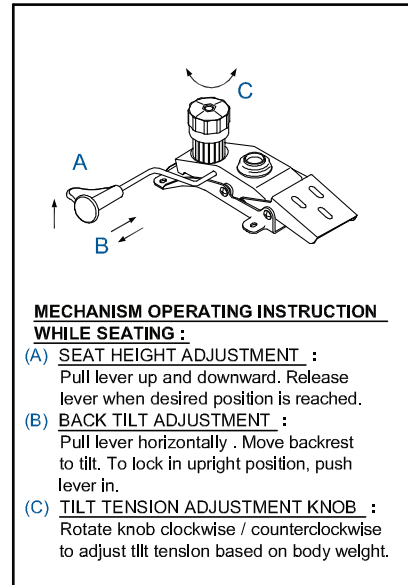
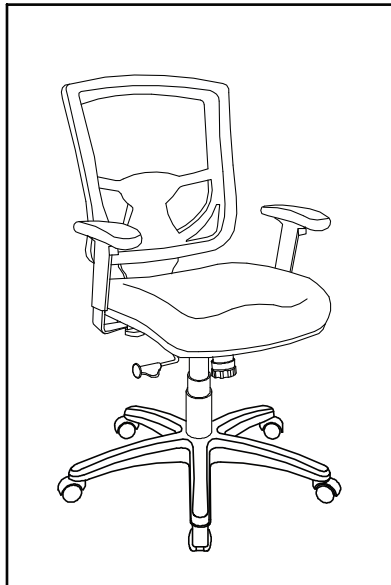
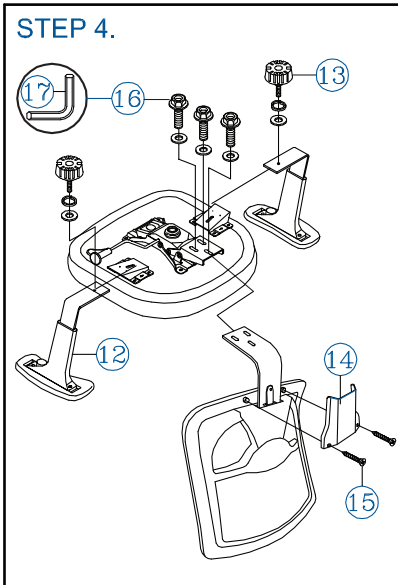
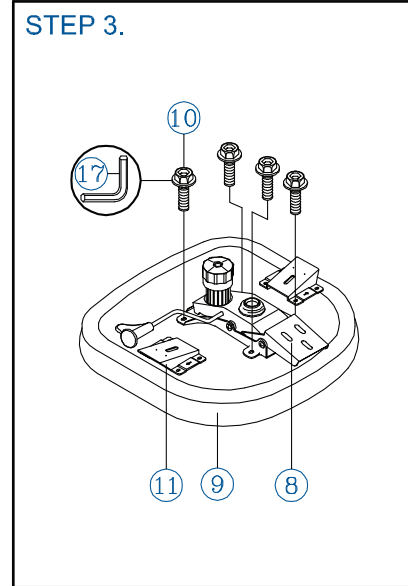
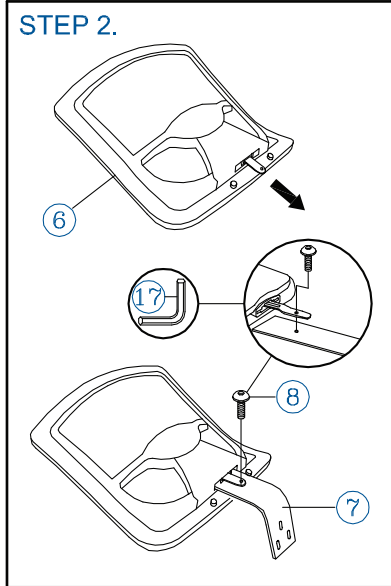
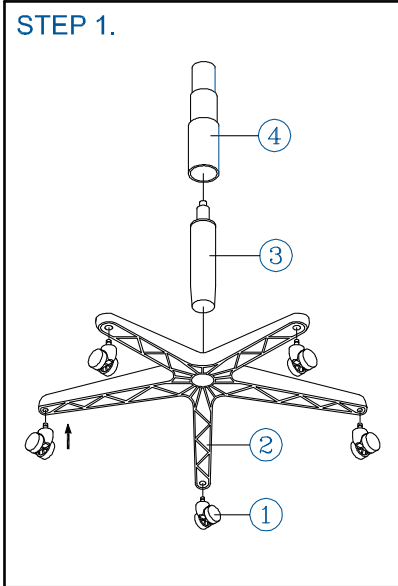


OfficeSource® ASSEMBLY INSTRUCTIONS

MODEL: 8011ANS MESH BACK TASK CHAIR

PARTS LIST Remove all items from the carton. Verify all pieces before assembly. Keep this page for future reference.

KEY QTY	DESCRIPTION	KEY QTY	DESCRIPTION	KEY QTY	DESCRIPTION	
1	5	Caster	8	1	Seat	
2	1	Base	9	1	Mechanism	
3	1	Seat Post	10	4	Mechanism Screw	
4	1	Seat Post Cover	11	2	Armrest Bracket	
5	1	Backrest	12	2	Armrest	
6	1	Backrest Post	13	2	Arm Width Adjustment Knob + Washers	
7	1	Backrest Screw				
				14	1	Backrest Post Bellow
				15	2	Back Post Bellow Screw
				16	3	Mechanism Bracket Screw + Washer
				17	1	Allen Wrench



PREVENTIVE MAINTENANCE AND WARNING!

- USE THIS PRODUCT ONLY FOR SEATING ONE PERSON AT A TIME.
- DO NOT USE THIS CHAIR AS A STEP STOOL / LADDER.
- DO NOT SIT ON ANY PART OF THE CHAIR EXCEPT THE SEAT.
- DO NOT USE CHAIR ON UNEVEN FLOOR SURFACES.
- DO NOT USE CHAIR UNLESS ALL BOLTS, SCREWS AND KNOBS ARE TIGHTENED.
- EVERY SIX MONTHS, PLEASE MAKE SURE ALL BOLTS, SCREWS AND KNOBS ARE FULLY TIGHTENED TO ENSURE STABILITY.
- IF ANY PARTS ARE MISSING, BROKEN, DAMAGED OR WORN, STOP USE OF THE PRODUCT UNTIL REPAIRS ARE MADE USING FACTORY AUTHORIZED PARTS.
- DISPOSE OF PACKAGING PROPERLY. PLASTIC BAG IS NOT A TOY. DO NOT USE PLASTIC BAG AS HEAD COVERING - IT MAY CAUSE SUFFOCATION.
- FAILURE TO FOLLOW THESE WARNINGS COULD RESULT IN SERIOUS INJURY.
- NOTE: SOME SCREWS MAY BE PREASSEMBLED. IF PREASSEMBLED, IGNORE ASSEMBLY INSTRUCTIONS.