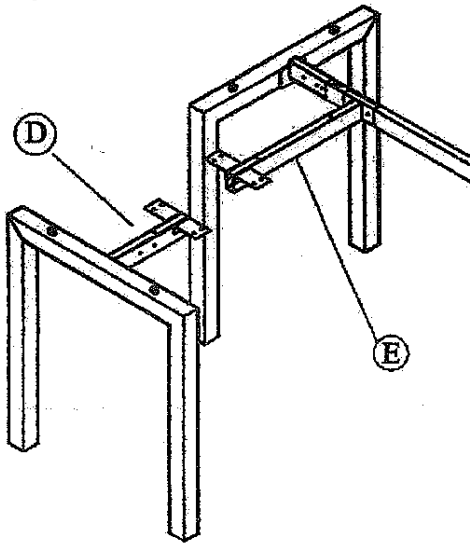
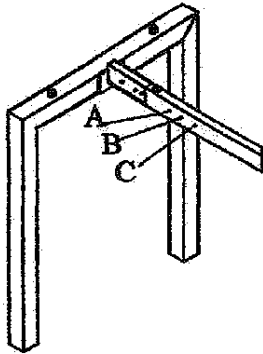
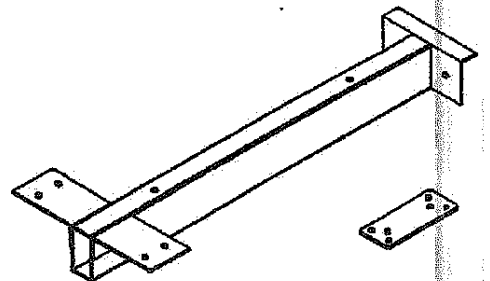


PLTRET SUPPORT
PLT - U - SUPPORT



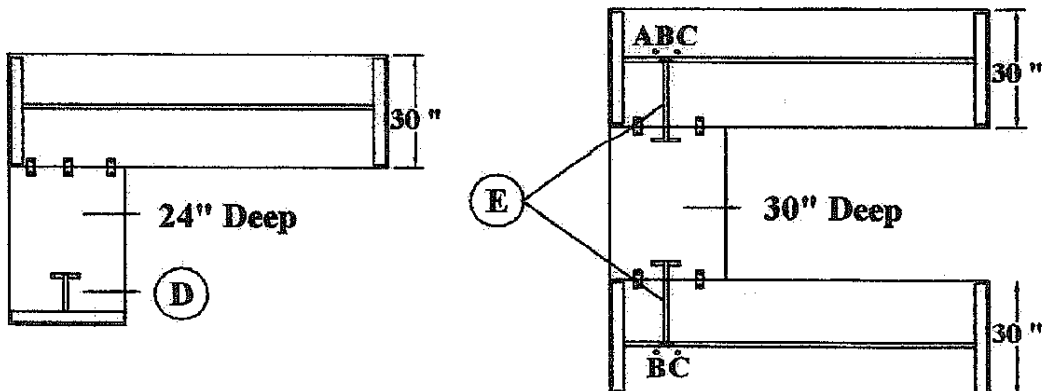
D) PLTRET SUPPORT
PART LIST

1		Wood Screw x 20 mm	23pcs
2		Bolts M6 x 12mm	3pcs
3		Flat Bracket	3pcs



E) PLT - U - SUPPORT
PART LIST

1		Wood Screw x 20 mm	36pcs
2		Bolts M6 x 12mm	4pcs
3		Flat Bracket	4pcs



Always use holes AB when return is 24" Deep .
Always use holes BC when return is 30" Deep .