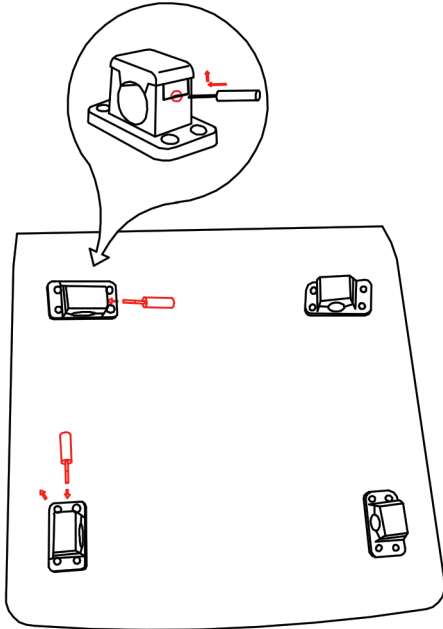


REMOVE ALL ITEMS FROM THE CARTON. VERIFY ALL PIECES BEFORE ASSEMBLY.

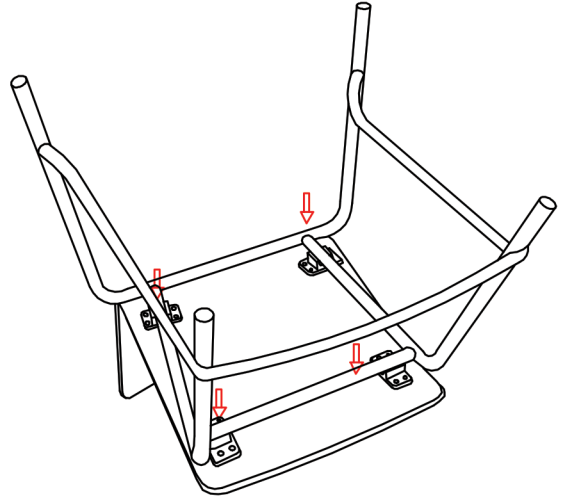
STEP 1.

Remove cap from seat clip with flat head screwdriver



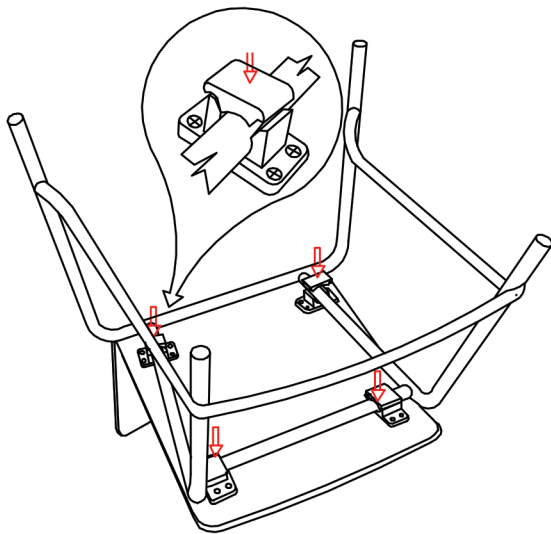
STEP 2.

Place chair frame on seat clips



STEP 3.

Snap caps into seat clips locking chair frame into place



ASSEMBLED

