



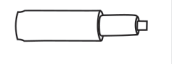

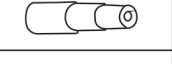


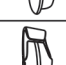



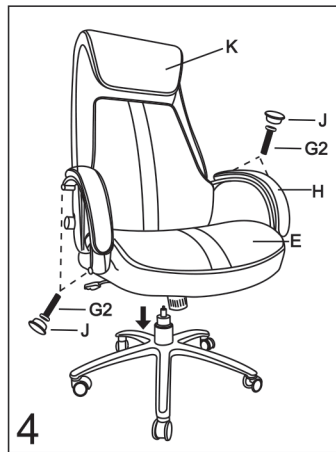
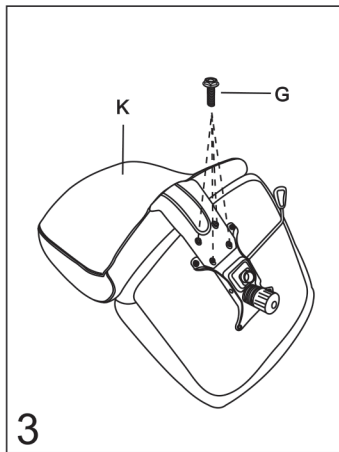
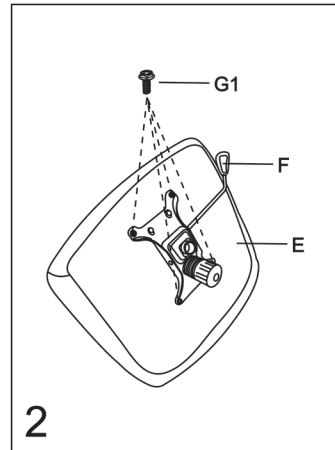
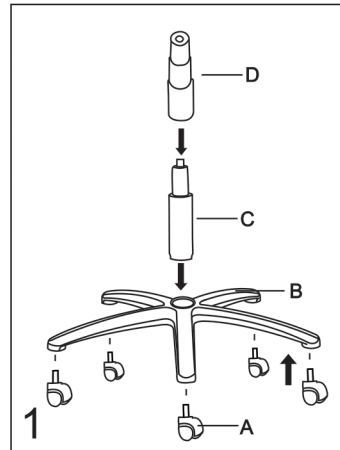


REMOVE ALL ITEMS FROM THE CARTON. VERIFY ALL PIECES BEFORE ASSEMBLY.

|          |   |   |           |   |   |
|----------|---|---|-----------|---|---|
| <b>A</b> |  | 5 | <b>G</b>  | <br>5/16*30mm | 4 |
| <b>B</b> |  | 1 | <b>G1</b> | <br>5/16*20mm | 4 |
| <b>C</b> |  | 1 | <b>G2</b> | <br>5/16*50mm | 4 |
| <b>D</b> |  | 1 | <b>H</b>  |               | 2 |
| <b>E</b> |  | 1 | <b>J</b>  |               | 4 |
| <b>F</b> |  | 1 | <b>K</b>  |               | 1 |
|          |   |   | <b>L</b>  |  5#           | 1 |



### PREVENTIVE MAINTENANCE AND WARNING

- USE THIS PRODUCT ONLY FOR SEATING ONE PERSON AT A TIME
- DO NOT USE CHAIR AS STEP STOOL/LADDER.  
DO NOT USE CHAIR UNLESS ALL BOLTS, SCREWS ARE TIGHT. AT LEAST EVERY SIX MONTHS, CHECK ALL BOLTS, SCREWS TO BE SURE THEY ARE TIGHT.
- IF ANY PARTS ARE MISSING, BROKEN, DAMAGED OR WORN, STOP USE OF THE PRODUCT UNTIL REPAIRS ARE MADE USING FACTORY AUTHORIZED PARTS.
- FAILURE TO FOLLOW THESE WARNINGS CAN RESULT IN SERIOUS INJURY.