

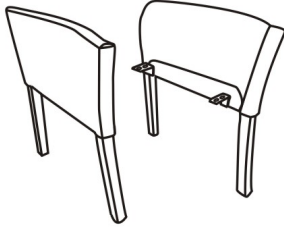


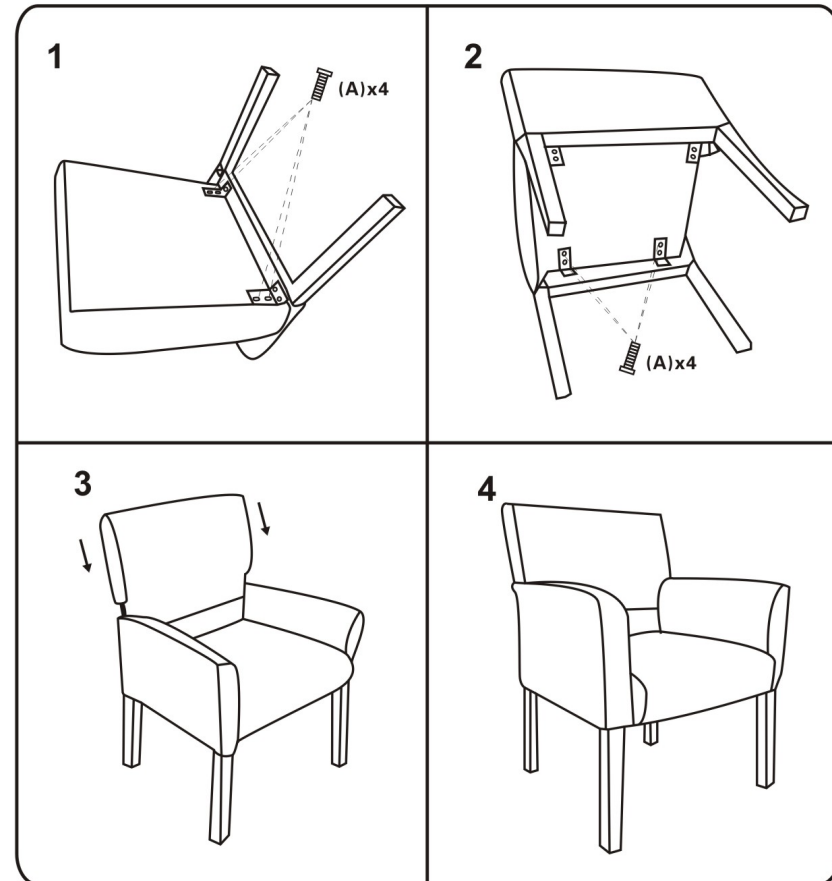


Please unscrew all hardware from cushion before assembly.
Por favor de destornillar todos los tornillos del cojín antes de assamblar la silla

MODEL : 05AD2JMG

	
	
(A)x8 	M6*25
(B)x1 	Allen Key

Insert and loosely tighten all screws. When assembly is completed, fully tighten all screws before using. This chair is only intended for sitting. Any other use will void the warranty.



Attention:

please do not screw tight when initially assembling...all screws will be fully tightened in the final assembly procedure (A) after inserting the backrest, adjust the balance of the whole chair and then fully tighten all the screws