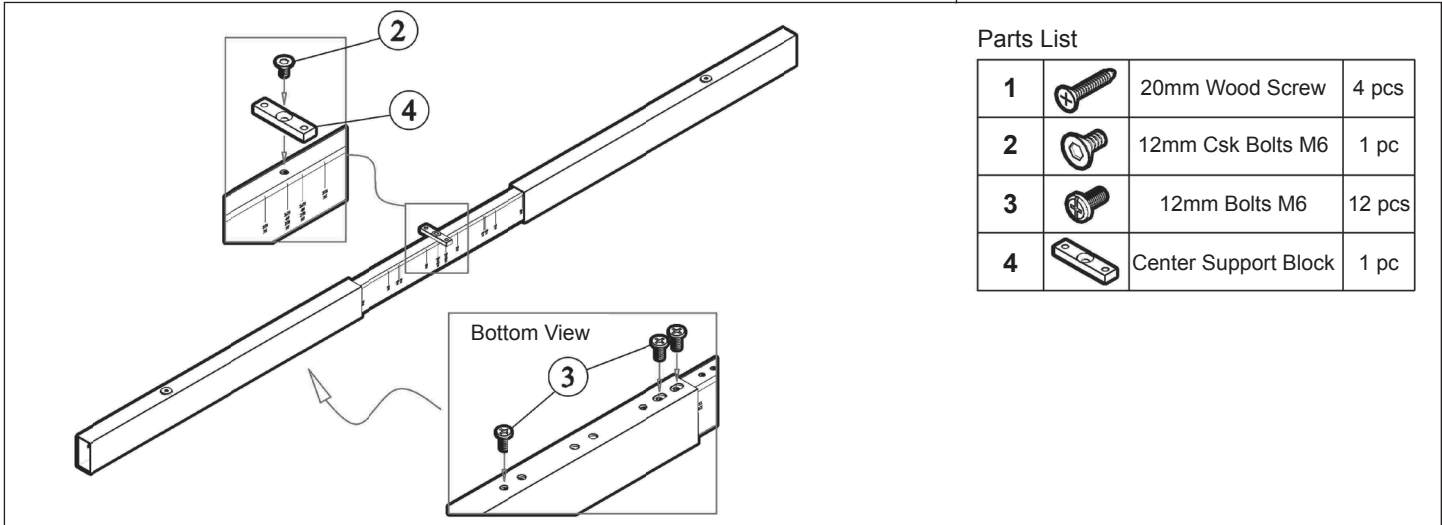


Before assembly, please remove all parts from the carton, verifying that you have the correct quantities, and read all the instructions.

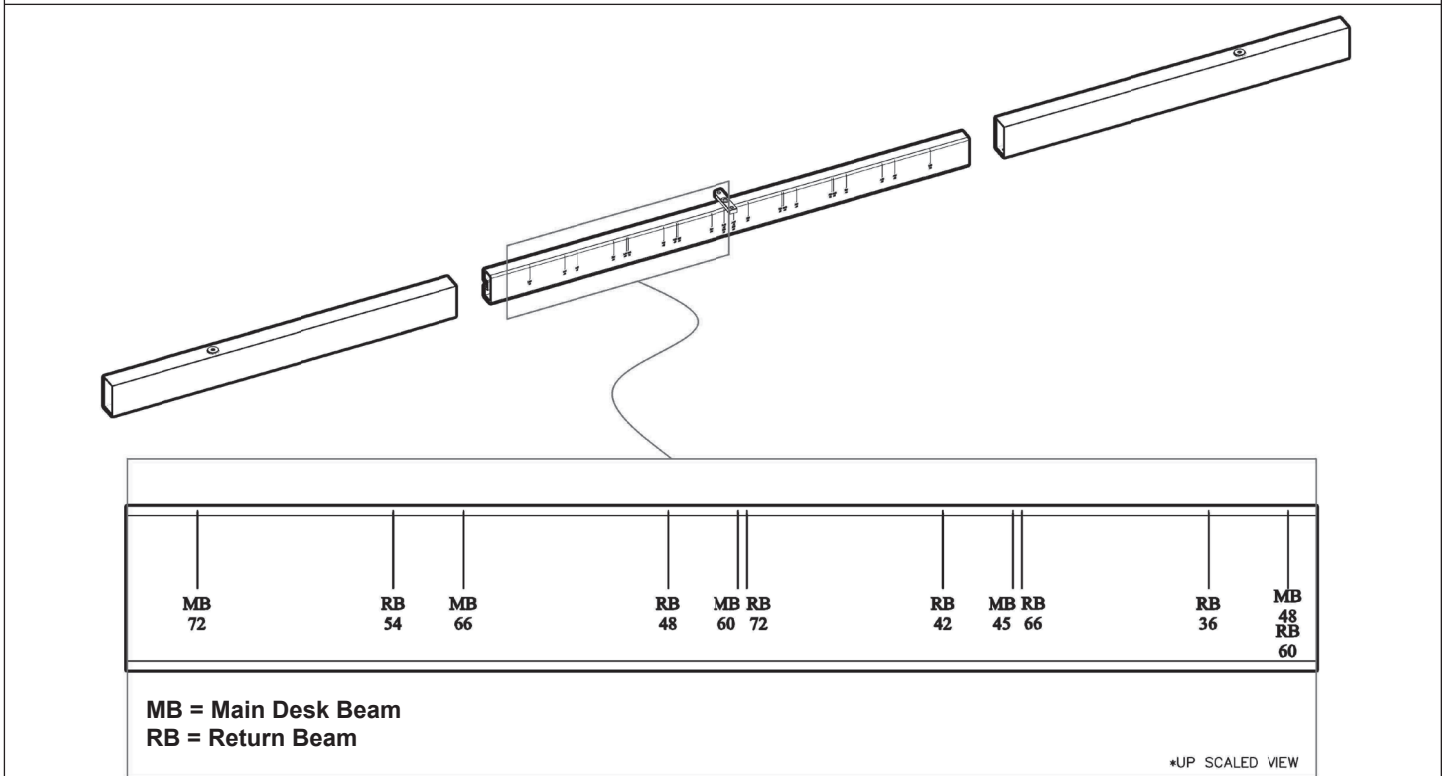
INSTRUCTIONS:

IN THE CARTON:



Parts List

1		20mm Wood Screw	4 pcs
2		12mm Csk Bolts M6	1 pc
3		12mm Bolts M6	12 pcs
4		Center Support Block	1 pc



1. Slightly loosen the bolt (part 2) on the center support block (part 4) and rotate the block by 90°, then tighten the bolt
2. Adjust the side beam until it aligns with the coinciding mark on the main desk beam
3. Once you're at the marker, slightly screw in two bolts (part 3) at the front of the hole, and one bolt at the end of the hole
4. When both the side beams are in position, tighten all the bolts

⚠ ATTENTION ⚠

Do not tighten any screws or bolts until the unit is completely assembled.

Ensure all bolts and screws are tightened before using the table, check bolts and screws every 6 months.

If any parts are missing, broken, damaged or worn, stop use of product until repairs have been made using factory authorized parts.

Failure to follow these warnings may result in injury.