

Catch Basin Care for Commercial Properties

Best Management Practices

The Breakdown

Catch basins are structures located where surface water enters a storm drain or where pipes intersect. Their main job is to collect runoff and send it into the stormwater management system. Many have a storage area at the bottom of the catch basin, which helps prevent debris from flowing into the drainage system.

Whether you work in an office building, a restaurant, a mall, or another facility, it's important that catch basins are well maintained. Well cared for catch basins on commercial properties help prevent storm sewer blockages, and help prevent pollutants from washing down through our system into rivers and streams.

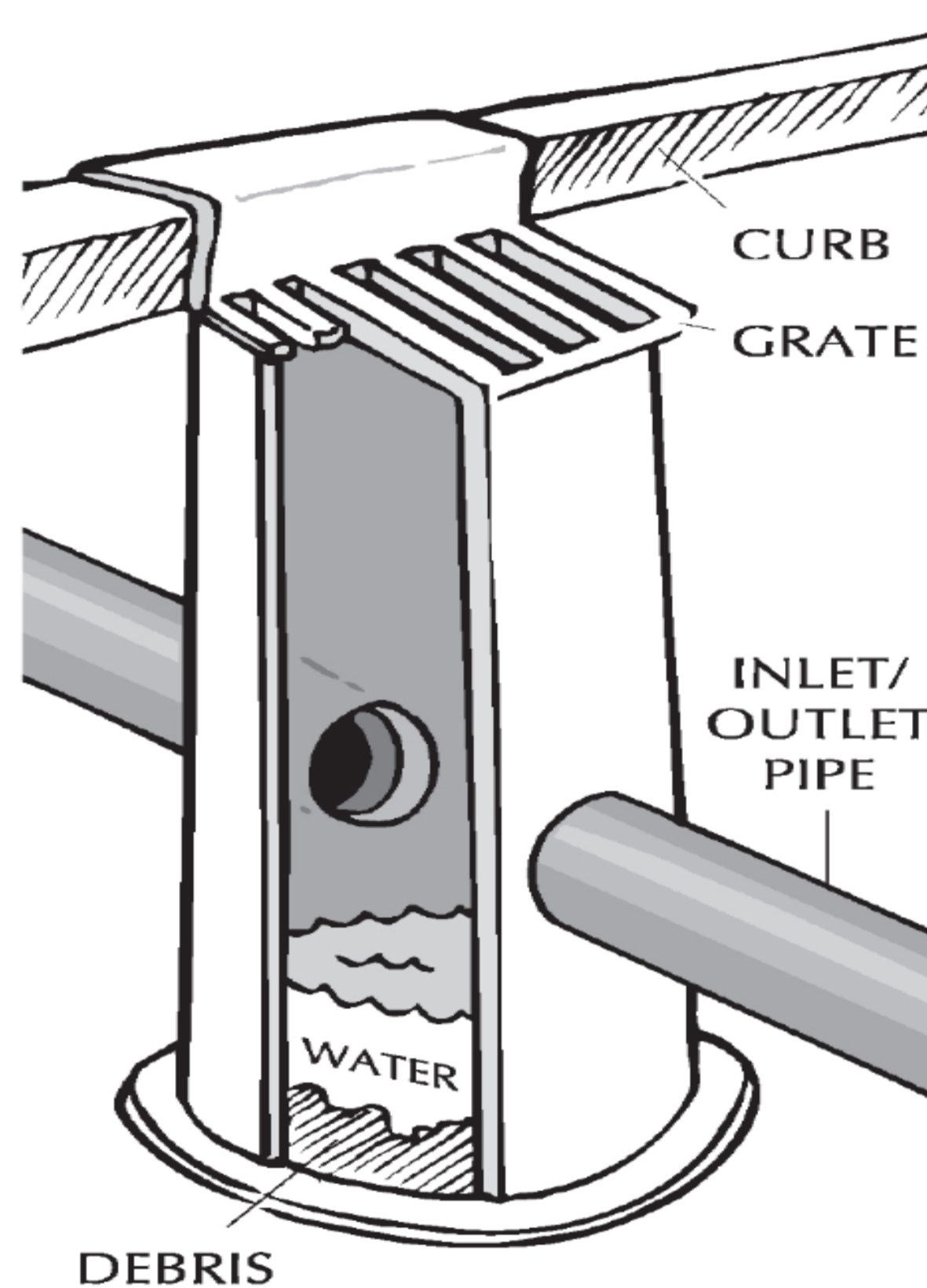
Storm drain grates can become clogged with leaf litter, especially in the spring and fall. By regularly inspecting and removing debris when found, we prevent localized flooding from occurring and also help to prevent downstream pollution.



Regular Inspections

If you own or maintain a business site, inspect catch basins at least twice a year to see if they need cleaning. Regular inspections and clearing of any debris on the surface of the storm drain help lower the cost of expensive repairs. Regular inspection and cleaning prevents debris from accumulating in the outlet pipe and reduces maintenance expense.

To find out how much material has accumulated in the storage area of your catch basin, insert a long, thin probe into the storm drain grate. Notice where the probe hits the debris and continue probing to the bottom to estimate how deep the accumulation is.



Cleaning Catch Basins

Catch basins should be cleaned out before the storage area is half full. Once this level is reached, solids begin to wash out in rain storms. Cleaning should be performed in the spring, after the first large rain event, in the fall after the trees have shed their leaves, and additionally if needed.

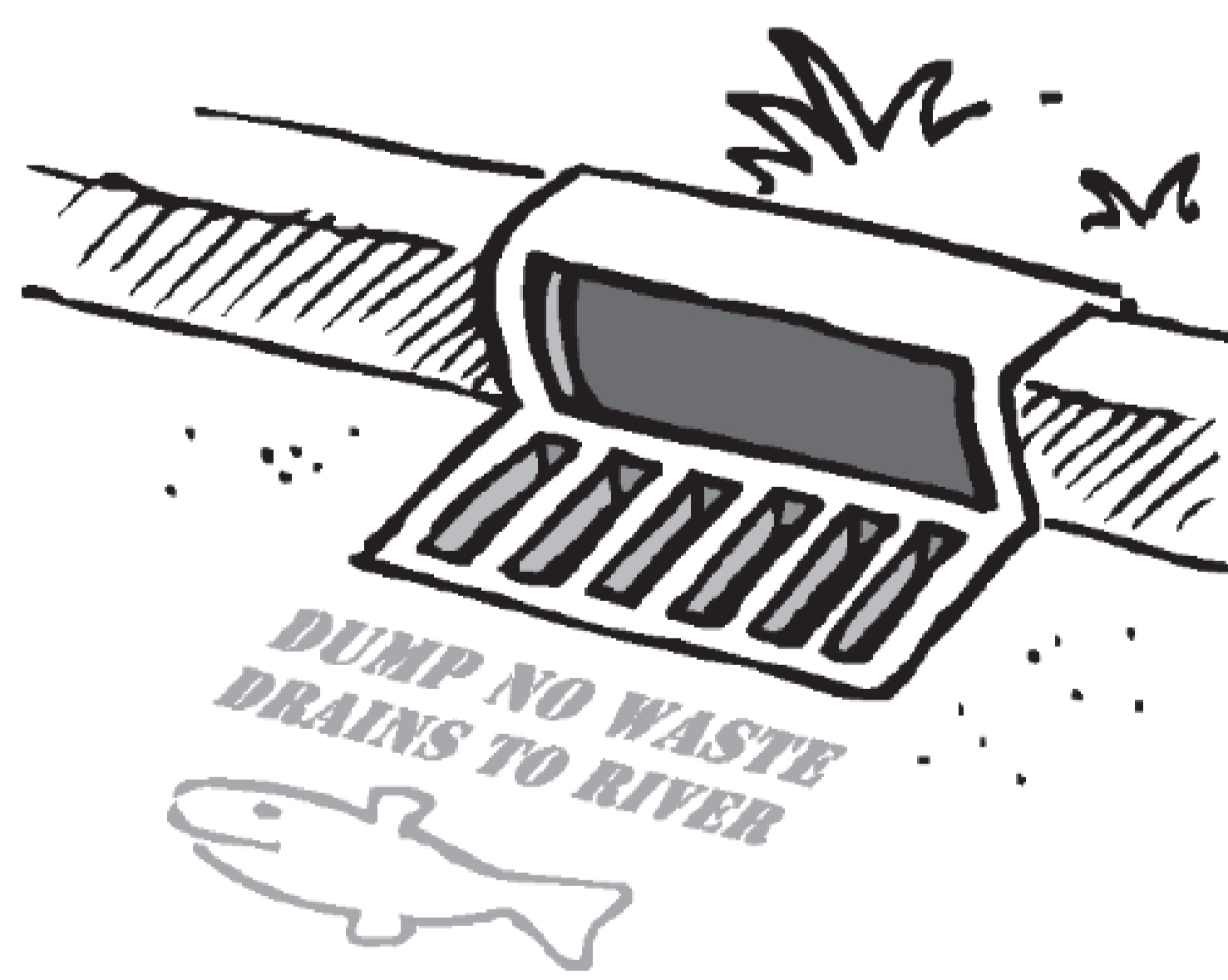
When it comes to proper catch basin upkeep, preventative maintenance is key. Check the surface of the storm drain cover for common blockages like leaf litter and trash, and clear out any obstructions before they cause major blockages. If the catch basin is shallow enough, you may be able to clean it out yourself with a shovel and bucket. Be careful not to drop the basin's cover down the opening when you remove it - it can be extremely hard to retrieve. If you can't perform your catch basin maintenance, professional services are available.

Disposing of Excavated Material

Solids removed from catch basins may be high in pollutants such as oils, metals, chemicals, nutrients and bacteria. To determine how to properly dispose of these solids, contact the waste disposal facility where you expect them to be taken. Hiring a professional to maintain your catch basins can help to ensure that solid wastes are properly disposed.

Marking Your Storm Drains

Stenciled or decal messages applied with adhesive that read No Dumping, Drains to Creek are a good reminder that nothing but water belongs down a storm drain. Cobb County will provide resources for marking materials. Contact the Storm Drain Marking program listed under "Getting Help".



Get Help!

Cobb County Stormwater Management



(770) 419-6435

Community Partners for Healthy Streams



(770) 419-6303

Cobb County Storm Drain Marking Program



(770) 419-6431