

Safety

Your safety is what drives us. That's why we've given Corolla an impressive list of active and passive safety features as standard equipment. From systems designed to help you avoid accidents to those that can help protect you should a collision occur, Corolla takes your safety seriously. For instance, the Supplemental Restraint System (SRS)¹ consists of six airbags to help protect occupants from virtually any angle. And in the event of a collision, Corolla's body structure has been refined and strategically reinforced to better absorb and channel crash energy around and away from the passenger cabin.

[A] ADVANCED AIRBAG SYSTEM¹ In a collision, the standard dual-stage front airbag system senses impact severity while adjusting airbag deployment accordingly.

[B] SIDE AIRBAGS¹ Corolla comes standard with front seat-mounted side airbags.

[C] FRONT & SECOND ROW SIDE CURTAIN AIRBAGS¹ The standard side curtain airbags cover the length of the cabin from the front seats to the back seats.

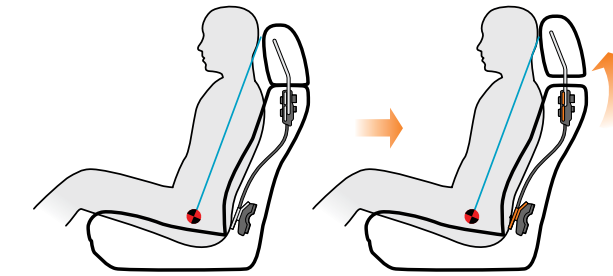
[D] SEATBELTS Corolla features a 3-point Emergency Locking Retractor seatbelt for the driver's seat and Automatic/Emergency Locking Retractors for all passenger belts.

[E] TIRE PRESSURE MONITOR SYSTEM The 2011 Corolla automatically monitors your tire pressure, alerting you if it falls critically low (optional on CE).



ACTIVE FRONT HEADRESTS

Corolla comes standard with active headrests in the front seats that help maintain the occupants' head position in the event of certain lower speed, rear-end collisions.



STAR SAFETY SYSTEM™

2011 Corolla comes standard with the Star Safety System™. This integration of active safety features is designed to protect occupants by helping drivers avoid accidents in the first place. The Star Safety System™ includes Vehicle Stability Control (VSC),⁵ Traction Control (TRAC), Anti-lock Brake System (ABS), Electronic Brake-force Distribution (EBD), Brake Assist (BA),⁶ and Smart Stop Technology (SST).⁷

VSC VEHICLE STABILITY CONTROL

Helps prevent slips and loss of traction by reducing engine power and applying the brake force to the wheels that need it.⁵

TRAC TRACTION CONTROL

Helps maintain traction on wet, icy, loose or uneven surfaces by applying brake force to the spinning wheel(s).

ABS ANTI-LOCK BRAKE SYSTEM

Prevents brakes from locking up by "pulsing" brake pressure to each wheel to help you stay in control in emergency braking situations.

EBD ELECTRONIC BRAKE-FORCE DISTRIBUTION

Redistributes brake force to help keep the rear wheels from locking up during sudden braking situations.

BA BRAKE ASSIST

Detects sudden or "panic" braking and adds the full pressure needed to help prevent a collision.⁶

SST SMART STOP TECHNOLOGY

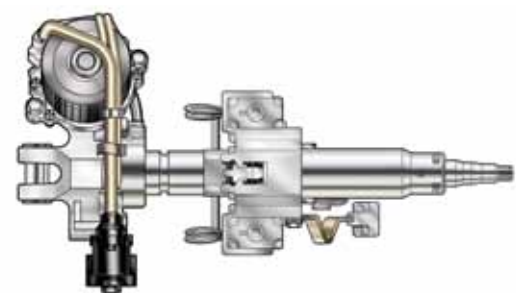
Smart Stop Technology is designed to reduce engine power when the brake is firmly applied helping to bring the vehicle to a stop, even if the accelerator pedal is fully depressed.⁷

Toyota is the first full-line manufacturer to make all of the elements of the Star Safety System™ standard on every new 2011 vehicle. Visit toyota.ca for more details.

Performance

To drive the 2011 Corolla is to experience life in the technological fast lane. Simply press the gas pedal and the electronically controlled throttle body triggers your acceleration. The CE, LE and S models are powered by a 1.8-litre 132 hp engine, while the XRS model is outfitted with a 2.4-litre 158 hp engine. And the Corolla achieves a remarkable balance of performance and efficiency, thanks in part to its lightweight aluminum alloy engine block and cylinder head and its Variable Valve Timing with intelligence innovation, which helps the engine to optimize power, emissions and efficiency.

LE shown in Classic Silver Metallic.



ELECTRIC POWER STEERING The Electric Power Steering (EPS) helps steering response to guide you through the twists and turns of the road.



REFINED SUSPENSION Corolla's impressive handling begins with its rigid chassis. Built to resist body flex, it provides a reliable platform so that the suspension can best do its job. The front suspension, mounted to an additional sub-frame to reduce noise and vibration, is tuned for precision handling. In back, the rear suspension employs a torsion type design that further smoothes the ride quality.

SUPER COOLING SYSTEM The aluminum-alloy XRS engine uses lightweight, high-compression (9.8:1) pistons, kept cool by a "water jacket" that surrounds the cylinder walls to help make the engine block lighter and more compact.

Toyota Quality

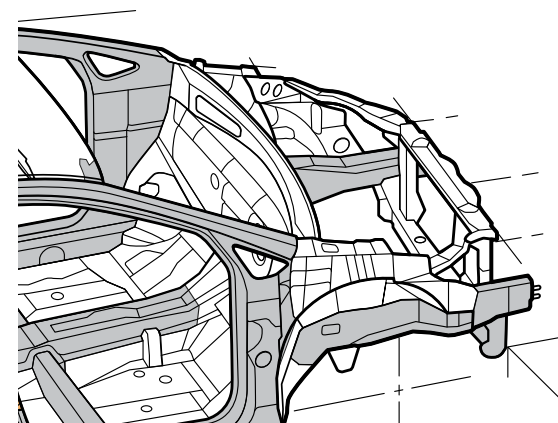
Quality is built right into the production process from the selection of raw materials, right down to the vehicle's final inspection. And it is the responsibility of everyone to ensure the highest quality possible on each and every vehicle. It's through Toyota's philosophy of 'Kaizen' that we are always looking for ways to continually improve. That's how we make things better.

THE TOYOTA PRODUCTION PROCESS is one that is constantly evolving. With our "Just-In-Time" practice, the goal is to make certain that during the manufacturing process, only what is needed gets produced. The result is twofold: because there's no excess supply, any issues are exposed and promptly resolved to ensure that everything off of the Toyota assembly line is of exceptional quality.



THE HUMAN TOUCH. As impressive as the machinery is, the achievement of perfect fit and finish is also the result of continuous human touch for every step of the way.

TOYOTA CANADA COLD RESEARCH CENTRE. Located in Timmins, Ontario, our teams test Toyota vehicles in actual Canadian winter conditions at our cold weather testing track to ensure that they remain dependable throughout the long winter months.



For more information visit toyota.ca

2011 Colours



040 Alpine White^{A,C,D}



1F7 Classic Silver Metallic^{A,C,D}



1G3 Magnetic Grey Metallic^{A,C,D}



209 Black Sand Pearl^{A,C,D,F}



3R3 Barcelona Red Metallic^{C,D,E,F}



4T8 Sandy Beach Metallic^B



856 Nautical Blue Metallic^{A,C,D}

Please see your Toyota Dealer for details.

Interior colour options

- ^A Ash Fabric on CE, LE.
- ^B Bisque Fabric on CE, LE.
- ^C Dark Charcoal Fabric on S, XRS.
- ^D Dark Charcoal Leather on S, XRS (Leather Package only).
- ^E Ash Fabric on CE.
- ^F Bisque Fabric on LE.

New vehicle warranty summary

NO DEDUCTIBLES – NO TRANSFER FEES

COMPREHENSIVE COVERAGE - 3 YEARS OR 60,000 KM This warranty includes 24 hour Roadside Assistance and other benefits, as well as coverage of repairs on any part of the vehicle that is defective in material or workmanship under normal use and maintenance. Different warranties apply to original tires.

POWERTRAIN COMPONENTS - 5 YEARS OR 100,000 KM This warranty covers repairs to powertrain components that are defective in material or workmanship under normal use and maintenance.

MAJOR EMISSION CONTROL COMPONENTS - 8 YEARS OR 130,000 KM This warranty covers repairs to specified major emission components that are defective in material or workmanship under normal use and maintenance.

CORROSION PERFORATION - 5 YEARS UNLIMITED DISTANCE Any sheet metal found, under normal use, to have developed a perforation from corrosion due to defects in material or workmanship.

2011 Corolla Features

	CE	LE	S	XRS
INTERIOR				
AM/FM CD/MP3/WMA Player, Audio Auxiliary Input Jack, Title Display, XM® Satellite Ready Antenna w/Prewire, Digital Signal Processor (DSP), Glass Imprinted Antenna	●	●	–	–
AM/FM CD/MP3/WMA Player, Integrated XM® Satellite Radio, Audio Auxiliary Input Jack, Title Display, Bluetooth® ³ Capability, USB Audio Input, Digital Signal Processor (DSP), Glass Imprinted Antenna, Steering Wheel Audio Controls	–	–	●	●
4-Speakers	●	–	–	–
6-Speakers	–	●	●	●
Air Conditioning	–	●	●	●
Rear Seat Heater Ducts, Cabin Air Filter	●	●	●	●
Front Bucket Seats, Fabric Seat Material	●	–	–	–
Front Bucket Seats, Premium Fabric Seat Material	–	●	–	–
Front Sport Bucket Seats Sport Fabric Seat Material	–	–	●	●
Driver Seat w/Recline, Vertical Adjustments	●	●	●	●
Front Passenger Seat Recline	●	●	●	●
60/40 Split Rear Bench Seat w/Fold-Down Seat Back	●	●	●	●
All-Position Vertically Adjustable Headrests	●	●	●	●
Power Windows w/Driver Side Auto Down	–	●	●	●
Power Door Locks	–	●	●	●
Power Auto Door Lock w/Shifter Activation (Auto Transmission only)	–	●	●	●
Tachometer, Water Temperature Gauge, Outside Temperature Gauge	●	●	●	●
Dual Vanity Mirrors	●	●	●	●
3-Spoke, Tilt & Telescopic Steering Wheel	●	●	●	●
Leather-Wrapped Steering Wheel	–	–	●	●
Simulated Woodgrain Trim	–	●	–	–
Fabric Door Trim, Fabric Headliner	●	●	●	●
Silver-Painted Inner Door Handles	–	●	●	●
Chrome Vent Knobs	–	●	●	●
Driver Footrest	●	●	●	●
Metallic Dash Accents	–	–	–	●
Scuff Plates	–	●	●	●
Carpet Floor Mats	●	●	●	●
Cruise Control	–	●	●	●
Centre Console w/Armrest, Storage Pockets	●	●	●	●
Overhead Console Box	–	–	–	●
Digital Clock	●	●	●	●
Driver's Coin Case Compartment	●	●	●	●
Cargo Area Side Storage Compartments	●	●	●	●
Driver & Front Passenger Door Pockets	●	●	●	●
Upper & Lower Glove Boxes	●	●	●	●
Retractable Coat Hooks	●	●	●	●
Front & Rear Door Integrated Bottle Holders & Cup Holders	●	●	●	●
Front Seat Back Pockets	–	●	–	–

● = Standard ○ = Optional – = Not Available

	CE	LE	S	XRS
INTERIOR (cont'd)				
Accessory Power Outlet (12v)	●	●	●	●
Keyless Entry, Key Lockout Protection	–	●	●	●
Illuminated Entry w/Fade-Out Dome Lamp	●	●	●	●
SAFETY				
STAR SAFETY SYSTEM™ Star Safety System™ – includes Vehicle Stability Control (VSC) ² , Traction Control (TRAC), Anti-lock Brake System (ABS), Electronic Brake-force Distribution (EBD), Brake Assist (BA) ⁵ & Smart Stop Technology (SST) ⁷	●	●	●	●
Dual-Stage Driver & Front Passenger Airbag Supplemental Restraint System (SRS) ¹	●	●	●	●
Front Passenger Airbag Occupancy Classification Indicator	●	●	●	●
Front Seat-Mounted Side Airbags (SRS) ¹	●	●	●	●
Front & Rear Head/Side Curtain Airbags (SRS) ¹	●	●	●	●
Active Front Headrests w/Whiplash Protection	●	●	●	●
Front Seatbelt Pre-Tensioners & Force Limiters	●	●	●	●
All-Position 3-Point Lap & Shoulder Belts	●	●	●	●
Front Seatbelt Anchor Height Adjusters	●	●	●	●
Anchor Points for Child Restraint Seats	●	●	●	●
Rear Side Seatbelt Comfort Guides	●	●	●	●
Child Protector Rear Door Locks	●	●	●	●
Engine Immobilizer	●	●	●	●
Low Fuel, Low Washer Fluid, Door Ajar, Head Lamps On, Driver & Front Passenger Seatbelt Warning Indicators	●	●	●	●
Tire Pressure Monitoring System	–	●	●	●
Front & Rear Seat Assist Grips	●	●	●	●
EXTERIOR				
15" Steel Wheels w/Full Wheel Covers	●	–	–	–
16" Aluminum Alloy Wheels, Wheel Locks	–	●	●	–
17" Aluminum Alloy Wheels, Wheel Locks	–	–	–	●
Side Window Defoggers, Electric Rear Window Defroster w/Timer	●	●	●	●
Tinted Glass, Front Windshield Acoustic Glass	●	●	●	●
Fuel Cap Hanger	●	●	●	●
Front & Rear Splash Guards	●	●	–	–
Coloured Rear Spoiler	–	–	●	●
Power Moonroof w/Sunshade	–	–	–	●
Coloured Door Handles, Blacked Out "B" Pillar	–	●	●	●
Coloured Full Skirt Package	–	–	●	●
Coloured, Heated, Foldable, Power Adjustable Mirrors	●	●	●	●
Intermittent Wipers	●	–	–	–
Variable Intermittent Wipers	–	●	●	●
Reflector-Style Halogen Headlamps	●	●	●	●
Black Headlamp Surround	–	–	●	●
Fog Lamps	–	●	●	●

	CE	LE	S	XRS
PACKAGES				
Convenience Package: Air Conditioning, Coloured Door Handles, Keyless Entry, Power Door Locks, Tire Pressure Monitoring System, Power Auto Door Lock w/Shifter Activation (Auto Transmission only)	○	–	–	–
Enhanced Convenience Package: Air Conditioning, Power Windows w/Driver Side Auto Down, Cruise Control, Coloured Door Handles, Power Auto Door Lock w/Shifter Activation (Auto Transmission only), Keyless Entry, Power Door Locks, Tire Pressure Monitoring System	○	–	–	–
Upgrade Package: Steering Wheel Audio & Bluetooth® ³ Controls, Integrated XM® Satellite Radio, Bluetooth® ³ Capability, 6-Speakers, 8-Way Power Driver's Seat w/Lumbar Support, Heated Driver & Front Passenger Seats	–	○	–	–
Premium Package: Steering Wheel Audio & Bluetooth® ³ Controls, Automatic Climate Control, Integrated XM® Satellite Radio, Bluetooth® ³ Capability, 6-Speakers, 8-Way Power Driver's Seat w/Lumbar Support, Heated Driver & Front Passenger Seats, Push Button Start, Smart Key System, Power Moonroof, Overhead Console Box	–	○	–	–
Moonroof Package: Power Moonroof, Overhead Console Box	–	–	○	–
Leather & Moonroof Package: Power Moonroof, Overhead Console Box, Heated Driver & Front Passenger Seats, Leather Seat Surfaces	–	–	○	–
Leather Package: Heated Driver & Front Passenger Seats, Leather Seat Surfaces	–	–	–	○

2011 Corolla Specifications

	CE	LE	S	XRS
MECHANICAL				
Engine				
1.8 Litre, 4-Cylinder, DOHC, 16-Valve, Dual Variable Valve Timing w/intelligence (Dual VVT-i)	●	●	●	–
2.4 Litre, 4-Cylinder, DOHC, 16-Valve, Variable Valve Timing w/intelligence (VVT-i)	–	–	–	●
Compression Ratio				
10.0:1	●	●	●	–
9.8:1	–	–	–	●
Horsepower				
132 hp (98 kW) @ 6000 rpm	●	●	●	–
158 hp (118 kW) @ 6000 rpm	–	–	–	●
Torque				
128 lb.ft. (174 N.m.) @ 4400 rpm	●	●	●	–
162 lb.ft. (220 N.m.) @ 4000 rpm	–	–	–	●
Suspension				
Front: Independent MacPherson Gas Struts w/Stabilizer Bar	●	●	●	●
Front: Sport Strut Tower Brace	–	–	–	●
Rear: Torsion Beam Type w/Stabilizer Bar	●	●	●	●
Rear: Sport Strut Tower Brace	–	–	–	●
Drivetrain				
Front Engine/Front Wheel Drive	●	●	●	●
Vehicle Stability Control (VSC) ² w/Cut-Off Switch, Traction Control (TRAC)	●	●	●	●
Transmission				
5-Speed, Manual, Overdrive	●	–	●	●
4-Speed, Automatic, Overdrive, Electronically Controlled Transmission (ECT)	○	●	○	–
5-Speed, Automatic, Overdrive, Electronically Controlled Transmission (ECT) w/Sequential Multi-Mode Shifter	–	–	–	○
Brakes				
Power-Assisted, Ventilated Front Discs, Rear Drums	●	●	●	–
Power-Assisted, Ventilated Front Discs, Solid Rear Discs	–	–	–	●
Anti-lock Brake System (ABS) w/Electronic Brake-force Distribution (EBD) & Brake Assist (BA) ⁵	●	●	●	●
Steering				
Electric Rack & Pinion w/Variable Power Assist	●	●	●	●
Tires				
P195/65R15, All-Season Radials, Compact Spare	●	–	–	–
P205/55R16, All-Season Radials	–	●	●	–
P215/45R17, All-Season Radials	–	–	–	●

	CE	LE	S	XRS
DIMENSIONS				
Length	4540 (178.7)	●	●	●
Width	1760 (69.3)	●	●	●
Height (Unloaded)	1465 (57.7)	●	●	●
Wheelbase	2600 (102.4)	●	●	●
Track	Front: 1529 (60.2)	●	–	–
	Rear: 1534 (60.4)	●	–	–
	Front: 1517 (59.7)	–	●	–
	Rear: 1522 (59.9)	–	●	–
	Front: 1518 (59.8)	–	–	●
	Rear: 1522 (59.9)	–	–	●
Seating Capacity	5	●	●	●
Headroom	Front: 985 (38.8)	●	●	–
	Rear: 946 (37.2)	●	●	–
	Front: 963 (37.9) w/Moonroof	–	○	○
	Rear: 944 (37.2) w/Moonroof	–	○	○
Legroom	Front: 1059 (41.7)	●	●	●
	Rear: 921 (36.3)	●	●	●
Shoulder Room	Front: 1392 (54.8)	●	●	●
	Rear: 1388 (54.6)	●	●	●
Ground Clearance	147 (5.8)	●	●	–
	135 (5.3)	–	–	●

- All Toyota vehicles shown in this brochure, have Supplemental Restraint Systems (SRS) which, depending on the model, may include driver and front passenger airbags, a driver's knee airbag, front seat-mounted side airbags or side curtain airbags. For important safety information about the Supplemental Restraint System in a vehicle, please see the Owner's Manual or contact your local Toyota Dealer.
- These estimates are based on the Government of Canada's approved criteria and testing methods. The actual fuel consumption of this vehicle may vary. Refer to the Government of Canada publication *EnerGuide Fuel Consumption Guide*.
- Toyota tests certain phones for compatibility with Bluetooth technology. Some vehicles equipped with Bluetooth technology are available with bilingual capability. Note that the recommendation of Toyota is not a warranty of the performance for any phone and that some problems may occur with any type of handset based on the service coverage available in your area. Please see your Toyota Dealer for details.
- The Toyota DVD based Navigation system is designed to assist in locating an address or point of interest. Discrepancies may be encountered between the system and your actual location. Changes in street names, road closures, traffic flow or other road system changes may affect the accuracy of the mapping software. Rely on your common sense to decide whether or not to follow a specified route. Detailed coverage is not available in every city. Optional periodic geographic updates are available at an additional cost. The Navigational systems in some vehicles are available with bilingual capability. Please see your Navigation system Owner's Manual and your Toyota Dealer for further details.

	CE	LE	S	XRS
CURB WEIGHT				
Manual	1240 (2734)	●	–	–
	1255 (2767)	–	–	●
	1300 (2866)	–	–	●
Automatic	1255 (2767)	○	–	–
	1270 (2800)	–	●	○
	1330 (2932)	–	–	○
TOWING CAPACITY				
	680 (1500)	●	●	●
CARGO CAPACITY				
	0.35 (12.3)	●	●	●
TURNING CIRCLE				
	11.3 (37.1)	●	●	●
FUEL CAPACITY				
	50.0 (11.0)	●	●	●
FUEL CONSUMPTION RATING²				
	L/100 km			mpg (imperial gallon)
City/Highway/Combined				
Manual	7.4/5.6/6.6	38/50/43	●	–
Automatic	7.8/5.7/6.8	36/50/42	○	●
Manual	9.5/6.7/8.2	30/42/34	–	–
Automatic	9.4/6.5/8.1	30/43/35	–	–

- Vehicle Stability Control (VSC) is an electronic system designed to help the driver maintain vehicle control under adverse conditions. It is not a substitute for safe driving practices. Factors including speed, road conditions and driver steering input can all affect whether VSC will be effective in preventing a loss of control.
- Brake Assist (BA) is designed to help the driver take full advantage of the benefits of Anti-Lock Brake System (ABS). It is not a substitute for safe driving practices. Braking effectiveness also depends on proper brake-system maintenance and tire and road conditions.
- Smart Stop Technology (SST) operates only in the event of certain simultaneous brake and gas pedal applications. When engaged, the system will reduce engine power to help the brakes bring the vehicle to a stop. Factors including speed, road conditions and driver input can all impact stopping distance. Smart Stop Technology is not a substitute for safe and attentive driving and does not guarantee instant stopping.
- Toyota Canada is proud to say that all Toyota vehicles built in Canada are made from Canadian and imported parts.

Toyota Canada Inc. Every effort has been made to ensure the specifications and equipment shown are accurate based on information available at time of printing. In some cases, certain changes in production capacity, standard equipment, options or product delays may occur which would not be reflected in this brochure. Toyota Canada Inc. reserves the right to make these changes without notice or obligation. The Toyota website toyota.ca – or your Toyota Dealer is your best source for up-to-date information.