



USER GUIDE

TABLE OF CONTENTS

Box Contents	3
Installation and Quick Start Guide	4
Important Information	23
Intended Use	23
Probe Usage	23
Disposal Requirements	24
Technical Specifications	24
Declaration of Conformity	25

Before you begin



Enhance Your Assembly Experience

Download the free BILT™ app for step-by-step 3D instructions showing how to install your iGRILL



Box Contents

Battery Pack



Battery Pack Bracket

AA Batteries (3)



Battery Wire



Wire Retention Clip

iGRILL 3



Meat Probe

Yellow-Coloured Probe Indicator

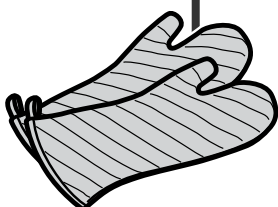
Probe Wrap



Probe Wrap

Red-Coloured Probe Indicator

Meat Probe

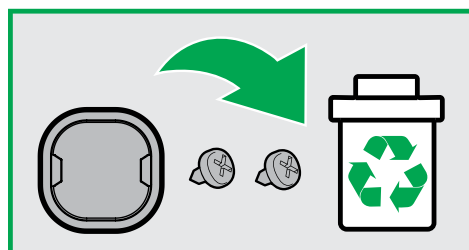
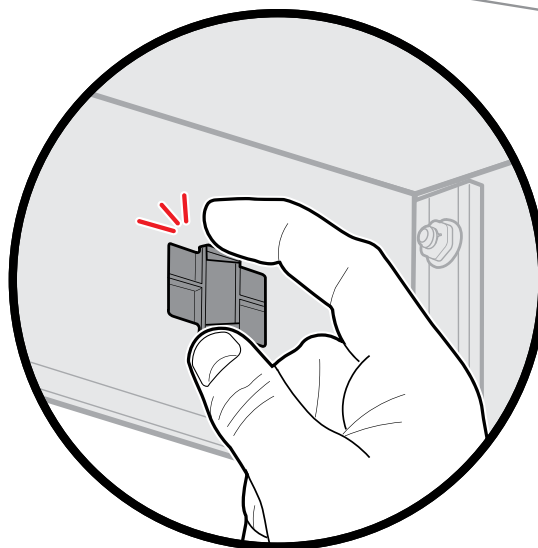
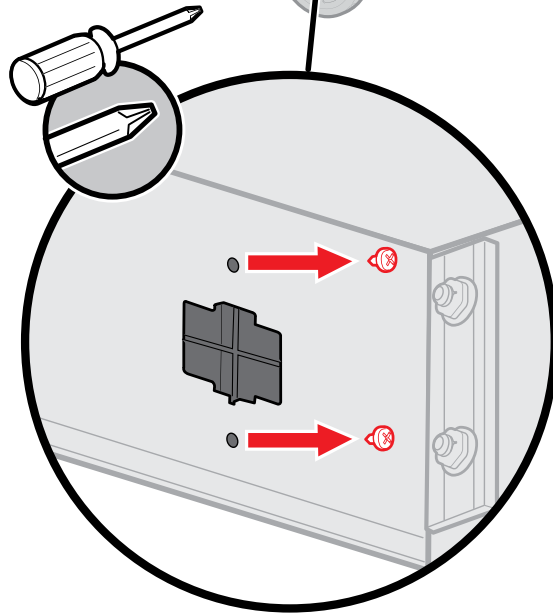
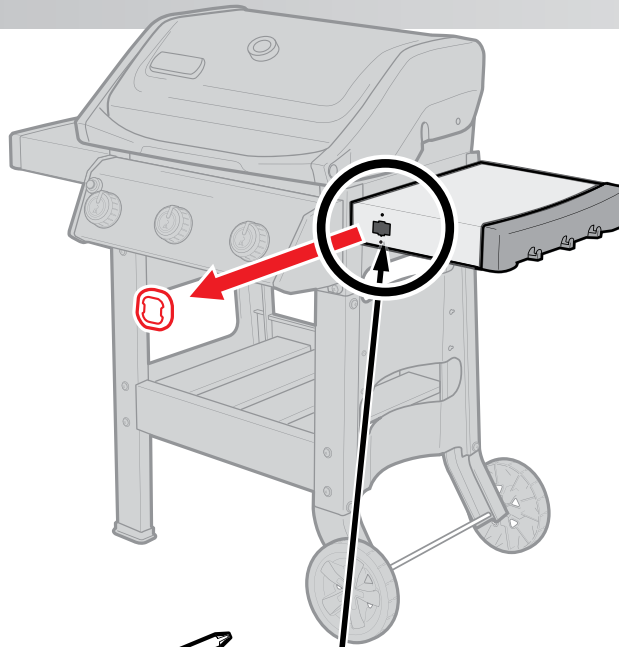


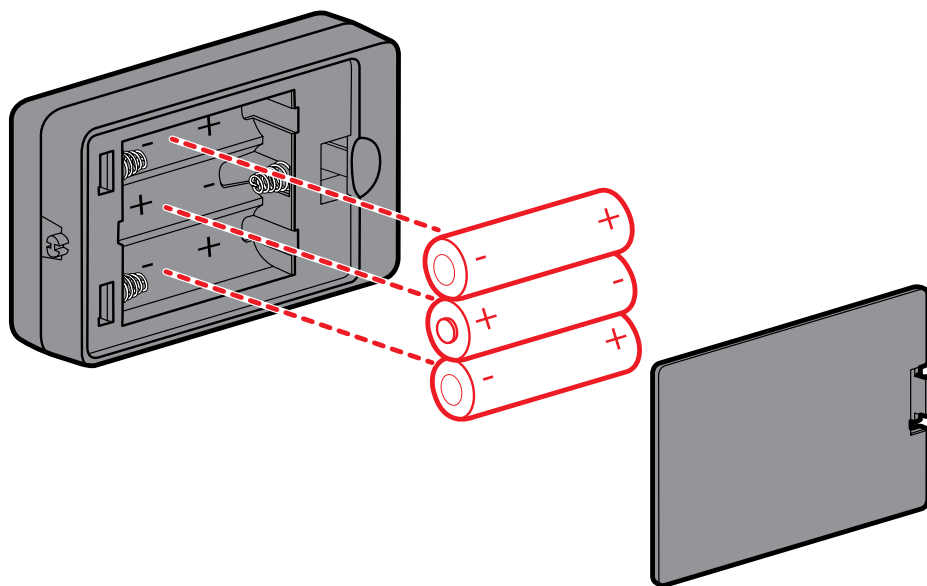
WARNING!
Probe gets hot.
Use mitts or gloves.

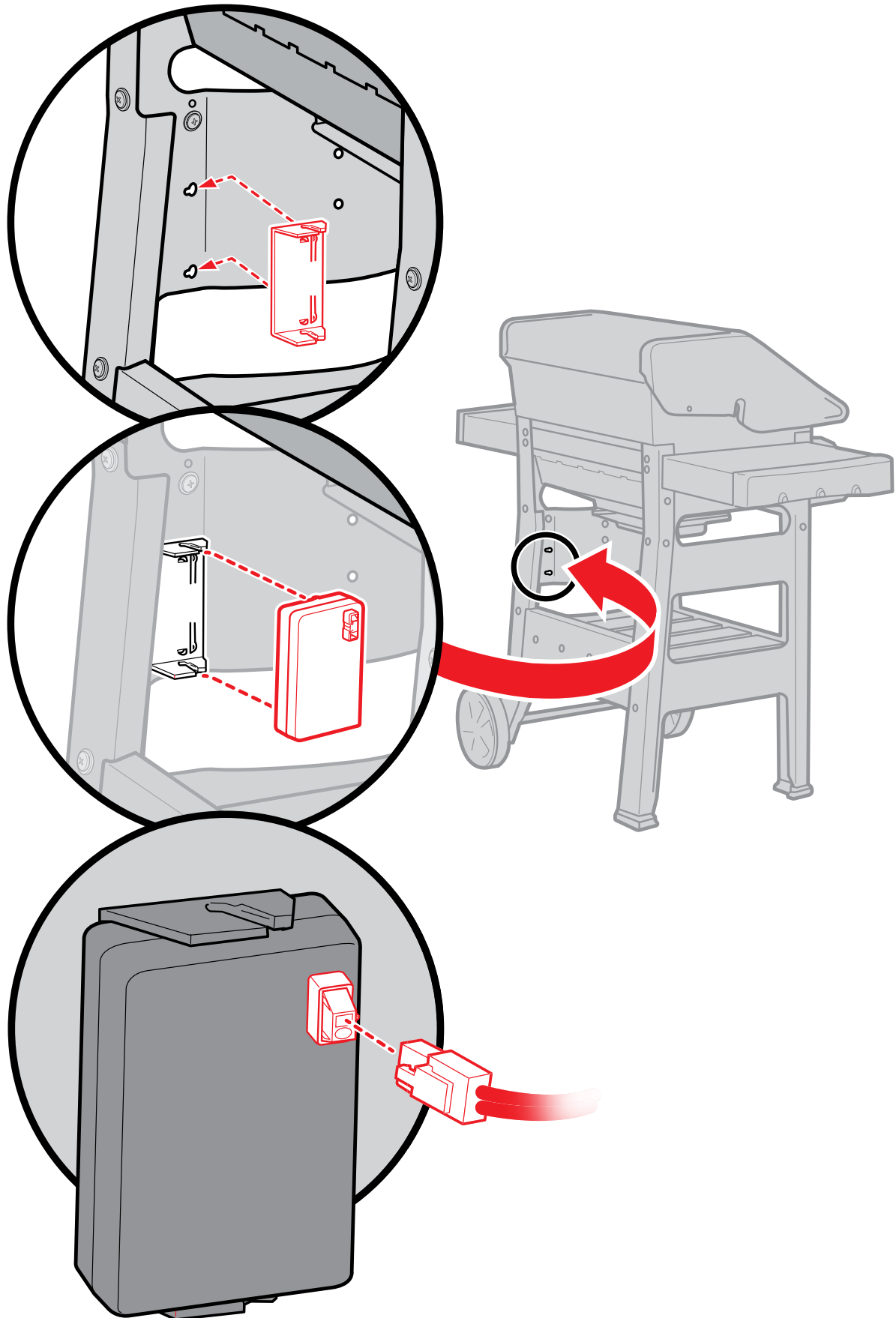
Installation and Quick Start Guide

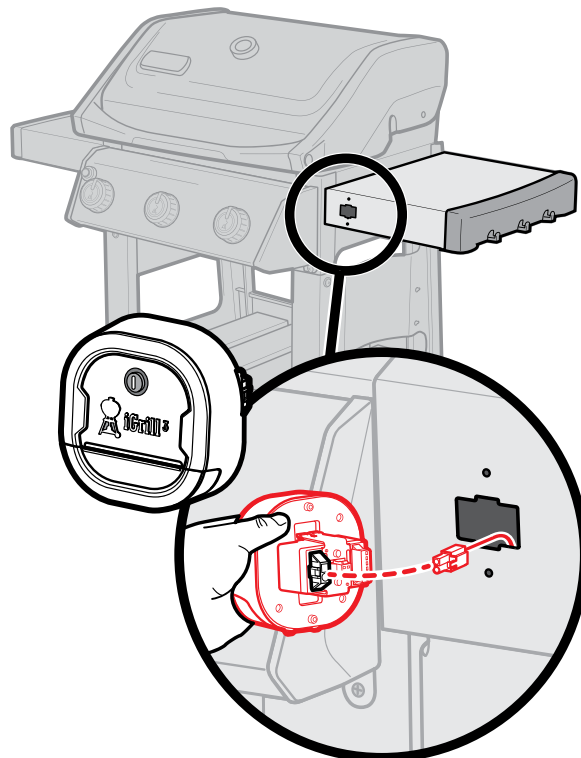
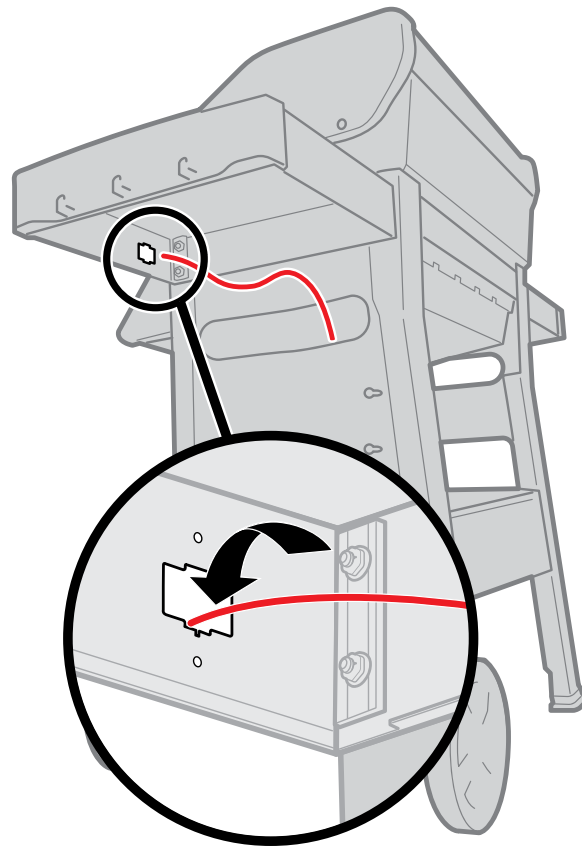
1

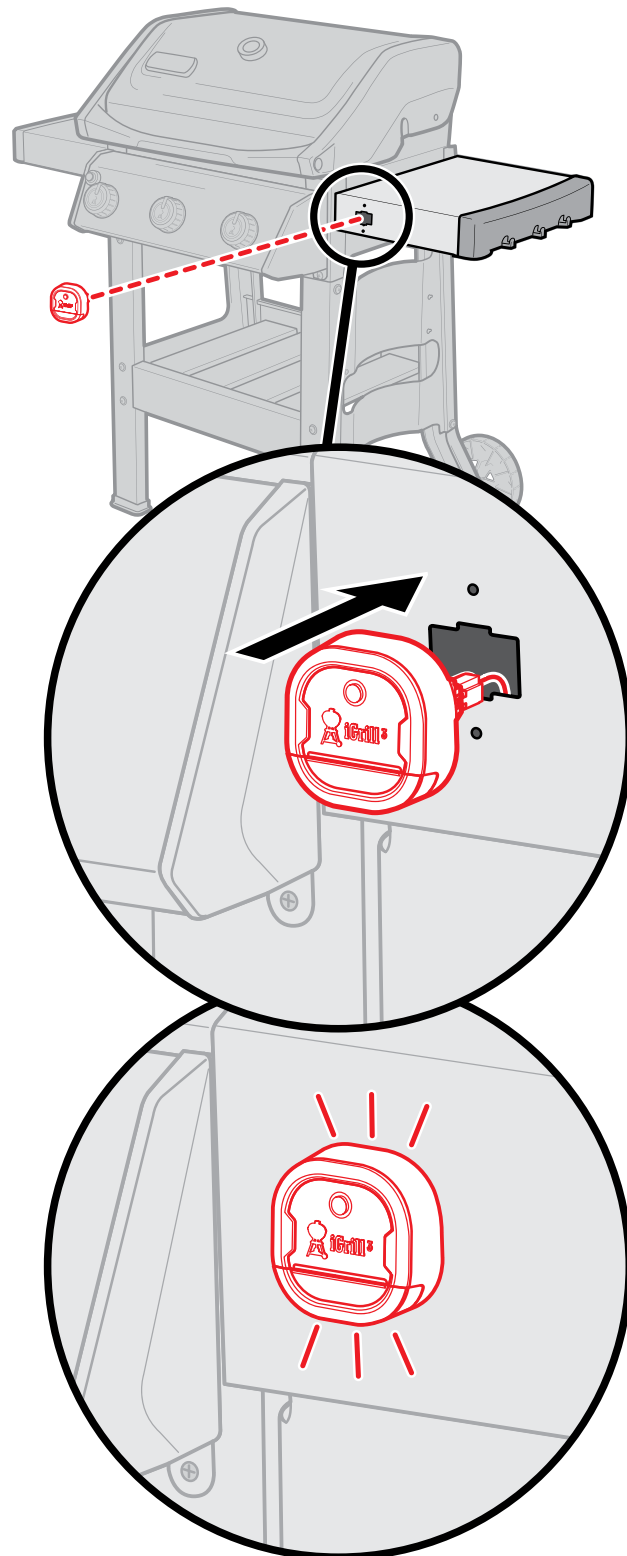
SPIRIT II

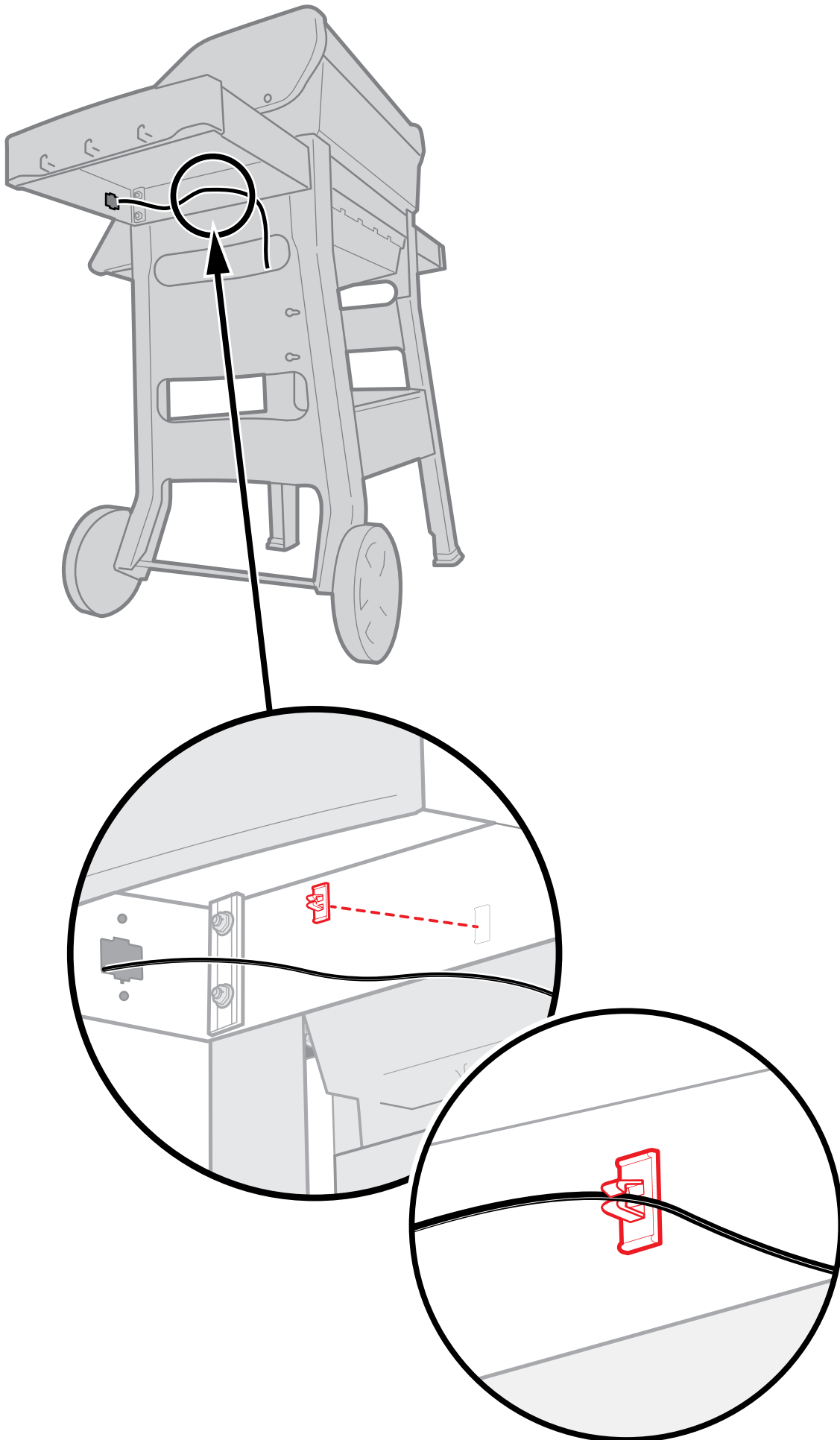










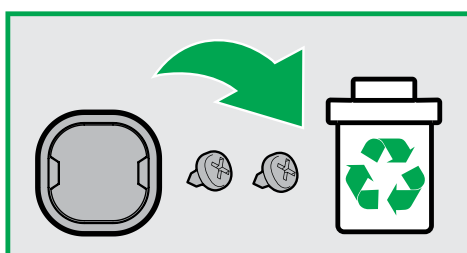
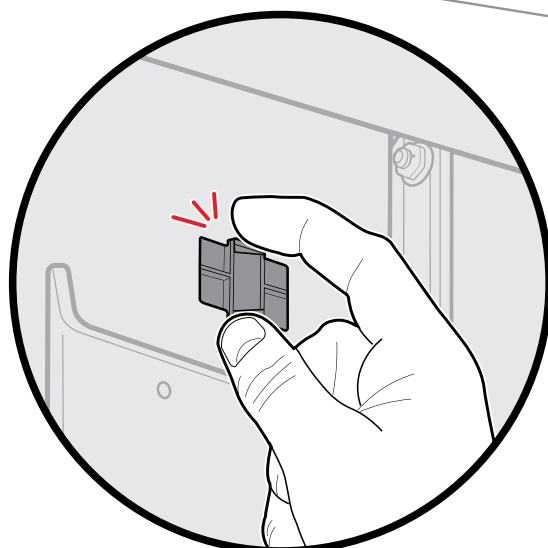
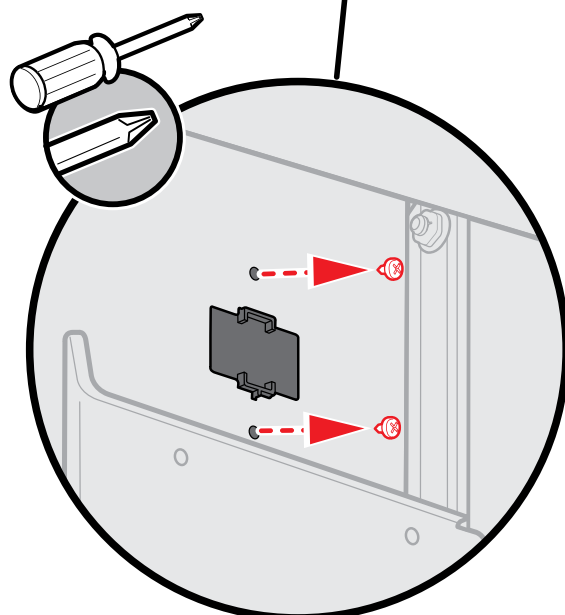
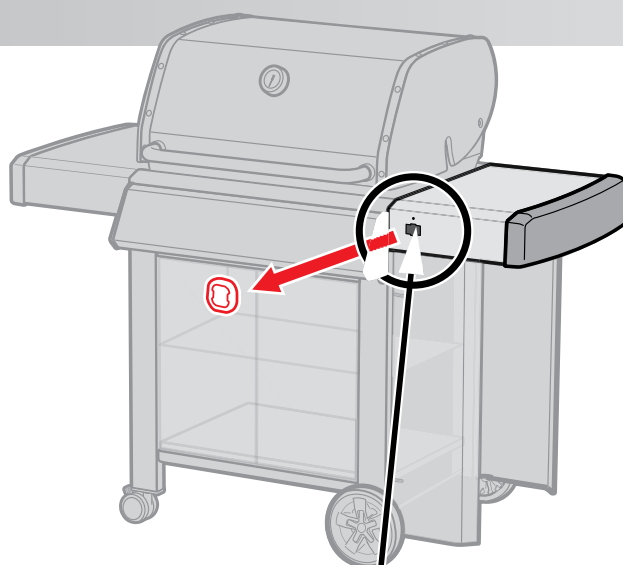


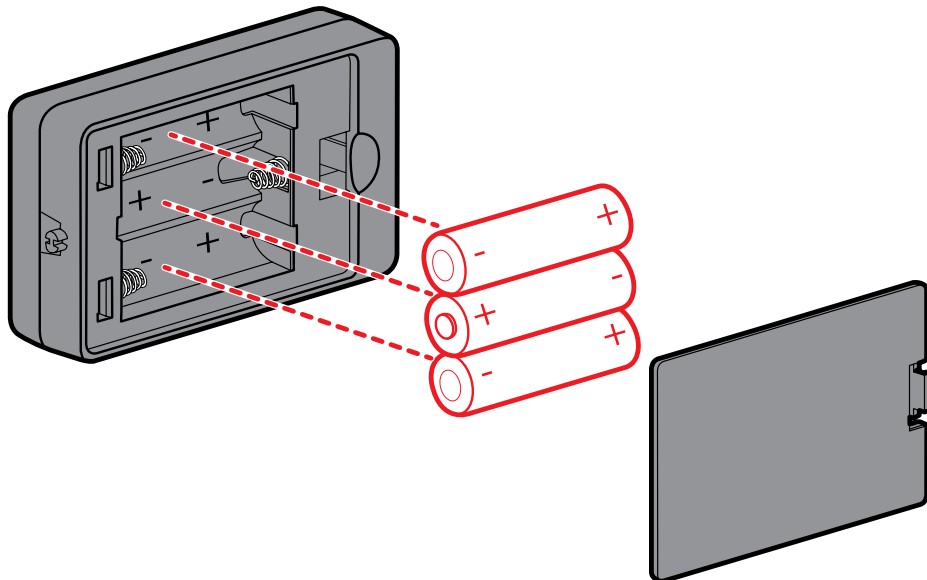
Installation and Quick Start Guide

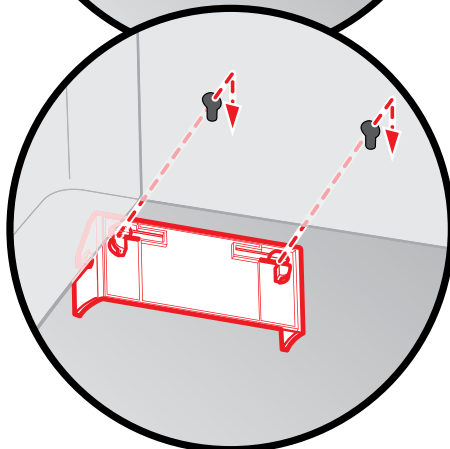
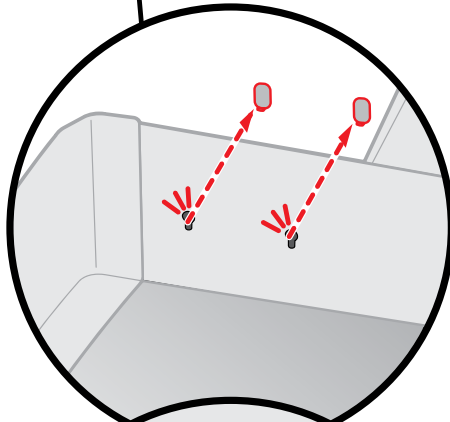
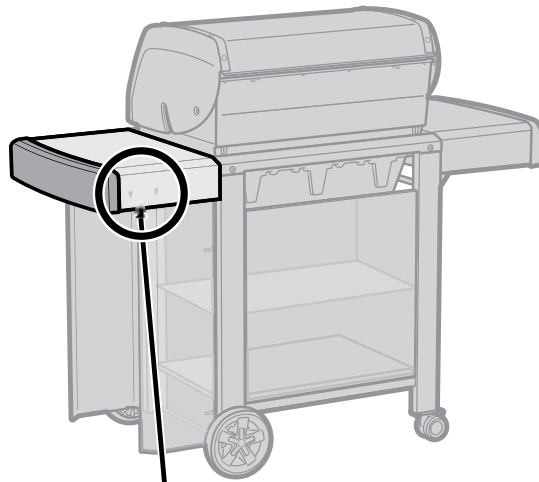
1

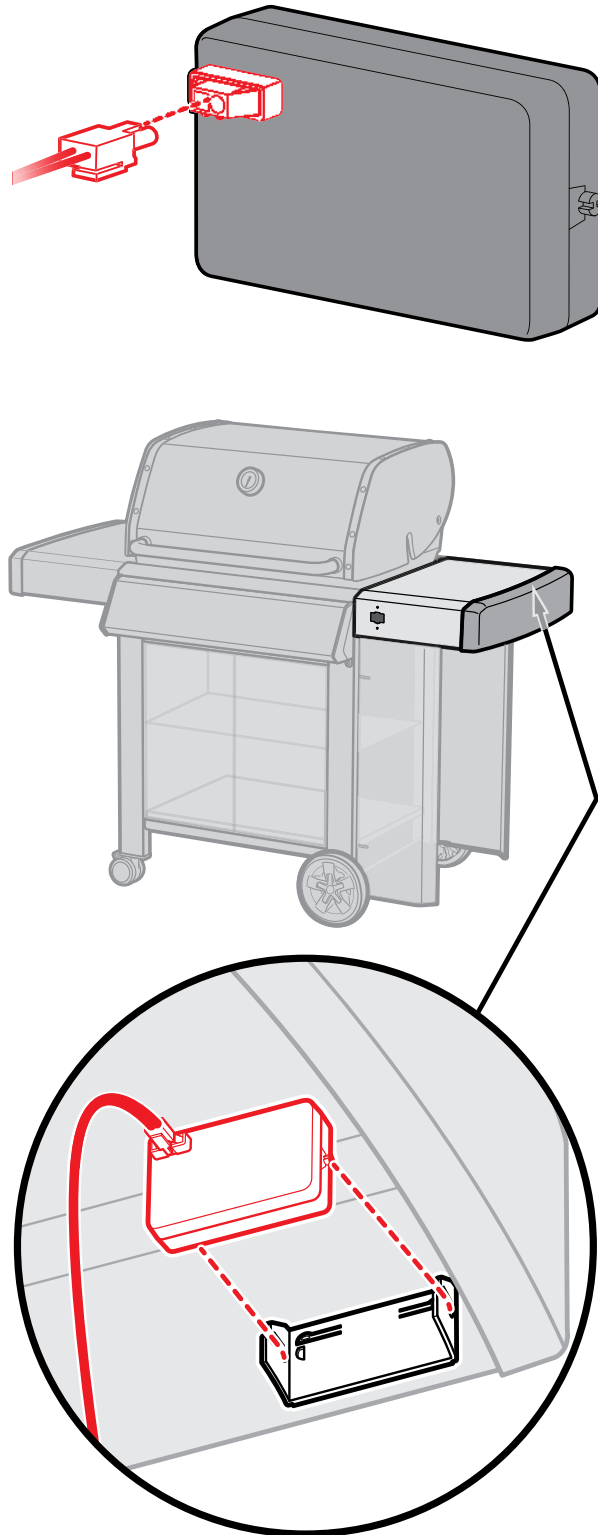
GENESIS II

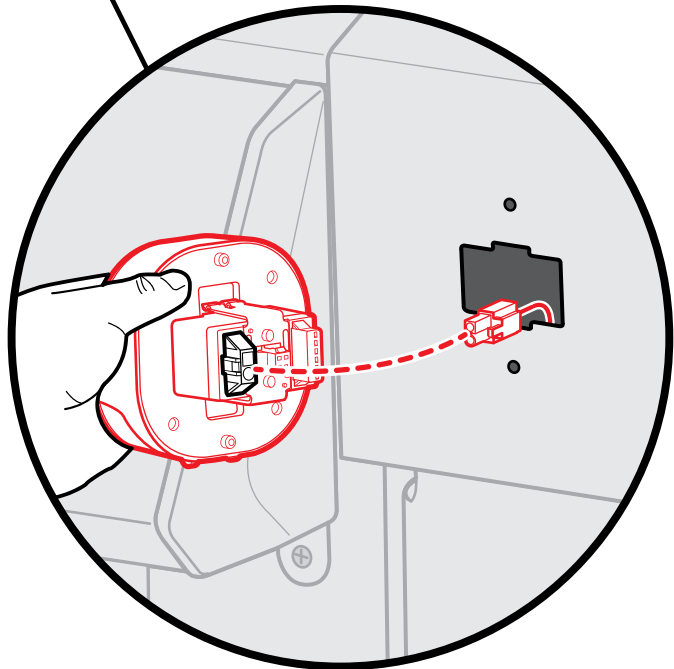
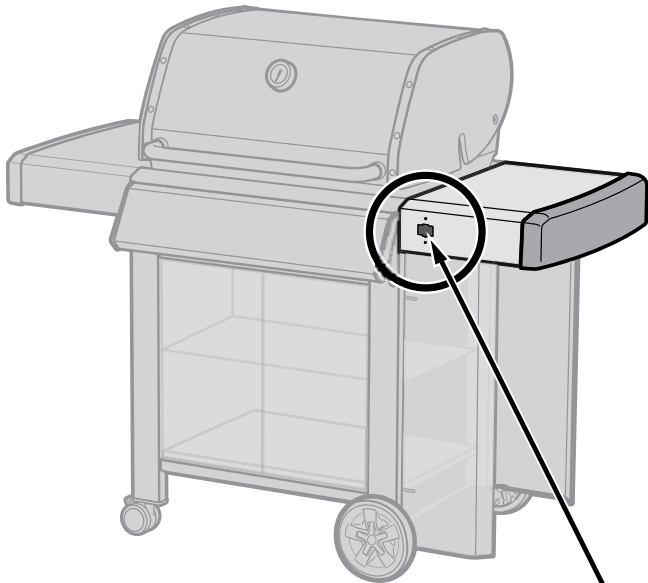
GENESIS II
LX

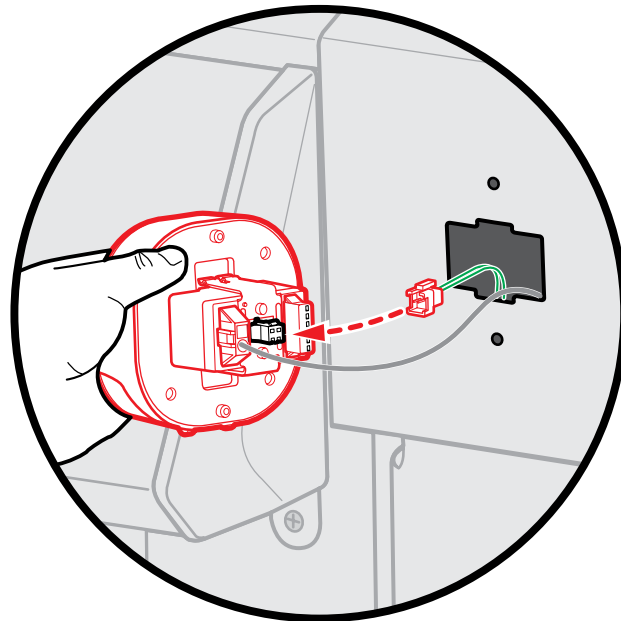
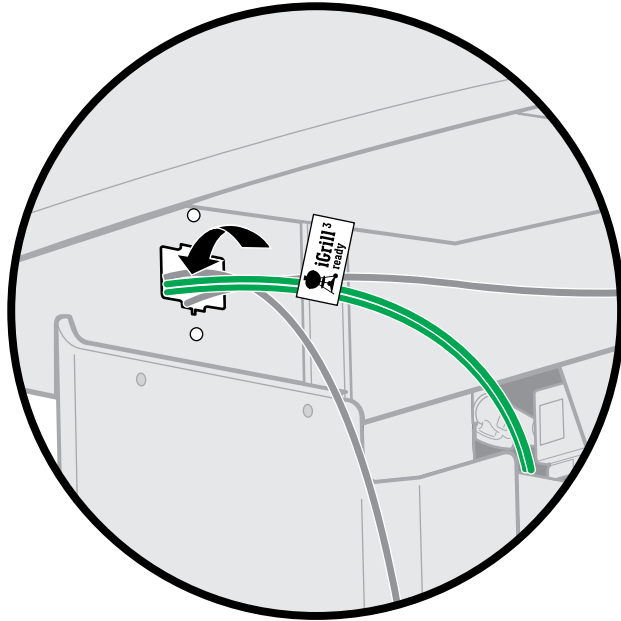


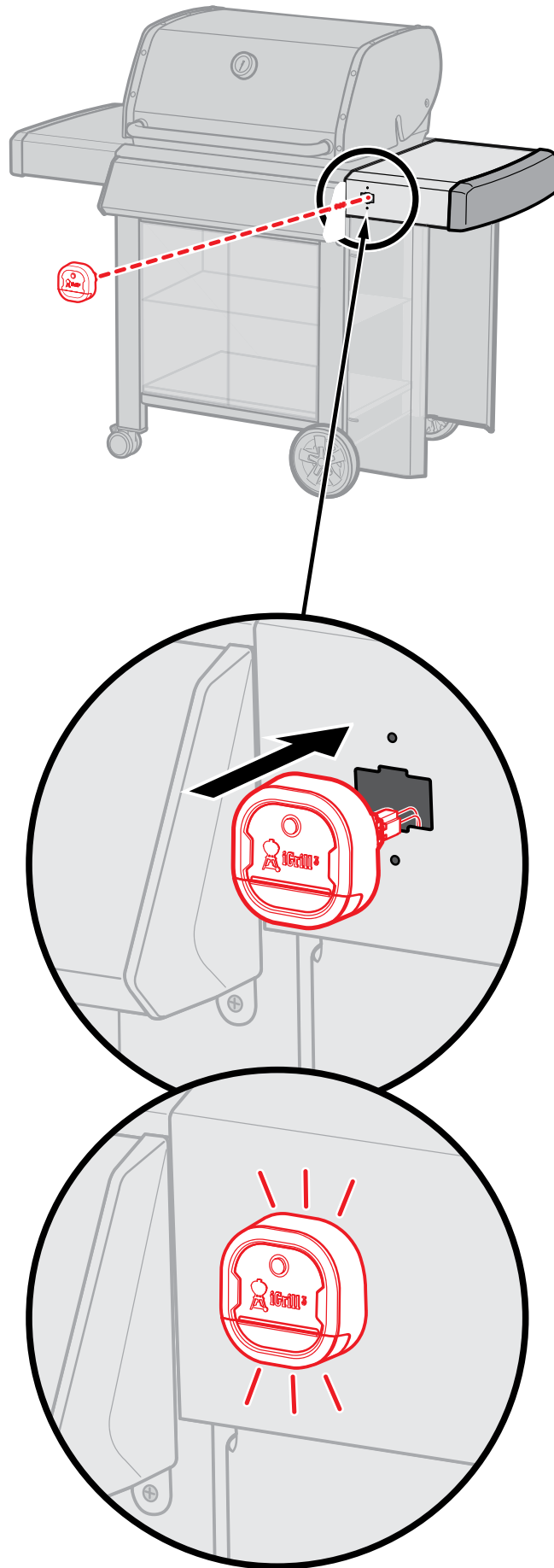


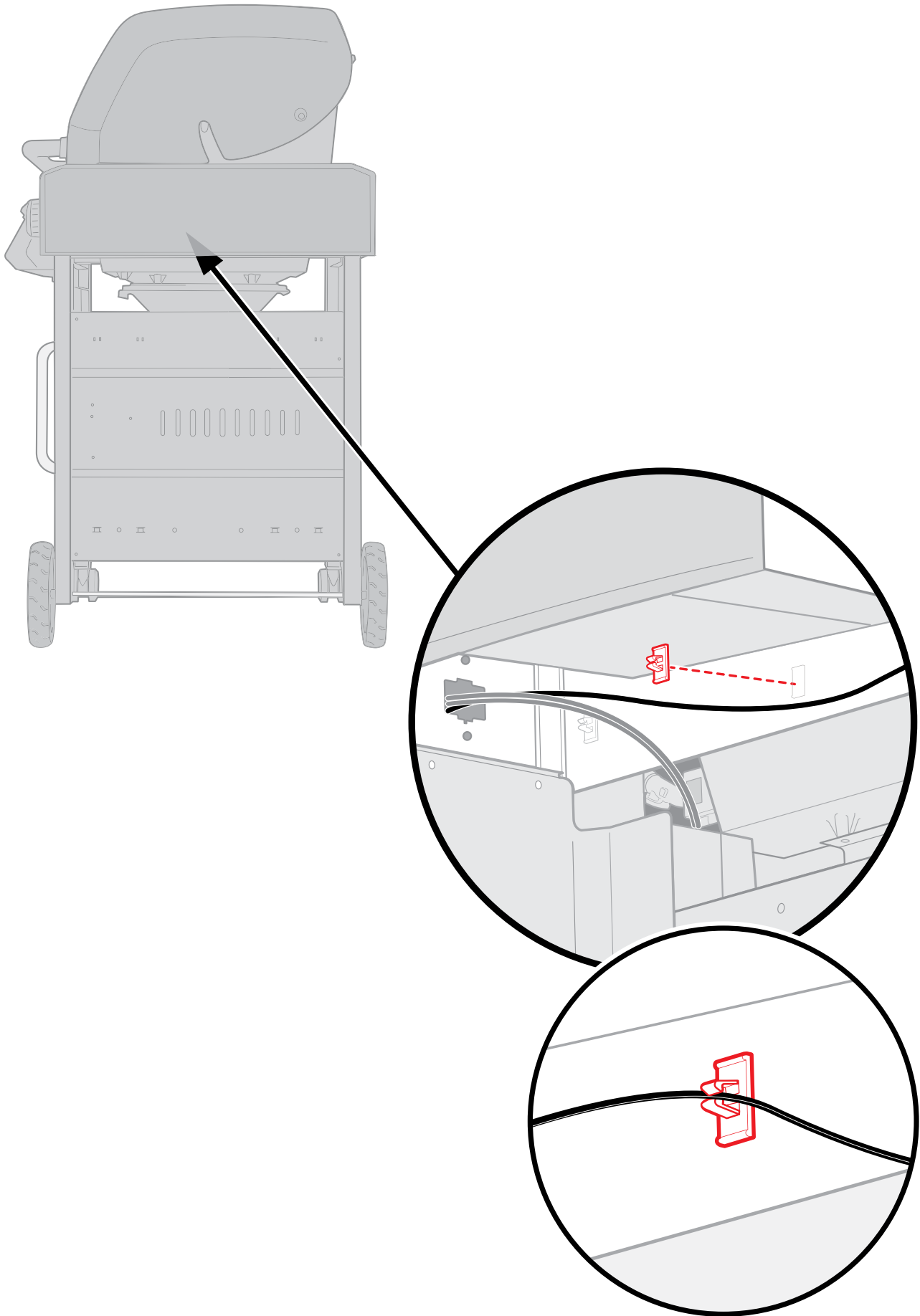












Quick Start Instructions

1



Download the WEBER iGRILL App. Then enable Bluetooth[®] on your smart device under 'Settings'.

2



Press the power button once to turn on the iGRILL 3. A single beep will sound.

3



Open the door on the front of the iGRILL 3 to expose the probe ports.

4



Plug one or more probes into the ports.



WARNING: Risk of burns!

Handling the meat probes without hand protection will result in severe burns. Please wear heat-resistant gloves or mitts at all times while using this product in order to avoid being burned.

5



Launch the WEBER iGRILL App on your smart device. Follow the pairing instructions within the app. You are now ready to use your iGRILL 3.

Additional information, instructional videos and barbecue inspiration can be found at weber.com/igrillsupport.

Important Information

Visit weber.com/igrillsupport to learn more about device compatibility, the languages that are supported by the WEBER iGRILL App, a full user guide with instructional videos and brilliant barbecue inspiration. Please read the full user guide, especially the safety information, before using the WEBER iGRILL 3 for the first time. Follow the instructions while using the device.

Intended Use

Use this device only for measuring and monitoring the temperature of grilled items on WEBER iGRILL compatible products only. On the Genesis II LX models, the knob lights can be turned on and off directly from the WEBER iGRILL App. Any other use other than described may cause damage. The manufacturer or retailer are not liable for damages arising from improper use. When using an iGRILL 3, never leave your grill unattended and follow all instructions in your grill owners guide.

Note: The device is not to be used by children or persons with reduced physical, sensory or mental capabilities.

Note: Do not mix old and new batteries. Do not mix alkaline, standard or rechargeable batteries.

Meat Probe Use



WARNING: Risk of injury! The probes are very sharp. Please be careful when handling the probes.



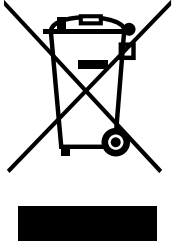
WARNING: Risk of burns! Handling the temperature probes without hand protection will result in severe burns. The coloured probe indicators are not intended to be touched with bare hands while using the barbecue as they are not heat-insulated. Please wear heat-resistant gloves at all times while using this product in order to avoid being burned.

Important Note: When using the probes, please be sure to route the wire where it will not be exposed to flames or temperatures exceeding 380°C. Avoid exposing the probes to temperatures below -30°C. Temperatures below -30°C or above 300°C will not display in the app and will cause the probe to disappear from the connection.

Clean the probes before first use. The probes are not dishwasher safe. Do not use chemicals or abrasive detergents to clean the probes. Wipe down the probes with a damp towel or cleaning wipe. Take care not to expose the probe's wiring or the area where the wiring meets the probe to liquid .

The probes are not waterproof and damage may result from water exposure. Never submerge the probes in water.

Disposal Requirements



This product should not be disposed of with ordinary household rubbish. The user is obligated to take the device(s) to a designated collection point for the disposal of electrical and electronic equipment in order to ensure an environmentally-compatible disposal.



WARNING: Battery disposal! Never dispose of batteries in an open fire. Always dispose of batteries in accordance with local laws.

Technical Specifications

Frequency Range (MHz): 2402.0 - 2480.0 MHz

Output Power (Watts): 0.0012 W

Declaration of Conformity

iGRILL 3

1. **Brand Name:** Weber
Model Name: iGRILL 3
Model Number: 7205
Product Description: Bluetooth Wireless Barbecue Thermometer
2. **Manufacturer:** Weber-Stephen Products LLC, 1415 S. Roselle Road, Palatine IL, 60067, USA
3. We, company Weber-Stephen Products LLC, located at 1415 S Roselle Road, Palatine IL, 60067, USA, issue this declaration of conformity under our sole responsibility.
4. **Object of the Declaration:** WEBER iGRILL 3, which contains a transmitter, two probes, a battery pack and three (AA) alkaline batteries.
5. The object of the declaration that is described above is in conformity with the relevant Union harmonisation legislation.

Directive 2014/53/EU Radio Equipment Directive (RED):

Safety/Health

Directive 2012/19/EC Waste Electrical and Electronic Equipment (WEEE)

Directive 2011/65/EC Restriction of Hazardous Substances in EEE (RoHS 2)

Regulation No 1907/2006 Registration, Evaluation, Authorisation and Restriction of Chemicals (REACH)

Regulation (EC) No 1935/2004 Materials and Articles Intended to Come into Contact with Food, Council of Europe Resolution CM/Res (2013)9 on Metals and Alloys Used in Food Contact Materials and Articles

6. **Harmonised standards:**

Safety/Health

EN 60950-1:2006+A11:2009+A1:2010+A12:2011+A2:62479:2010
EN 62479:2010

EMC

EN 301 489-17 V2.2.1:2012-09
EN 301 489-1 V1.9.2:2011-09
EN 55014-1:2006+A1:2009+A2:2011
EN 55014-2:1997+A1:2001+A2:2008

Radio

EN 300 328 V1.8.1:2012-06

7. **N/A**

8. The object of this declaration functions using software and a smart device-enabled app to which the software connects.
9. Signed for and on behalf of Weber-Stephen Products LLC, Palatine, IL USA on 2 July 2017

Ralph N. Ten Bruin

Ralph N. Ten Bruin, Global Director of Regulatory Affairs



Manufacturer:

Weber-Stephen Products LLC

1415 S. Roselle Road
Palatine, IL 60067-6266
USA

Importer:

Weber-Stephen Products (EMEA) GmbH

Leipziger Straße 124
10117 Berlin
Tel: (+49) 307554184-0

Customer Service Contacts:

Weber-Stephen France SAS

C.S. 80322 - 95617,
Cergy Pontoise Cedex, FRANCE
TÉL: (+33) 810 19 32 37
service.consommateurs@weberstephen.com
FR, ES, PT, IT, BE, LU, NL

Weber-Stephen Deutschland GmbH

Rheinstrasse 194, 55218
Ingelheim, DEUTSCHLAND
TEL: (+49) 6132 8999 0
info-de@weberstephen.com
DE, AT, CH, HU, CZ, SK, RO, RU, HR, BG,
GR, SI, UA, CY, AE, KW, QA, BH, SA, EG

Weber-Stephen Nordic ApS

Bøgildsmindevej 23, DK-9400,
Nørresundby, DANMARK
TEL: (+45) 99 36 30 10
info@weberstephen.dk
DK, SE, FI, NO, LV, EE, LT

Weber-Stephen Polska Sp. z o.o.

Ul. Minerska 29 lok.1, 04-506
Warszawa, POLSKA
TEL. (+48) 22 392 04 69
info-pl@weberstephen.com
PL

Weber-Stephen Products (UK) Ltd

10th Floor - Metro Building, 1 Butterwick,
Hammersmith, London W6 8DL, UK
TEL: +44 (0) 203 630 1500
customerserviceuk@weberstephen.com
GB, IE

Weber Stephen Turkey Ev ve Bahçe

Malzemeleri Ticaret Ltd. Şti
İstoç Toptancılar Çarşısı C Blok 4. Kat No: 31
34219 Mahmutbey/Güneşli / İstanbul
Tel: +90 212 659 64 80 Pbx
Fax: +90 212 659 64 83
TR

The Bluetooth® word mark and logos are registered trademarks owned by Bluetooth SIG, Inc. and any use of such marks by Weber-Stephen Products LLC is under licence. Other trademarks and trade names are those of their respective owners.

