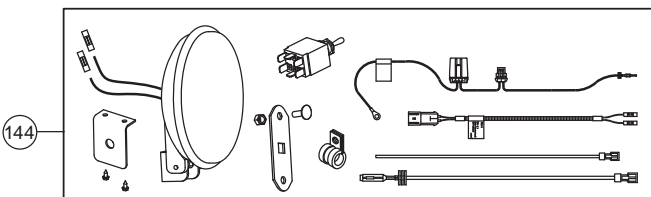
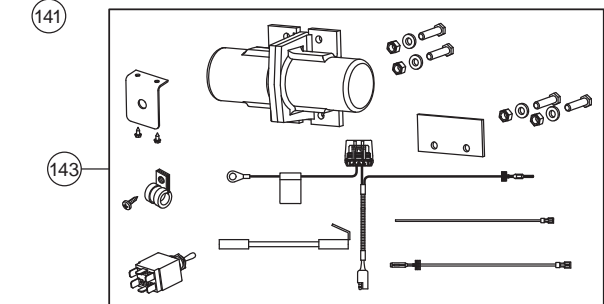
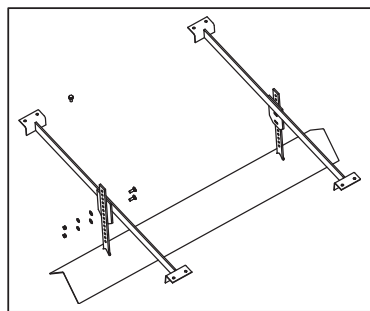
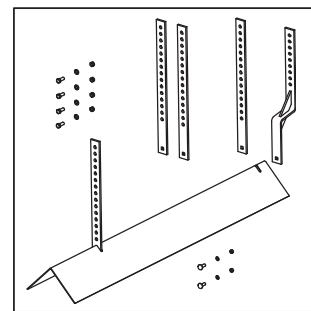
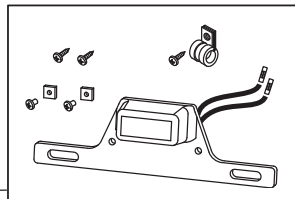


Tornado

SERVICE PARTS

For more information, see complete parts lists at www.westernplows.com: no. 96110 (1.25 cu yd Tornado™ Hopper Spreader 96000) and no. 94205 (1.5, 1.8 & 2.5 cu yd Tornado Hopper Spreader 78000/78003/78006).

Tornado Hopper Spreader Accessories



Item	Part	Description	Item	Part	Description
140	78197	License Plate Light Kit – 1.5, 1.8 & 2.5 cu yd	143	78195	Vibrator Kit – 1.5, 1.8 & 2.5 cu yd hoppers
141	78150	Inverted Vee Kit – 1.5 cu yd hopper	144	78198	Work Light Kit – 1.5, 1.8 & 2.5 cu yd hoppers
142	78120	Inverted Vee Kit – 1.8 & 2.5 cu yd hoppers	ns	96042	Top Screen Fastener Repair Kit – 1.25 cu yd hopper
143	95970	Inverted Vee Kit – 1.25 cu yd hopper			

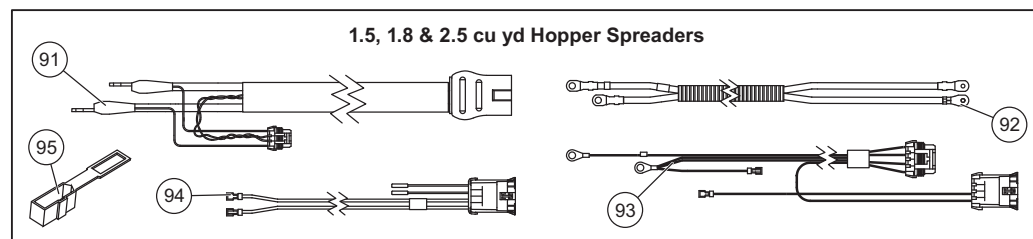
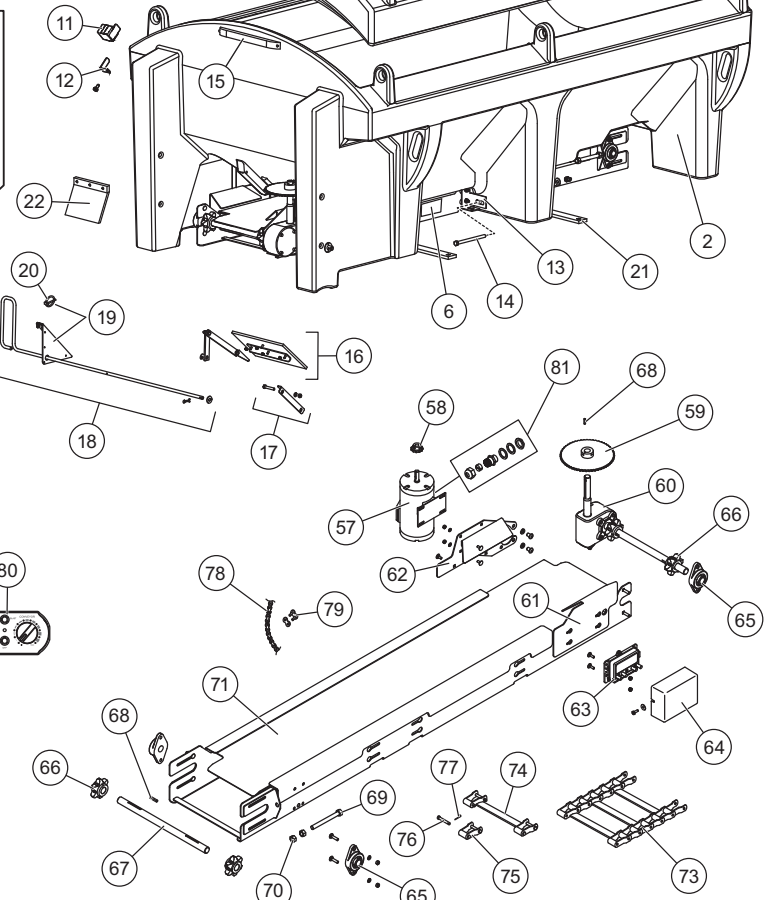
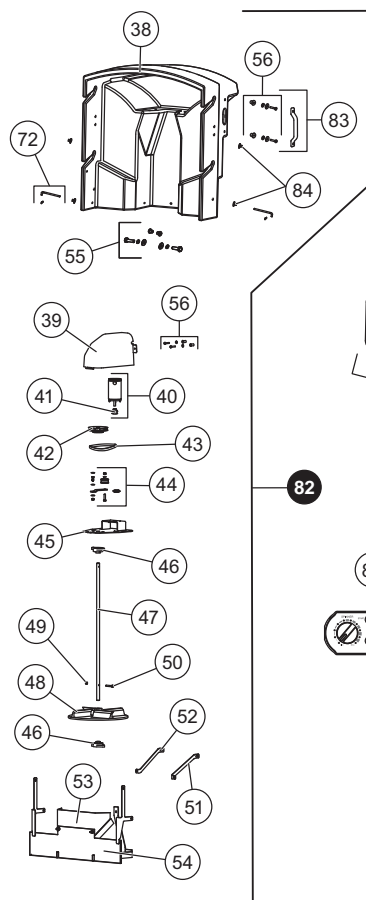
Western Products
www.westernplows.com
 P.O. Box 245038
 Milwaukee, WI 53224-9538



Copyright © 2014 Douglas Dynamics, LLC. All rights reserved. This material may not be reproduced or copied, in whole or in part, in any printed, mechanical, electronic, film or other distribution and storage media, without the written consent of Western Products. Authorization to photocopy items for internal or personal use by Western Products outlets or spreader owner is granted.

Western Products reserves the right under its product improvement policy to change construction or design details and furnish equipment when so altered without reference to illustrations or specifications used. Western Products or the vehicle manufacturer may require or recommend optional equipment for spreaders. Do not exceed vehicle ratings with a spreader. Western Products offers a limited warranty for all spreaders and accessories. See separately printed page for this important information. The following are registered (®) or unregistered (™) trademarks of Douglas Dynamics, LLC: Tornado™, WESTERN®.

1.5, 1.8 or 2.5 cu yd Tornado Hopper Spreader

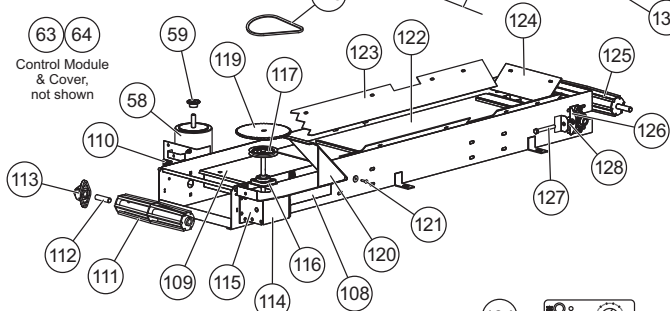
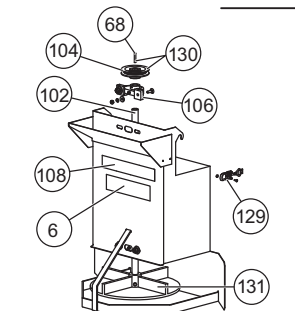
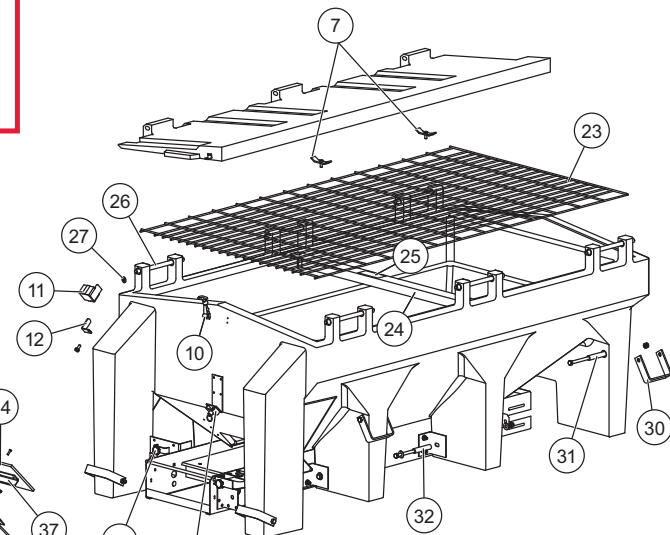
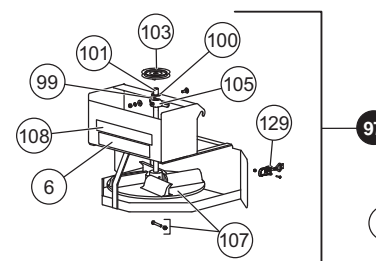


Item	Part	Description	Item	Part	Description	Item	Part	Description
1	78018	Poly Hopper Lid 7' (DS)	10	65224	Strap, Rubber Hold-Down Assembly	24	96380-1	Top Screen Brace with Labels
2	78019	Poly Hopper Lid 8' (DS)	11	61246	Cable Boot	25	67272	Label – Information (Caution)
ns	78020	Poly Hopper Lid 7' (PS)	12	8289	Boot Bracket	26	95817	Hinge Pin
3	78021	Poly Hopper Lid 8' (PS)	13	78119	Hopper Mounting Bracket (PS)	27	95818	Hinge Pin Retainer
4	78009	Poly Hopper Body 7'	ns	78133	Hopper Mounting Bracket (DS)	28	95897	Feed Gate Latch
5	78012	Poly Hopper Body 8'	14	78203	1/2-13 x 7-1/2 Hex Cap Screw SS	29	67158	1/4-20 x 1 Thumb Screw SS
6	78226	Poly Hopper 8' Collar	15	78048	CHMSL Kit (incl. fasteners)	30	95848	Handle
ns	78242	Poly Hopper Collar Hardware Kit	16	78118	Feed Gate Assembly Kit (incl. subassembly)	31	95812	5" Sleeve
7	78115	Top Screen, 7' (Painted)	17	78083	Feed Gate Guide w/ Fasteners Kit	32	95830	4" Sleeve
8	78116	Top Screen, 8' (Painted)	18	78094	Feed Gate Handle Kit	33	65361	Center High Mounted Stoplight (CHMSL)
9	78279	Top Screen Support, Adjustable w/Label (67272)	19	78098	Feed Gate Detent Bracket (incl. actuator assy)	34	95772	Poly Feed Gate
6	68584	Label – Warning/Caution, Spreaders	20	93042K	3/16 Linchpin	35	95773	Feed Gate Guide
7	96038	Wing Bolt	21	78109	Mounting Bar (incl. fasteners)	36	95899	Feed Gate Handle
8	93010	7/16 Linchpin	22	78177	Sprocket Shield Kit	37	95878	Feed Gate Stiffener
9	78097	Washer 2.5 OD x 1.53 ID SS	23	95846-2	Top Screen – 1.25 cu yd hopper			

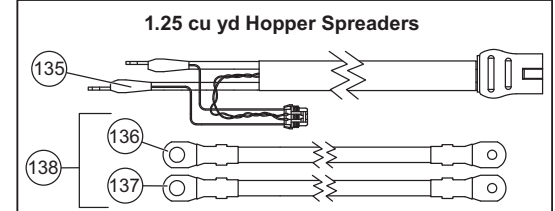
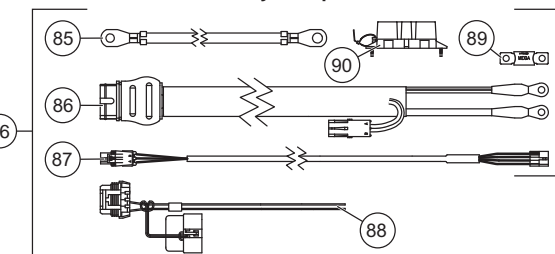
ns = not shown

SS = Stainless Steel

1.25 cu yd Tornado Hopper Spreader



Vehicle-Only Components Kits



DRIVE COMPONENTS

Item	Part	Description	Item	Part	Description	Item	Part	Description
38	78022	Chute Cover	71	78192	Sill 7'	106	65636	Pillow Block Bearing, 1 Bore
ns	78287	Chute Motor Cover	72	78193	Sill 8'	107	94511	Poly Spinner Kit
40	78300	Motor 12V DC 1/3 hp (incl. item 43)	73	78076	Chute Attachment Pin Bag (pkg of 2)	108	68737	Reflective Strip, Red/White
41	78125*	Chute Motor Mounting Plate Kit	74	94898	Pin Chain (99 links)	109	95769	Poly Floor
42	78066	40-Tooth Cogged Belt Pulley	75	68492	Pin Chain (108 links)	110	95730	Motor Brace
43	78285	Gear Belt	76	68475	Conveyor Repair Bar w/Pins and Cotter	111	68605	Conveyor Roller, Drive
44	78297	Chute Motor Base Plate	77	68475	Conveyor Repair Link w/Pins and Cotter	112	65753	Stub Shaft, Conveyor Roller
45	78126*	Chute Motor Base Plate Kit	78	41743	Conveyor Chain Pin w/Cotter	113	68619	Flange Bearing 3/4 Bore
46	96167	Pillow Block Bearing 3/4 Bore	79	91897	3/32 x 1/2 Cotter Pin	114	95756	Gear Box 20:1
47	78283	Spinner Shaft	80	78075	#40 Chain with Master Link	115	95909	Gear Box Mounting Bracket
48	91430	5/16-18 Hex Nut SS	81	95894	#40 Chain Master Link	116	68662	Flange Bearing 4-Bolt, 5/8 Bore
49	94495	5/16-18 x 2-1/4 Hex Cap Screw SS	82	78229-1	Full Chute Assembly	117	65765	Pulley, 4-1/2 x 5/8 Bore
50	78301	Brace, DS	83	78247	Chute Handle Kit	118	94691	V-Belt
51	78302	Brace, PS	84	78262	Chute Attachment Sleeve Kit	119	95776	55-Tooth Sprocket #40
52	78294	Deflector	85	22511K	22" Battery Cable	120	95814	Gear Box Cover
53	78130	Spinner Guard	86	29217	Vehicle Power Cable	121	68067	1/4-20 x 1 Hex Cap Screw SS
54	78268	3/8 Well Nut Fastener Kit	87	29221	Vehicle-Side Control Harness	122	95757-1	Cleated Conveyor Belt
55	78270	1/4 Well Nut Fastener Kit	88	78199	CHMSL Harness Kit – 1.5, 1.8, 2.5 cu yd hoppers	123	95770-1	Side Belt Guard
56	95755-2	Motor 12V DC, 1/2 hp	89	95836	Fuse, 100 Amp	124	95771	Front Belt Guard
57	95777	Sprocket, #40 x 11T x 5/8	90	95837	Fuse Holder	125	95963	Idler Roller Assembly, Conveyor
58	78057	Sprocket, #40 x 55T x 1	91	48808	Spreader Power Cable	126	95762	Bearing Plate
59	95567	Gear Case 20:1	92	78103	Wiring – Module to Conveyor Motor	127	68620	1/2-13 x 4 Take-Up Bolt SS
60	78131	Chain Guard, Rear (DS)	93	78104	Wiring – Module to Spinner Connector & CHMSL	128	67295	1/2-13 Hex Nut SS
61	78117	Chain Guard, Rear (PS)	94	78105	Wiring – Spinner Connector to Spinner Motor	129	95819	Draw Latch
62	78178-1	Control Module – Dual Motor	95	61548K	Plug Cover Kit	130	95943	Pulley Kit, 4-1/2 x 1 Bore
63	78108	Module Cover	96	78204	Vehicle-Only Components Kit – 1.5, 1.8 & 2.5 cu yd hoppers (Cab Control not included.)	131	94513	Spinner, Poly Service Kit 14.5"
64	94536	1-1/8 Bearing, 2-Bolt Flange				132	95778	Drive Chain #40
65	65909	Drive Sprocket, 6-Tooth				133	95929	Conveyor Belt Lacing Pin
66	94351	Idler Shaft				134	29247	Cab Control – 1.25 cu yd hopper
67	65174	1/4 x 1-1/2 Machine Key				135	28585	Spreader Power Cable
68	65609	5/8-11 x 6 Take-Up Bolt SS				136	29249-1	Cable Assembly, Black
69	91435	5/8-11 Hex Nut				137	29251-1	Cable Assembly, Red
						138	29253	Motor Cable Kit
						139	95744	Vehicle-Only Components Kit – 1.25 cu yd hopper (Cab Control not included.)
						ns	68794	CHMSL Harness Kit – 1.25 cu yd hopper
						105	65776	Pillow Block Bearing 3/4 Bore
						ns	95938	Label – Information (Caution, Module)

ns = not shown

SS = Stainless Steel

* Used in chute assemblies without idler pulley (spreaders with serial numbers beginning 090527 to 120430). See parts list no. 94190.