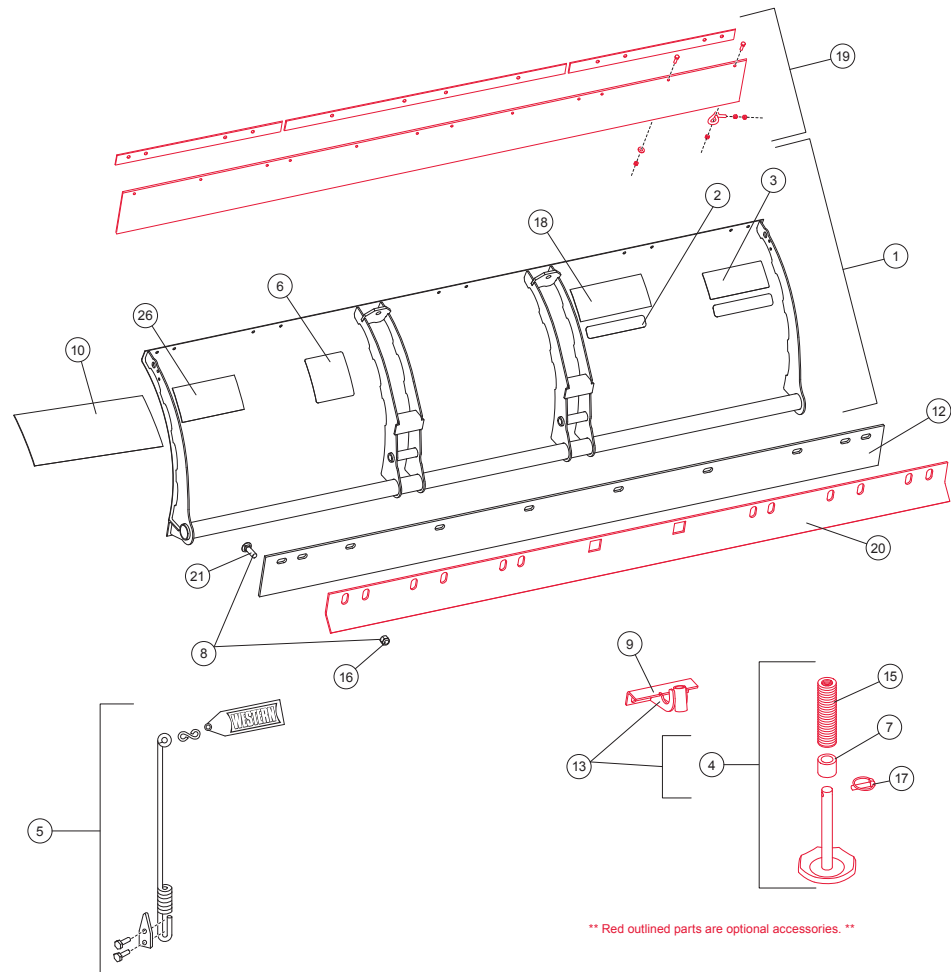


BLADE COMPONENTS

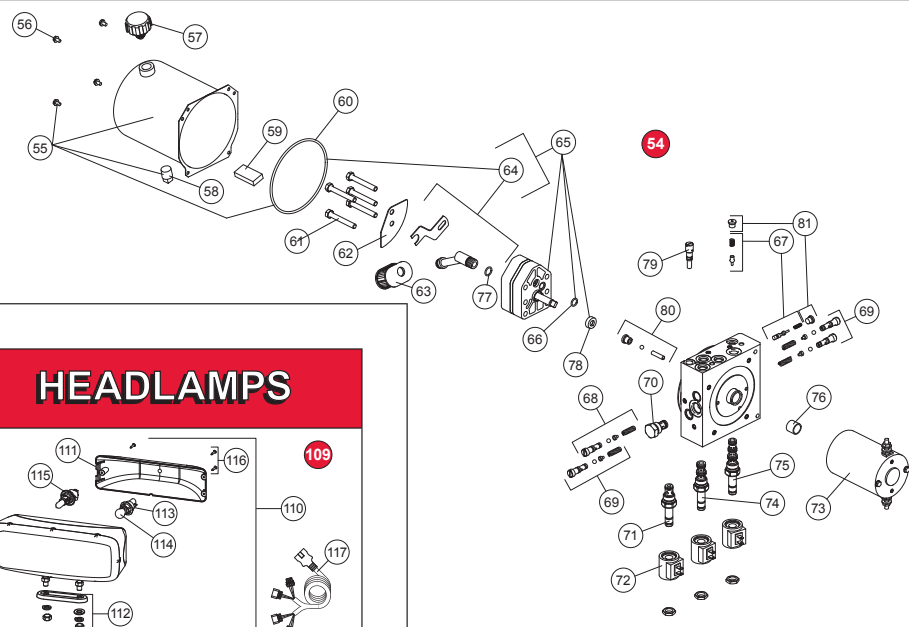


** Red outlined parts are optional accessories. **

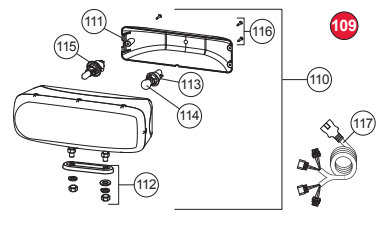


INTERACTIVE PARTS POSTER AVAILABLE AT WWW.WESTERNPLOWS.COM

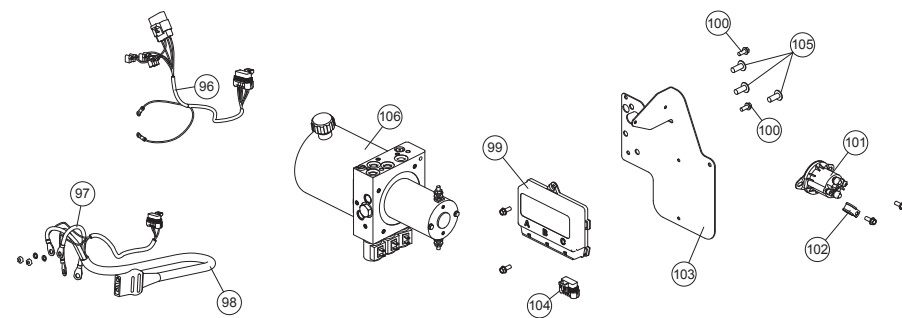
HYDRAULIC UNIT



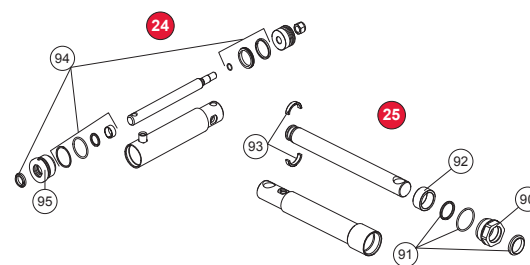
HEADLAMPS



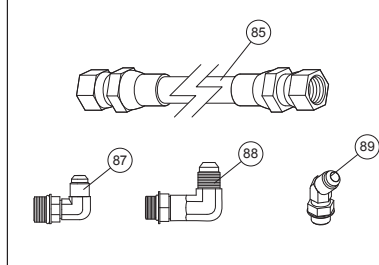
ELECTRICAL COMPONENTS



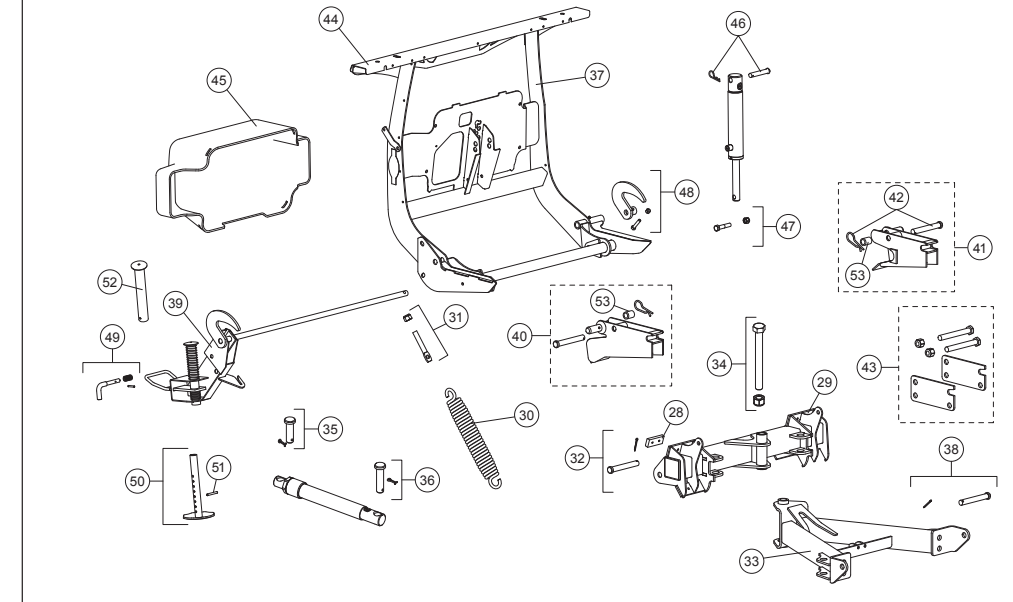
RAM COMPONENTS



HOSES & FITTINGS



LIFT FRAME & A-FRAME ASSEMBLY



PARTS LIST

Item	Part	Description	Item	Part	Description
28	63076	Kit, Blumper	87	56615-1	Elbow 90° -6M O-Ring /MJIC
29	69515	Quadrant Assembly, HTS	88	64212-1	Elbow, Long 90° -6M O-Ring/MJIC
30	23039	Trip Spring	89	26694	Elbow 45° -6M O-Ring/MJIC
31	66421	5/8-11 x 4 Eyebolt Kit	ns	56823	Hose Wrap
32	69659	3/4 x 6 Clevis Pin Kit	90	56555	Gland Nut - PolyPak Seal
33	69523	A-Frame	91	56556	PolyPak Seal Kit 1-1/2"
34	69494	Pivot Bolt Kit	92	56537	Spacer
35	63973	Ram Pin Kit	93	64650	Split Bearing 1-1/2"
36	69496	Ram Pin Kit	94	48520	Seal Kit 2 x 6-3/4 DA
37	69497	Lift Frame Kit	95	48451	Gland 1"
38	93062K	Clevis Pin Kit	96	28581-1	Harness Plow Control 3 Solenoid
39	69498	Stand Assembly	97	29071	Cable Assembly 6'
40	69611	Receiver Kit - DS	98	42015	Plow Battery Cable
41	69610	Receiver Kit - PS	99	44354-3	Plow Module
42	69663	Receiver Retaining Pin Kit	100	44355	1/4-20 x 5/8 Hex Washer Head Thread Rolling Screw
43	69620	Height Adjustment Plates Kit (per side)	101	56131K-2	Motor Relay Kit
44	69509	Light Bar	102	65340	Clamp Loop #10
45	69512	Hydraulic Cover	103	48522	Hydraulic Plate
46	50653	Lift Ram Pin Kit (Base)	104	48444	Connector Assembly 10-Position
47	69514	Lift Ram Pin Kit (Rod)	105	98043	3/8-16 x 1 Button Cap Screw
48	69508	Hook w/Hardware - PS	106	48542	Hydraulic Unit
49	67844	Stand Lock Pin Kit	ns	42014	Cable Assembly, Vehicle
50	67847	Stand Shoe Kit	ns	28587	Control Harness, Vehicle
51	67635	1/4 x 2 Roll Pin BP	ns	61548K	Plug Cover Kit
52	67682	Stand Plunger	109	28800-1	NIGHTHAWK™ Headlamp Kit (Pair)
53	63212	Spacer	ns	28801-1	Headlamp Service Kit DS
54	69630	Hydraulic Unit	110	28802-1	Headlamp Service Kit PS
55	48538	Reservoir Kit	111	28803-1	Rear Cover Kit (fits 2 or 3 screw)
56	66607	10-24 x 5/16 Machine Screw Slotted Hex Washer Head	112	28804	Mounting Hardware Kit
57	21727-2K	Breather 3/8 NPT Kit	113	28805	Park/Turn Socket Service Kit
58	92079	Plug 3/8 NPTF	114		Park/Turn Bulb (Trade No. 4157NAK)
59	73897	Magnet	115	28806	H13 Headlamp Bulb Service Kit
60	66519	O-Ring 2 - 250	116	28808-1	Cover Screws Service Kit (3 screws)
61	90073	5/16-18 x 2-1/4 Hex Cap Screw G5	117	28213W	Harness Service Kit
62	48464	Plate Baffle	118	96456	Control Body - Right
63	56789-3	Suction Filter	119	96457	Control Body - Left
64	66763-1	Inlet Fitting/Filter Kit	120	48512	Keypad
65	21501-1	Hydraulic Pump Kit	121	48513	PC Board & Keypad (4-Pin)
66	56274	O-Ring - 013	122	96464	Harness - 9-button (4-Pin)
67	49226K	Poppet Check Valve Kit	123	93173	8-18 x 3/4 Tapping Screw
68	49138K-3	Relief Valve Kit (2 Sets)	124	93174	8-18 x 1-1/4 Tapping Screw
69	27792-1	Relief Valve Repair Kit	125	64312	Parts Bag - Control Bracket
70	44334-1	Check Valve CV08-20	126	56436	Control Bracket
71	49227K-2	Valve, 2-Way w/Nut	127	91230	6 Spring Lock Washer
72	49230K-2	Coil w/Spade Terminals	128	80135	6-32 x 1 Tapping Screw
73	48543	Motor Assembly 3"	129	48514	Cover Assy w/Actuator Spring & Label
74	66608-1	Valve, 3-Way w/Nut	130	96353	PC Board (4-Pin)
75	49229K-1	Valve, 4-Way w/Nut	131	96366	Bottom Housing
76	56364*	Bearing, Sleeve	132	96352	Harness (4-Pin)
77	56416	O-Ring - 014	133	96364	4 x 3/8 Tapping Screw
78	66515**	Pump Shaft Seal	ns	96363	Dash Bracket Parts Bag
79	48517	Quill	134	7716	Control Bracket
80	48518	Check Valve Assembly	135	90659	12-14 x 3/4 Tapping Screw
81	92960	3/8-24 O-Ring Boss Plug	136	90461	1/4-20 x 3/4 Hex Cap Screw G5
ns	56657-3	O-Ring & Back-Up Ring Kit	137	91411	1/4-20 Hex Nut G5
ns	49258-2	Seal Kit, 2-Way Valve	138	91201	1/4 Spring Lock Washer
ns	49259-2	Seal Kit, 3-Way and 4-Way Valve	139	93154K	8-18 x 5/8 Tapping Screw
ns	48519	1/4 x 32 Hose w/FJIC Ends	140	49305K	PRO-GRIP Mounting Kit
85	56830	1/4 x 22 Hose w/FJIC Ends			

* Use 64589 tool to install (includes 56364).
** Use 28856 tool to install (includes 66515).



Western Products
PO Box 245038 • Milwaukee, WI 53224-9538
Use only genuine WESTERN® replacement parts.

Copyright © 2009 Douglas Dynamics, L.L.C. All rights reserved. This material may not be reproduced or copied, in whole or in part, in any printed, mechanical, electronic, film or other distribution and storage media, without the written consent of Western Products. Authorization to photocopy items for internal or personal use by Western Products outlets or snowplow owner is granted.
Western Products reserves the right under its product improvement policy to change construction or design details and furnish equipment when so altered without reference to illustrations or specifications used. Western Products or the vehicle manufacturer may require or recommend optional equipment for snow removal. Do not exceed vehicle ratings with a snowplow. Western Products offers a limited warranty for all snowplows and accessories. See separately printed page for this important information. The following are registered (®) or unregistered (™) trademarks of Douglas Dynamics, L.L.C.: HTS™, NIGHTHAWK™, UltraMount®, ULTRAFINISH™, WESTERN®.

Printed in U.S.A.

PARTS LIST

Item	Part	Description	Item	Part	Description
1	69490	7-1/2" Blade	13	69570	Shoe Kit
2	28404	Label - Identity, ULTRAFINISH™	15	91192	Round Flat Washer - Special
3	44451	Label - Identity WESTERN® 8.31	16	91337	5/8-11 Hex Locknut GB Topping
4	49067	Disc Shoe Assembly	17	93010K	7/16 x 1-3/4 Linchpin
5	59700	Blade Guide & Flag Assembly Kit, 24"	18	94859	Label - Identity, HTS
6	59900	Label - Information (WARNING)	19	62123-1	Rubber Deflector Kit, 7-1/2"
7	60045	Spacer	20	64758	Back Drag Edge, 7-1/2"
8	69425	Cutting Edge Bolt Bag	21	5572	5/8-11 x 2 Carriage Bolt G5
9	69455	Shoe Bracket	22	96900	CabCommand Hand-Held Control Kit
10	69489	Label - Identity WESTERN Moldboard	23	96800	Joystick Control Kit
11	69505	5/16 x 6" x 90° Cutting Edge (w/o Hardware)	24	69513	Ram Assembly 2 x 6-3/4 DA
12	69499	5/16 Cutting Edge Assy (w/Hardware)	25	69495	Ram Assembly 1-1/2 x 8
ns	28594	3/8 Cutting Edge Assy (w/Hardware)	26	69661	Label - Attach/Detach Instructions
ns	64775	1/2 Cutting Edge Assy (w/Hardware)			

CONTROLS

