

Electric Stacker(Rider Type)

15ESR



■ photo may include optional equipment.

Standard Configurations

15ESR

- Lifting Capacity : 1,500kg
- AC Drive Motor 1.5kW
- Lift motor 3.2kW
- Curtis controller
- Drive wheel : ϕ 250x80mm
- Double Fork wheel : ϕ 84x80mm
- Hourmeter, battery discharge indicator (BDI) & Limiter with lift cut off
- Duplex 3.0m MFH Mast with free lift
- Fork Width x Length : 570mm x 1,150mm
- Turtle mode switch
- German Frei tiller with convenient control buttons
- Proportional Lifting
- Automatic speed reduction (lifting over 1.8m)
- Belly switch
- EPS (Electric Power Steering)
- Side Battery Removal

Advantages

SAFETY AND PRODUCTIVITY

- Advanced AC control system eliminates directional contactors, which brings minimal maintenance requirements.
- Mast lowering damping cushion for low noise operation.
- Multi-function display with BDI and hour meter etc.
- Side way battery replacement.
- Auto deceleration function.
- Emergency switch.
- Turtle mode switch.
- Proportional Travel speed control.

OPTIMUM STRUCTURAL DESIGN

- Low barycenter ensures the stable operation.
- The motor structure is water-proof and dust-proof(IP 44).
- Mast and frame dividable and exchangeable.
- Full free lifting. (3M lift height truck can enter into a 2M door)

SERVICEABILITY

- Central positional electronic component simplifies debugging and maintaining.
- CANbus technology reduces wiring complexity and increase reliability.
- User of non-contact type switch in the mast

Tiller Head

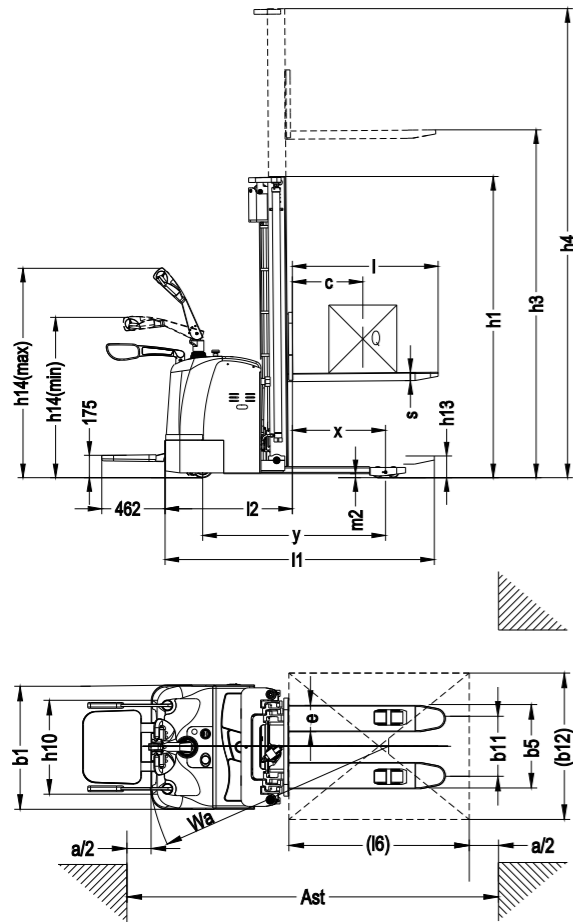


Germany Frei Tiller with convenient control buttons (standard)



Germany Frei Tiller (option)

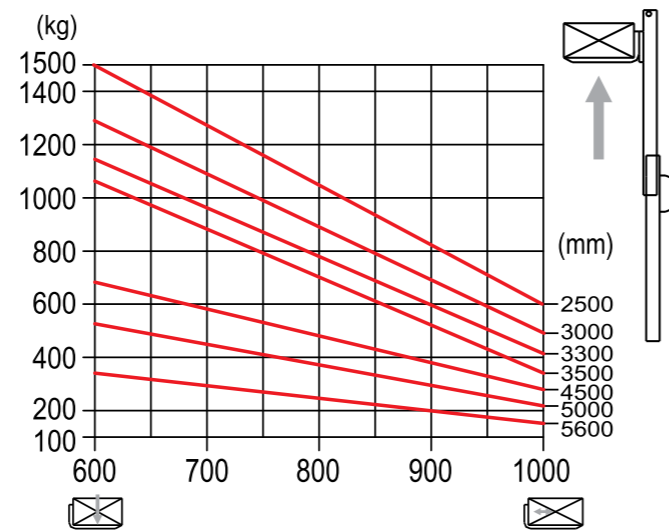
Dimension



Option

- 6.7km/h of Drive Speed
- Battery : 24V/300Ah
- Integrated Charger (24V/40A)
- Separate Charger (24V/40A)
- Germany Frei Tiller (Normal)
- Germal Feri Tiller with big button (including initial lifting button)
- Cold storage Specifications -18°C
- Key pad ignition
- Load backrest 1220mm
- Battery trolley
- Initial lift
- Fork length(mm) 800, 900, 1000, 1150, 1220
- Without EPS
- lifting sensor switch to limit the height(1.8m)

Lifting capacity



Mast Specifications

Mast Ref.	Lift Height		Overall Height		Service Weight (kg)	Residual Capacity (kg)
	Max. (mm) h3	Free lift (mm) -	Lowered (mm) h1	Extended (mm) h4		
Duplex mast without free lift (2.5m MFH)	2.5	N/A	1735	2955	1200	1500
Duplex mast without free lift (3.0m MFH)	3.0	N/A	1985	3455	1220	1300
Duplex mast without free lift (3.3m MFH)	3.3	N/A	2135	3755	1240	1150
Duplex mast without free lift (3.5m MFH)	3.5	N/A	2235	3955	1250	1100
Duplex mast with free lift (2.5m MFH)	2.5	1300	1735	2955	1240	1500
Duplex mast with free lift (3.0m MFH) *	3.0	1550	1985	3455	1265	1300
Duplex mast with free lift (3.3m MFH)	3.3	1700	2135	3755	1280	1150
Duplex mast with free lift (3.5m MFH)	3.5	1800	2235	3955	1290	1100
Triplex mast with free lift (4.3m MFG)	4.3	1500	1990	4870	1370	600
Triflex mast with free lift (4.5m MFH)	4.5	1570	2050	5070	1340	700
Triflex mast with free lift (5.0m MFH)	5.0	1740	2210	5550	1360	500
Triflex mast with free lift (5.6m MFH)	5.6	1940	2410	6150	1380	350

* : Standard

Specifications (according to VDI 2198)

Characteristics			
1.1	Manufacturer(abbreviation)		Hyundai
1.2	Model		15ESR
1.3	Drive type		electric
1.4	Operator type		standing
1.5	Load capacity/rated load	Q	kg 1500
1.6	Load center distance	c	mm 600
1.8	Load distance	x	mm 672
1.9	Wheelbase	y	mm 1378
Weight			
2.1	Service weight(with battery)	kg	See mast Specifications
2.2	Axle load, front/rear, laden	kg	1470/1310
2.3	Axle load, front/rear, unladen	kg	900/380
Wheels/Chassis			
3.1	Tyres: solid rubber, superelastic, pneumatic, polyurethane		polyurethane
3.2	Tyre size, front		φ 250×80
3.3	Tyre size, rear		φ 80×84
3.4	Additional wheel(dimension)		φ 150×60
3.5	Wheels number, front/rear (x = driven wheels)		1x+2/4
3.6	Tread, front	b10	mm 580
3.7	Tread, rear	b11	mm 404/530
Dimension			
4.2	Height of mast, lowered	h1	mm See mast Specifications
4.3	Free lift height(optional)		See mast Specifications
4.4	Lift height	h3	mm See mast Specifications
4.5	Max. height of mast, extended	h4	mm See mast Specifications
4.9	Min. /Max. height of operation handle, in driving position	h14	mm 1150/1450
4.15	Height, lowered	h13	mm 90
4.19	Overall length	l1	mm 2100
4.20	Length to fork face	l2	mm 950
4.21	Overall width of truck body	b1	mm 850
4.22	Fork dimension	s/e/l	mm 60/180/1220
4.25	Overall width of fork	b5	mm 570
4.32	Wheelbase ground distance	m2	mm 31
4.33	Aisle width, with pallet 1000x1200 crosswise	Ast	mm 2535
4.34	Aisle width, with pallet 800x1200 lengthwise	Ast	mm 2515
4.35	Turning radius	Wa	mm 1655
Performance Data			
5.1	Traveling speed, laden/unladen	km/h	6.5/6.7
5.2	Lifting speed, laden/unladen	m/s	0.15/0.28
5.3	Lowering speed, laden/unladen	m/s	0.41/0.27
5.8	Max. gradeability, laden/unladen	%	8/15
5.10	Traveling brake		electromagnetic brake
Motor			
6.1	Driving motor power	kW	1.5
6.2	Lifting motor power	kW	3
6.4	Battery voltage/rated capacity	V/Ah	24/300
6.5	Battery weight	kg	300