



* Some of the photos may include optional equipment.

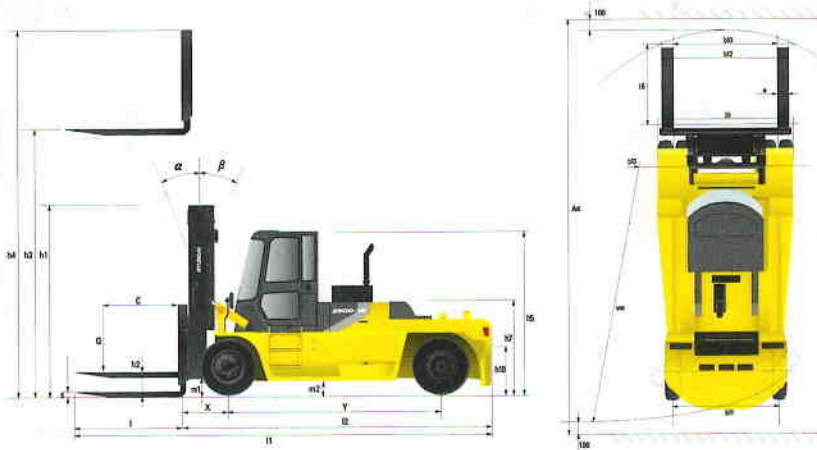
HYUNDAI DIESEL FORKLIFT TRUCKS **Applied Tier 3 Engine**

250D-7E

 **HYUNDAI**

We build a better future

Dimension

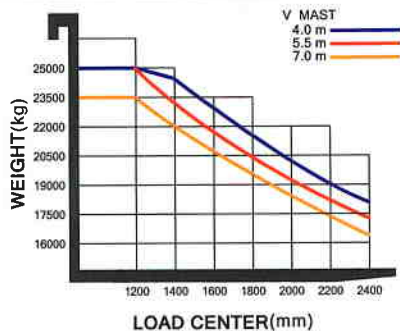


Mast Specification

Mast Type	Maximum Fork Height (mm)	Overall Height Lowerd (mm)	Tilt Angle (deg)		Load Capacity (1,200mm LC) (kg)	Truck Weight Unloaded (kg)	
			Fwd	Bwd			
2-Stage Limited Free Lift	V350	3,476	3,600	12	10	25,000	36,633
	* V400	4,030	3,877	12	10	25,000	37,021
	V450	4,530	4,127	12	10	25,000	37,271
	V500	5,030	4,377	12	10	25,000	37,526
	V550	5,530	4,627	12	10	24,950	37,788
	V600	6,030	4,877	12	10	24,950	38,379
	V650	6,530	5,127	12	10	24,450	38,686
V700	7,030	5,377	12	10	23,550	38,968	

* STANDARD

Load Capacity



Optional Items

- **FORK (L x W x T)(mm)**
2,450 x 250 x 110(STD) / 2,700 x 250 x 110 / 3,150 x 250 x 110 / 3,650 x 250 x 110 / 3,700 x 250 x 110
- **MCV : 6 - SPOOL**
- **INTEGRATED FORK POSITIONER(INDEPENDENT) + SIDE SHIFT(STD)**
- **AIR COMPRESSOR**
- **TERMINAL WEST FORK CARRIAGE**
- **HANDS FREE**
- **BEACON LAMP**

Specification

Identification

1.1	Manufacturer	Hyundai
1.2	Manufacturer's type designation	250D-7E
1.3	Drive: electric (battery or mains),diesel,petrol,fuel gas>manual	DIESEL
1.4	Type of operation:hand,pedestrian,standing,seated,order-picker	seated
1.5	Load capacity / rated load	Q (t) 25.0
1.6	Load center distance	c (mm) 1,200
1.8	Load distance, center of drive axle to fork	x(mm) 1,112
1.9	Wheelbase	y(mm) 4,300

Weights

2.1	Service weight	kg	37,021
2.2	Axle loading, loaded front/rear	kg	57,277 / 41,744
2.3	Axle loading, unloaded front/rear	kg	18,647 / 18,374

Wheels, Chassis

3.1	Tires:solid rubber, superplastic, pneumatic, polyurethane	Pneumatic	
3.2	Tires size, front(width x Φ)	14.00 - 24 - 28PR	
3.3	Tires size, rear(width x Φ)	14.00 - 24 - 28PR	
3.5	Wheels, number front x rear (x=driven wheels)	4 x 2	
3.6	Track width, front	b10 (mm)	2,212
3.7	Track width, rear	b11 (mm)	2,140

Basic Dimensions

4.1	Mast / fork carriage tilt forward / backward(a / β)	degrees	12 / 10
4.2	Lowered mast height	h1 (mm)	3,877
4.3	Free lift	h2 (mm)	0
4.4	Lift height	h3 (mm)	4,030
4.5	Extended mast height	h4 (mm)	5,837
4.7	Overhead load guard (cab) height	h5 (mm)	3,223
4.8	Seat height / standing height	h7 (mm)	2,150
4.12	Coupling height	h10 (mm)	528
4.19	Overall length	l1 (mm)	8,812
4.20	Length to face of forks	l2 (mm)	6,382
4.21	Overall width	b1 (mm)	3,050
4.22	Fork dimensions	l / e / s (mm)	2,450 x 250 x 110
4.24	Fork-carriage width	b12 (mm)	2,600
4.31	Ground clearance, loaded, under mast	m1(mm)	300
4.32	Ground clearance, centre of wheelbase	m2(mm)	250
4.33	Aisle width for pallets 1000x1200 crossways	Ast(mm)	9,569
4.34	Aisle width for pallets 800x1200 lengthways	Asl(mm)	9,569
4.35	Turning radius	Wa(mm)	5,807
4.36	Smallest pivot point distance	b13(mm)	1,981

Performance Data

5.1	Travel speed, Unloaded	km/h	31.7
5.2	Lift speed, Loaded/Unloaded	mm/s	250 / 280
5.3	Lowering speed, Loaded/Unloaded	mm/s	400 / 300
5.5	Drawbar pull, Loaded	KN	21.5
5.7	Gradient performance, Loaded	%	33.8
5.10	Service brake		Wet, Hydraulic

Engine

6.1	Engine manufacturer / type	Cummins QSC	
6.2	Engine power acc. to ISO 1585	kW	194
6.3	Rated speed	1/min	2,200
6.4	No. of cylinder / cubic capacity	/cm ³	8,300
6.5	Fuel consumption acc. To VDI cycle	l / h	25

Other Details

8.1	Type of drive control	Power Shift	
8.2	Operating pressure for attachments(system/attach)	bar	240 / 160
8.3	Oil volume for attachments	Litter	270
8.4	Sound level at driver's ear according to DIN 12 053	db(A)	77