

Redemption Accomplished And Applied (Questions)

Chapter 1

CrossView Church

- 1) What does Murray mean when he says that the love of God from which the atonement springs is not a distinctionless love?
 - 2) Why is it not necessary that the Love of God be given to hell-deserving sinners?
 - 3) Have you ever thought about why there is the necessity of atonement? Has anyone ever asked you, "Why did Jesus have to die on a cross?"
 - 4) What is the difference between the "hypothetical necessity" of the atonement, and the "consequent absolute necessity" of the atonement?
 - 5) What are the reasons Murray cites as to why the atonement must be absolutely necessary for salvation? Was there one you felt particularly moved by?
 - 6) What is Murray arguing in point 3?
 - 7) How is the Cross of Christ the supreme demonstration of the love of God?
 - 8) How is the Cross the vindictory Justice of God?
 - 9) Read the last sentence of chapter 1. Why is this so?
-

Redemption Accomplished And Applied Questions
Chapter 2
CrossView Church

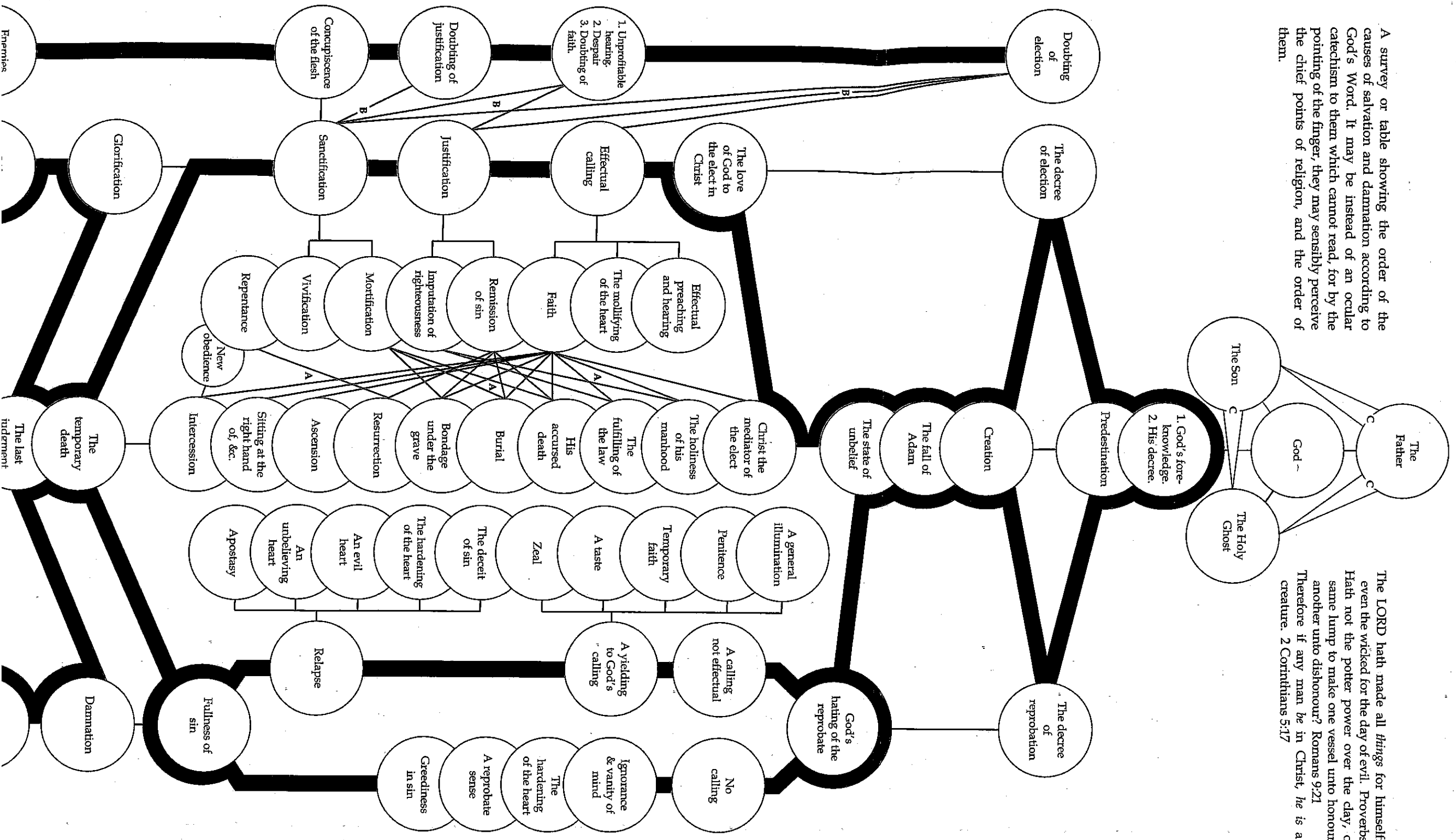
- 1) Why is the obedience of Christ crucial in our understanding of the nature of the Atonement?
- 2) What is the difference between the active and passive obedience of Christ? Why are both of these so important?
- 3) What does it mean that the law of God has both penal sanctions and positive demands? (page 17-18)
- 4) What is expiation? What kind of sacrifice does Christ's most identify with in the the OT. Why?
- 5) What does Propitiation mean? Why is this a concept that many find hard to grasp?
- 6) Read the last paragraph of page 27. Does this help you understand the nature of God's propitiation?
- 7) How does Christ's Atonement reconcile us to God? What does this reconciliation mean?
- 8) In what ways does the death of Christ "redeem" us?
- 9) Has this chapter increased your appreciation for the nature of Christ's atonement?

Redemption Accomplished And Applied
Part 2 Chapter 1-2
CrossView Church

- 1) What is the Ordo Salutis (or the Order of Salvation)? Why must there be an "order" to the salvation process?
- 2) (See William Perkins "Golden Chain" and discuss) What do you think of this chain? Is it too "logical"? Too much in a 'box'? Or do you believe it is accurate?
- 3) What is the difference between the "universal call" of the Gospel and the "effectual call" of the Gospel?
- 4) Read page 93, Who is the specific Agent of the Call?
- 5) What is the nature of the effectual call, and how is it different from the summons of, say, a human court?
- 6) Read page 98. Do you remember when you heard this summons?

A survey or table showing the order of the causes of salvation and damnation according to God's Word. It may be instead of an ocular catechism to them which cannot read, for by the pointing of the finger, they may sensibly perceive the chief points of religion, and the order of them.

The LORD hath made all things for himself: yea, even the wicked for the day of evil. Proverbs 16:4
 Hath not the potter power over the clay, of the same lump to make one vessel unto honour, and another unto dishonour? Romans 9:21
 Therefore if any man be in Christ, he is a new creature. 2 Corinthians 5:17



Redemption Accomplished And Applied
Part II Chapters 3-5
CrossView Church

Chap 3

- 1) Why cant the natural man come to God in his natural state?
- 2) Read the middle of page 100. What is Regeneration?
- 3) What does it mean to be born of water and the Spirit according to Murray?
- 4) Why is it so important to believe that we are passive in Regeneration?
- 5) Thus is faith the cause or the effect of Regeneration?
- 6) What are the immediate effects of Regeneration on the person who is Regenerated?

Chap 4

- 1) How does the universal offer of the Gospel give you confidence that Christ calls you to believe?
- 2) What are the 3 things that Murray says are the nature of faith?
- 3) What does Murray mean when he says that "faith is not something that merits the favor of God?"
- 4) What is the Westminster Shorter Catechism's definition of repentance? (Pg 119).
- 5) Is repentance only a one-time event?

Chap 5

- 1) Why is the main question for us not "How can man be just with God?" But rather, "How can sinful man become just with God?"
- 2) Who is it that justifies?
- 3) How is Justification different from being made righteous, or good, or holy, or upright? Why is this SO important? How did the "Romish" church twist this doctrine? (see page 125)
- 4) What does it mean that justification is "forensic"?
- 5) Why is it necessary that justification must be by grace alone?
- 6) What is the relationship between faith and justification?

Redemption Accomplished And Applied
Part II Chapter 6
CrossView Church

- 1) How has the culture twisted the idea of being the "Children of God"?
- 2) How is Adoption different from Justification and Regeneration?
- 3) What does Murray mean when he says that Adoption into God's family is a "legal act"?
- 4) How is our sonship different from Christ's Sonship?
- 5) If we say that God is our Father, who specifically (in the Trinity) is in view?
- 6) Does the doctrine of Adoption comfort you?

Redemption Accomplished And Applied Questions
Part II Chapter 7
CrossView Church

- 1) What does it mean that Sanctification is an aspect of the application of Redemption?
- 2) What is the relationship between Union with Christ and Sanctification?
- 3) How is sin in the life of the believer different than sin in the life of the unbeliever?
- 4) Read point 3 on page 154. Does this help you understand your own sinful tendencies?
- 5) Who is the Agent of our sanctification and how does He work?
- 6) Read the bottom quarter of page 157. What is the relation of God's work to our work in our sanctification?
- 7) What is the end goal and result of our Sanctification (pg 159).

Redemption Accomplished And Applied Questions
Part II Chapter 8
CrossView Church

- 1) What is the difference between Perseverance of the Saints and the doctrine called by some, "Once Saved Always Saved" or the "Security of the Believer"?
- 2) What are the grave dangers of a "temporary faith"?
- 3) Read the second half of page 163. How does this challenge widely held beliefs within the Church today?
- 4) Read the second half of page 164. Does this help you as you think through this doctrine?
- 5) Does it comfort you to know that if you believe in Christ he will preserve you till the end?
- 6) Read the last paragraph of page 167. Who is it that promises believers that they will not be lost?
- 7) How does your security in Christ affect your daily living?

Redemption Accomplished And Applied Questions
Part II Chapter 9
CrossView Church

- 1) Why is “Union with Christ” an essential part of salvation? What does this doctrine mean?”
- 2) Read the first paragraph of page 174. How is this a comfort to us?
- 3) Read the middle of page 175. How does this doctrine underlie every other aspect of redemption?
- 4) Read the second half of 178. Which of those illustrations are the most compelling to you?
- 5) What are some reasons that some Christians have difficulty communing with Christ?
- 6) How does this doctrine promote sanctification in our lives?
- 7) How is our Union with Christ also union with the Father and the Holy Spirit?

Redemption Accomplished And Applied Questions
Part 2 Chapter 10
CrossView Church

- 1) How is glorification the culmination of all phases of Redemption?
- 2) Does glorification happen at the moment of our deaths? Why or why not? When will we be glorified?
- 3) Will glorification happen at the same time for everyone?
- 4) What does it mean that not only believers, but creation itself will be glorified?
- 5) Why is the glorification of the body a very important doctrine in combating the heresy of Gnosticism?
- 6) Why should we be sure to make the Resurrection of the body our hope, rather than simply the immortality of the soul?
- 7) What are your opinions of this book?