

CHECKER MOTORS CORPORATION
Kalamazoo, Michigan 49007

SERVICE BULLETIN NO. K-11-73
June 15, 1973

MODEL 1973 EXHAUST SYSTEM CHANGES
Taxicab-Marathon-Aerobus
6 And 8 Cylinder Engines

Taxicab-Marathon-After Chassis No. 33976
Aerobus After Chassis No. 34639

All new model 1973 Checker Taxicabs, Marathons and Aerobuses, after above noted chassis numbers, will be equipped with a new muffler, a new exhaust pipe #2 extension plus new sealing type clamp assemblies.

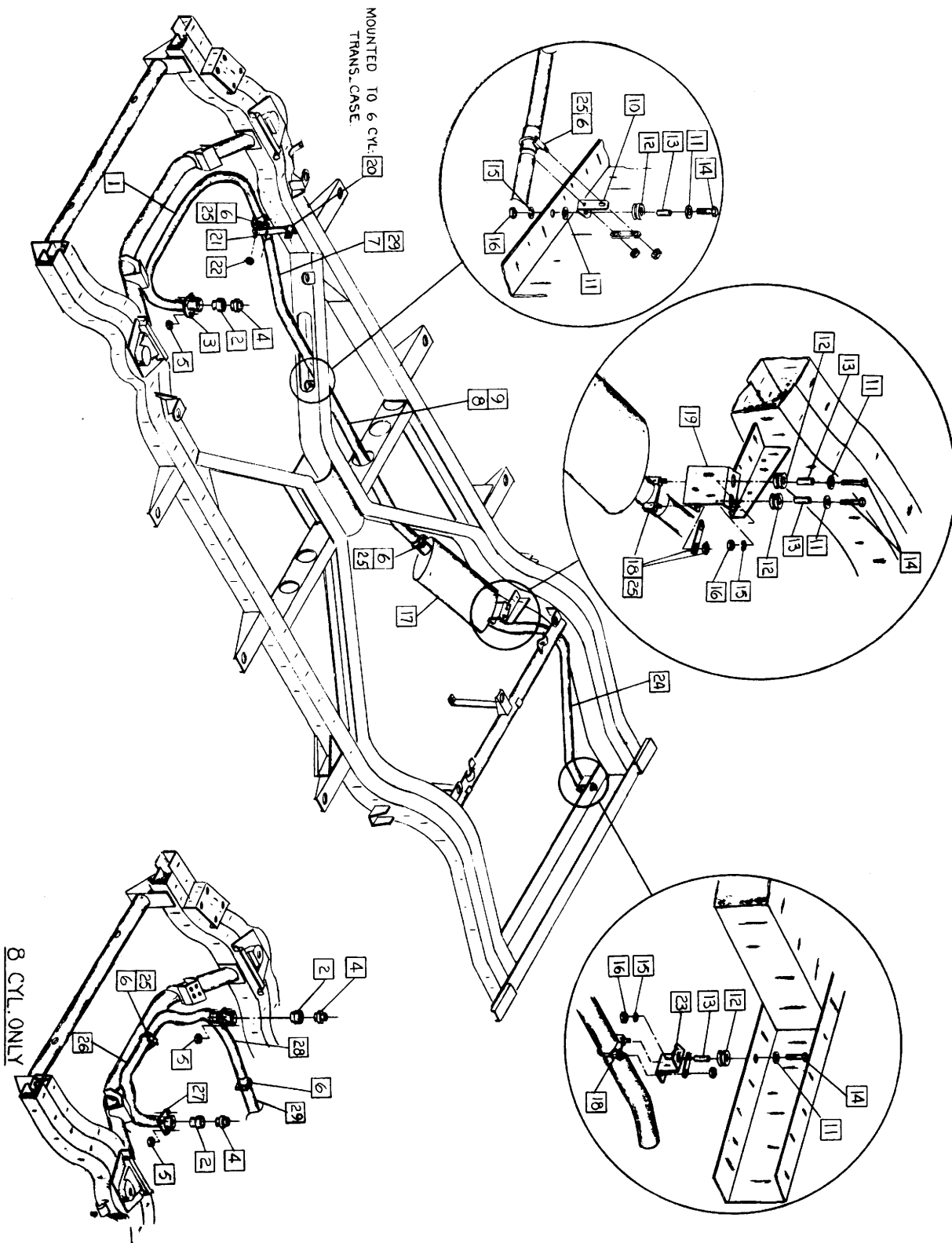
The attached four page Change Notice covers the Taxicab, Marathon and Aerobus complete exhaust systems, and identifies all parts available for service replacement.

IMPORTANT: Refer to this Service Bulletin when ordering any service replacement exhaust system parts for any Checker Taxicab, Marathon or Aerobus after above noted chassis numbers.

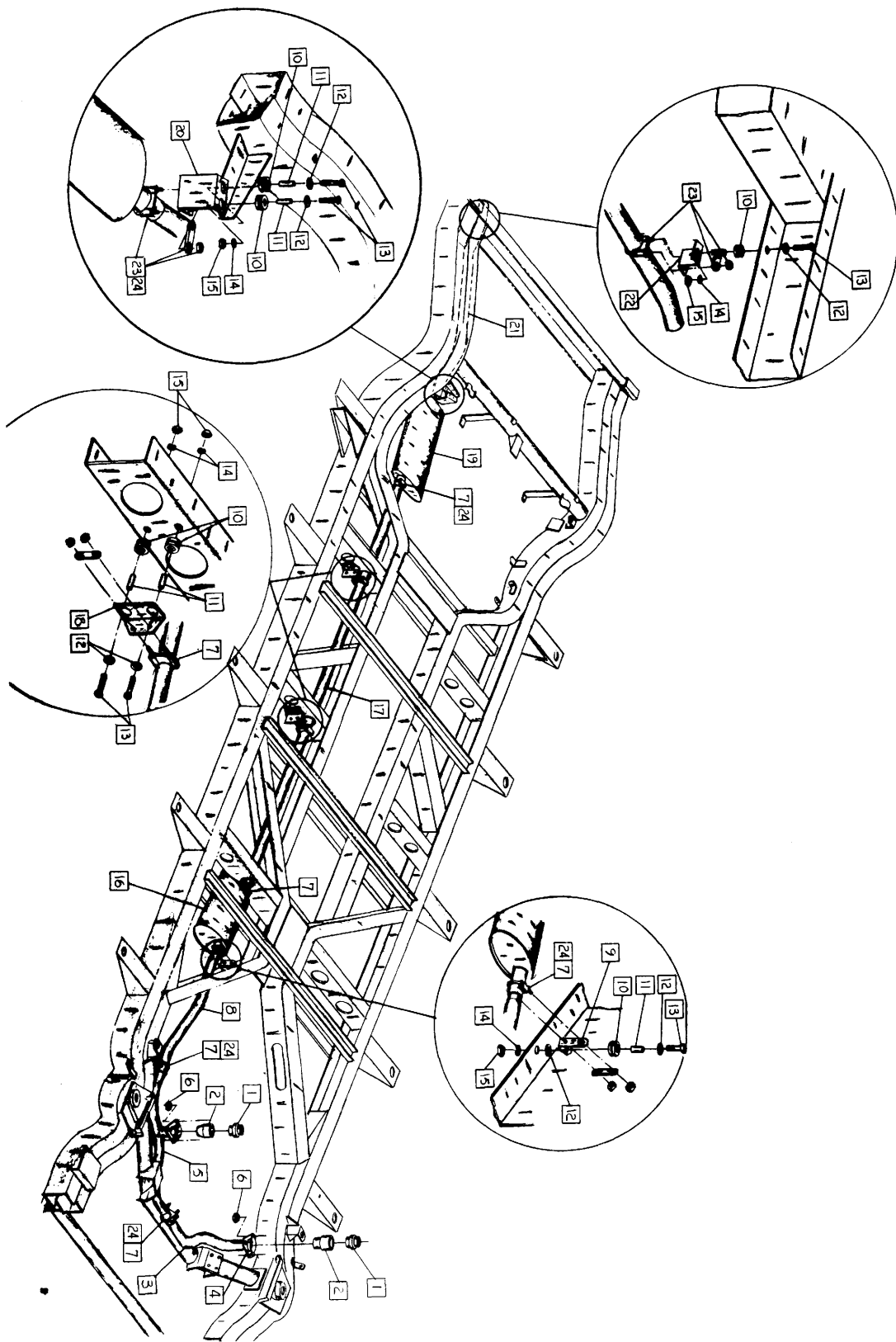
Insert this Service Bulletin in the front or rear of Group 15 in your Checker Parts Catalog dated September, 1971.

Parts and Service Division

Attachments



EXHAUST SYSTEM - TAXICAB AND MARATHON
6 and 8 CYLINDER ENGINES
 (After Chassis No. 33976)
 Illustration No. 51A
 Service Bulletin No. K-11-73



EXHAUST SYSTEM - AEROBUS
8 CYLINDER ENGINE
 (After Chassis No. 34639)
 Illustration No. 52A
 Service Bulletin No. K-11-73