

CHECKER MOTORS CORP. KALAMAZOO, MICH.

EFFECTIVE 1. 1973

SHEET NO. 470 5-1

DWN. CHK.

GRAPHIC ILLUSTRATION

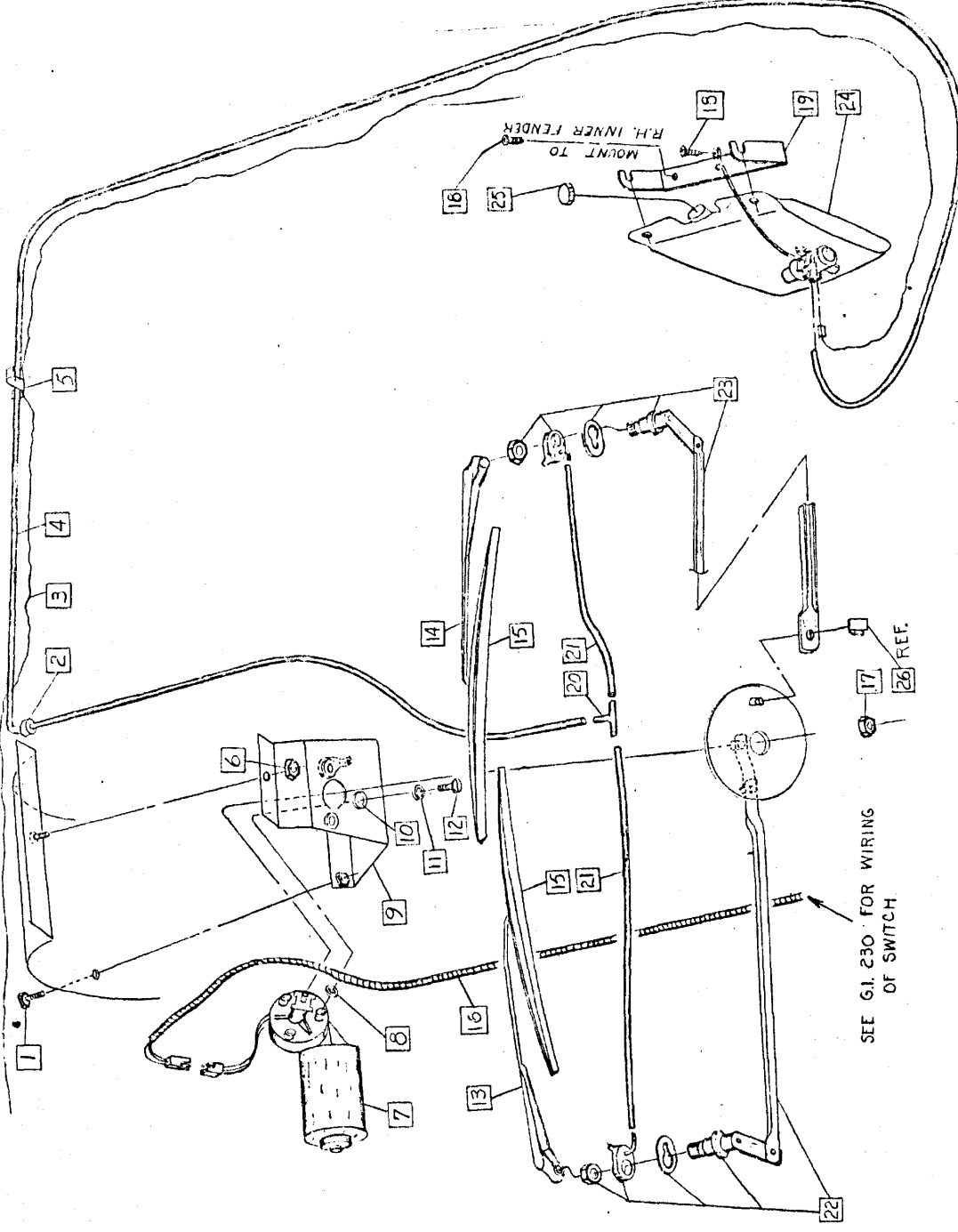
DATE 2-14-74

MODEL: A-11 A-11E A-12E A-12W5 A-12W

WINDSHIELD WIPER AND WASHERS

APPVD.

- 1. 626545 SCREW $\frac{1}{2}$ L.W. ASSEM. (2)
- 2. 634104 GROMMET - SLIT
- 3. PART OF ENG. HARNESS
- 4. 640075 HOSE - RUBBER
- 5. 626797 CLIP
- 6. 626577 NUT $\frac{1}{2}$ - 20 WASHER TYPE LOCK
- 7. 641493 MOTOR ASSEM.
- 8. 626602 WASHER - $\frac{1}{8}$ ID. $\times \frac{1}{4}$ C.D. $\times \frac{1}{2}$ TH. (3)
- 9. 641494 BRKT. ASSEM.
- 10. 626564 GROMMET - $\frac{1}{2}$ I.D. $\times \frac{1}{8}$ O.D. (3)
- 11. 626603 WASHER - $\frac{3}{8}$ ID. $\times \frac{3}{8}$ O.D. $\times \frac{1}{2}$ TH. (3)
- 12. 137952 SCREW - $\frac{1}{4}$ $\times \frac{20$ $\times \frac{3}{8}$ TR. HD. (3)
- 13. 645797 ARM ASSEM. - L.H.
- 14. 645520 ARM ASSEM. - R.H.
- 15. 645516 ELADE ASSEM. (2)
- 16. 647932 HARNESS ASSEM.
- 17. 9416430 NUT $\frac{1}{2}$ - 28 HEX. LOCK
- 18. 161895 SCREW $\frac{1}{2}$ $\times \frac{1}{2}$ PHCR (2)
- 19. 646525 BRACKET - ELEC. W/S WASHER TEE
- 20. 630690 TEE
- 21. 630694 HOSE - RUBBER (2)
- 22. 645795 PIVOT, CONN. ARM & DISC. ASSEM. - L.H.
- 23. 645796 PIVOT, CONN. ARM ASSEM. - R.H.
- 24. 647961 RESERVOIR + PUMP ASM.
- 25. 640587 CAP
- 26. 626605 CLIP



CANCELLED SUPERSEDED BY G1.470 B-2

CHECKER MOTORS CORP. KALAMAZOO, MICH.

SHEET NO. 470 B-2

DWN. DEKKE
CHK. RCP 3-27-74

SUPERSEDES G.I. 470 B-1 PER MEMO # 344

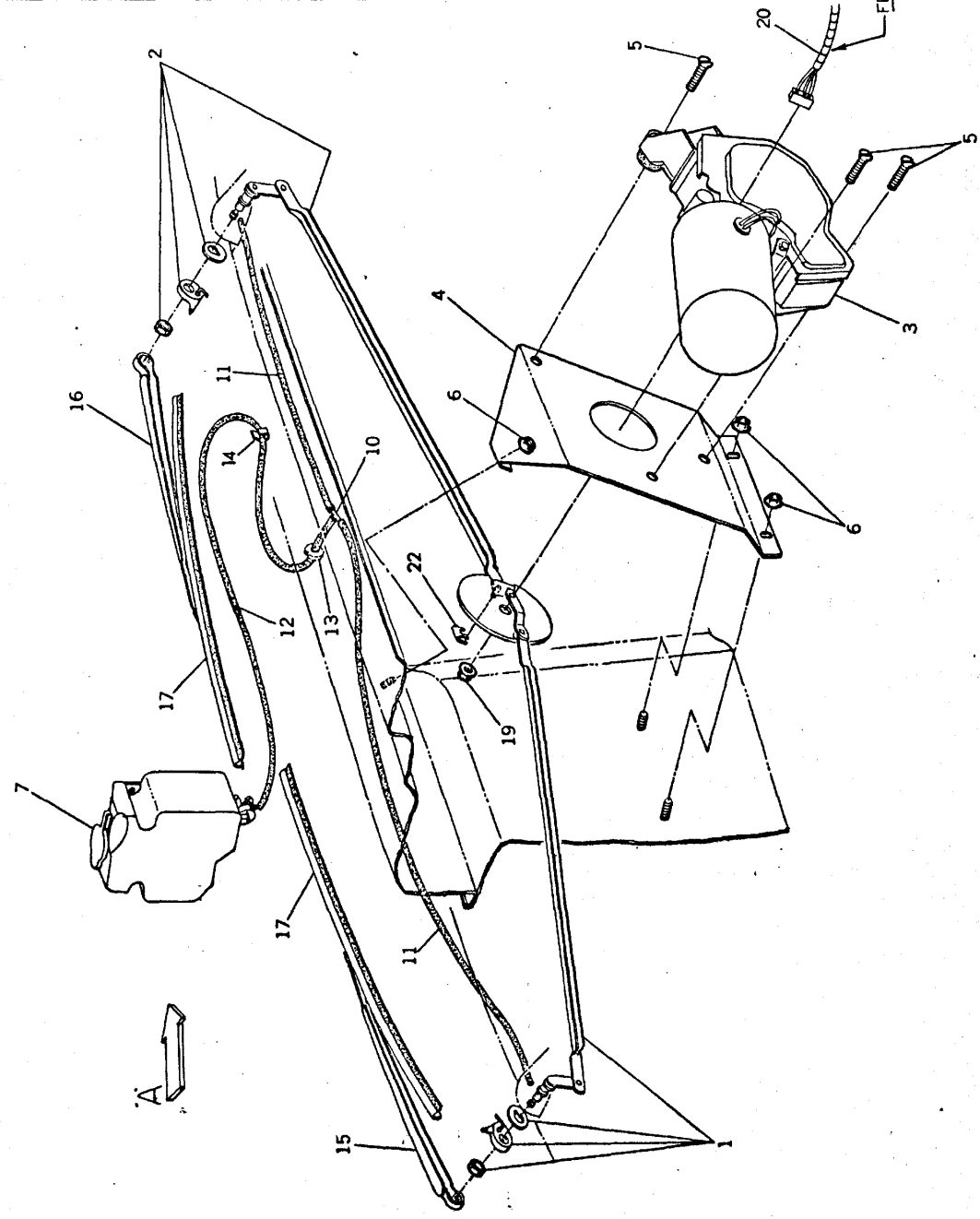
GRAPHIC ILLUSTRATION
WINDSHIELD WIPERS & WASHERS

DATE
2-15-74

A-12WB

MODEL:
A-12
A-12E
A-12W

DATE	CHANGES



CHECKER MOTORS CORP. KALAMAZOO, MICH.

GRAPHIC ILLUSTRATION

DATE

2-14-74

MODEL: A-12

A-12E

A-12W

DWN. DENKER

CHK. REP 2-27-74

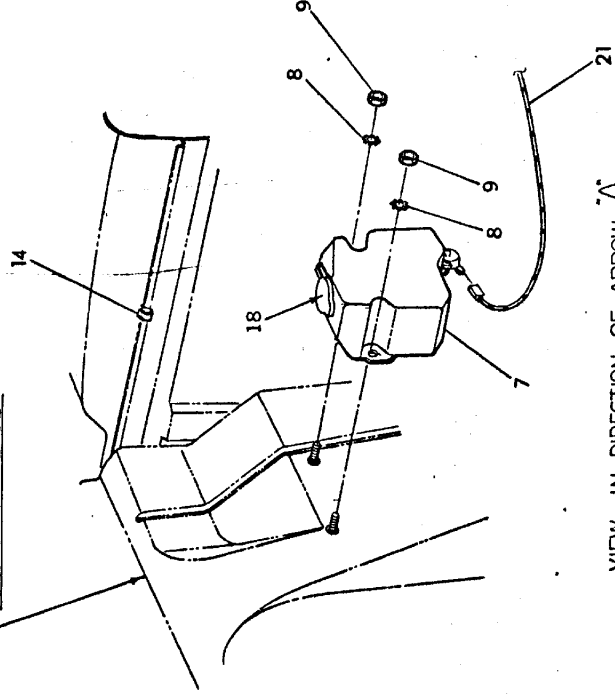
SHEET NO. 470B-3

WINDSHIELD WIPERS + WASHERS

SUPERSEDES GI 470 B-1 PER MEMO # 344

- 1 651797 PIVOT, CONN. ARM + DISC ASM. COMP - LH.
- 2 651798 PIVOT, CONN. ARM ASM. COMP. R.H.
- 3 651812 MOTOR ASM. - W/S WIPER
- 4 651796 BRACKET + NUT ASM. - WIPER MOTOR MTG.
- 5 272523 SCREW + L.W. ASM. #10-24 x 1/8 FHCR (3)
- 6 626631 LOCKNUT 1/4 - 20 "WHIZ" (3)
- 7 651816 RESERVOIR + PUMP ASM. - W/S WASHER
- 8 178378 L.W. #10 INT. EXT. TOOTH (2)
- 9 120614 NUT #10-32 HEX. (2)
- 10 630690 TEE - CONN - 1/8 x 3/16 x 1/8
- 11 630694 HOSE - RUBBER 1/8 TEE TO RH. JET (2)
- 12 640075 HOSE - RUBBER 3/16 - 20
- 13 634104 GROMMET - SLIT
- 14 626797 CLIP - WIRE + TUBE
- 15 645797 ARM ASM. - W/S WIPER BLADE LH.
- 16 645520 ARM ASM. - W/S WIPER BLADE R.H.
- 17 645516 BLADE ASM. - W/S WIPER (2)
- 18 MB-105 SOLUTION - W/S WASHER
- 19 9416430 NUT 1/4 - 28 HEX.
- 20 651817 HARNESS ASM. - WINDSHIELD WIPER
- 21 651818 WIRE ASM. - WASHER PUMP FEEDER
- 22 626605 CLIP - ELEC. W/S WIPER CONN. ARM.

R.H. FRONT FENDER



VIEW IN DIRECTION OF ARROW 'A'

DATE	CHANGES
7-29-74	651818 - 626605 ADDED